



## Table of Contents

<b>General Information</b> .....	<b>2-5</b>	<b>Cam and Groove Fittings (continued)</b> .....	<b>29-45</b>
Crimp Fittings .....	3	Tank Car	
Cam and Groove General Information .....	4-5	Adapters.....	32
<b>Adapters</b> .....	<b>6-8</b>	Railroad Connections.....	32-33
Type A Dixon / Boss-Lock.....	6	Elbows	
Type E Dixon / Boss-Lock .....	7	45°.....	33
Type F Dixon / Boss-Lock .....	8	90°.....	33
<b>Plugs</b> .....	<b>9</b>	Type A, D, E, C, F, B .....	34-35
<b>Couplers</b> .....	<b>10-18</b>	Reducing Couplings	
Type C Dixon.....	10	Type A, D, E, C, F, B .....	35-36
Type C Boss-Lock .....	11	Coupler x Adapter .....	37
Type C EZ Boss-Lock.....	12	Boss-Lock .....	38
Type D Dixon.....	13	EZ Boss-Lock.....	38
Type D Boss-Lock .....	14	Lockable Dust Caps .....	38
Type D EZ Boss-Lock.....	15	Dixon Spool	
Type B Dixon.....	16	Adapters.....	39
Type B Boss-Lock .....	17	Couplers.....	39
Type B EZ Boss-Lock.....	18	Boss-Lock Spool Couplers.....	39
<b>Dust Caps</b> .....	<b>19-21</b>	Adapters and Couplers x 150# Flange.....	40
Type DC Dixon .....	19	Inline Sight Glass .....	40
Type DC Boss-Lock.....	20	Specialty Items.....	41
Type DC EZ Boss-Lock.....	21	TTMA Flange Adapters.....	41
<b>Global Cam and Groove</b> .....	<b>22-25</b>	TTMA Flange Extensions .....	42
Adapters		Adapter/Coupler x Round Tank Truck Flange .....	42
Type A, E, F.....	22	22½° Adapter/Coupler x Round Tank Truck Flange .....	42
Dust Plugs .....	23	Round Tank Truck Flange Gaskets .....	42
Couplers		Dixon Vapor Recovery Couplers .....	43
Type B, C, D.....	23	Cam and Groove Welding	
Dust Caps.....	24	Adapters.....	44
Handle Assemblies.....	24	Couplers.....	44-45
Spool Couplers		<b>Accessories</b> .....	<b>46-48</b>
Type DD, AA.....	25	Handle Assemblies.....	46-47
Jump Size.....	25	Pull Rings .....	47
<b>Polypropylene</b> .....	<b>26-28</b>	Clips and Lanyards.....	47-48
Adapters .....	26	Chains .....	48
Couplers .....	27	Hand Swager with Cutter .....	48
Replacement Parts.....	28	<b>Gaskets</b> .....	<b>49-51</b>
<b>Cam and Groove Fittings</b> .....	<b>29-45</b>	Cam and Groove .....	49
Swaged .....	29	Fuel .....	49
Notched		PTFE .....	50
Ferrules.....	29	Dimensions .....	51
Couplers.....	30	Color Codes .....	51
Adapters.....	30		
Notched NOS			
Ferrules.....	31		
Couplers.....	31		
Adapters.....	31		

## Crimp Fittings



Only use the crimp style shanks with the crimp style sleeves and ferrules.

Due to differences in dimensions and tolerances for safety reasons, do not interchange other manufacturer's products with Dixon products.



### Features:

- sleeves and ferrules have a 50% larger range than the 'CF' series ferrules
- The crimp range is stamped directly on the sleeves and ferrules to allow for easier and proper assembly.
- all shanks have a machined finish

## Cam and Groove

### Sizes:

- 1"
- 1½"
- 2"
- 3"
- 4"
- 6"

### Materials:

- aluminum
- brass
- stainless steel



### Styles offered:

- Dixon type C couplers
- EZ Boss-Lock type C couplers
- Dixon type E adapters
- global type C couplers
- global type E adapters

## Sleeves and Ferrules

### Sizes: Ranges:

- |       |                        |
|-------|------------------------|
| • 1"  | • 1-12/64" to 1-47/64" |
| • 1½" | • 1-40/64" to 2-17/64" |
| • 2"  | • 2-16/64" to 3-5/64"  |
| • 3"  | • 3-15/64" to 4-4/64"  |
| • 4"  | • 4-15/64" to 5-4/64"  |
| • 6"  | • 6-17/64" to 7-12/64" |

### Materials:

- carbon steel
- 304 stainless steel
- aluminum (sleeves)

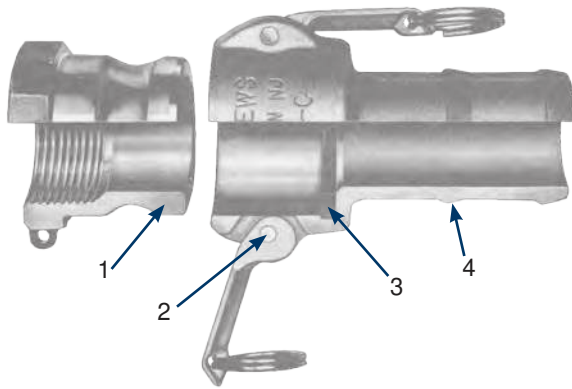


### Styles offered:

- sleeve
- ferrule

Please contact Dixon at 800.355.1991 for specific crimp recommendations.

## Dixon



1. Precision machined to rigid tolerances.
2. Durable stainless steel cam arm pins will not rust or bind, for greater strength and safety.
3. Recess holds gasket firmly in place - ensures proper placement.
4. Long shank design allows proper banding, thus eliminating the major cause of hose damage.

### Operation of Cam and Groove

1. To make connection, simply slide the adapter into the coupler and with normal hand pressure, press the cam levers down.
2. Uncoupling is as quick and simple as coupling. Just lift the cam arms and remove the adapter.

## Boss-Lock



Boss-Lock cam and groove provides a *unique patented safety feature*. The cast-in lugs allow safety clips to be attached once the lugs are passed through slots in the special cam lever arms. These clips prevent the coupler from being unlocked until they are removed, providing a *positive locking action*.

### Pull Ring Safety Clips



Dixon has developed the pull ring safety clip to simplify the locking action on Boss-Lock couplers. No more inserting clips or dangling lanyards, just a twist and it's locked, giving you a low profile *positive locking action*.

### Buy with Confidence

Boss-Lock investment stainless steel cam arms are *guaranteed!* Should you **ever** break a Boss-Lock investment stainless steel cam arm, simply return it to the nearest warehouse for a *free* replacement.

### Ordering System



Size represents the coupler or adapter and hose or pipe end. (i.e. 200 = 2") If the coupling is a reducing size, the coupler or adapter is the first size. (i.e. 4030-C is 4" coupler to 3" hose shank).

## Specifications on Dixon Cam and Groove

### Specifications:

- Dixon, Boss-Lock and EZ Boss-Lock cam and groove couplers and adapters are produced to interchange with all product produced to Commercial Item Description A-A-59326B.
- No standard exists for the 1/2" and 8" fittings, and generally these sizes do not interchange with other manufacturers.
- Dust caps and dust plugs are **not** to be used in pressure applications for safety and environmental reasons.
- *Designed for use with liquids*, consult Dixon for specific recommendations.

### Pressure Ratings:

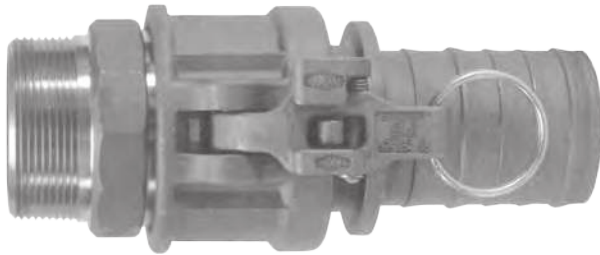
Recommendations based on the use of mating Dixon fittings at ambient temperature (70°F) with standard Buna-N Seal installed. For use at elevated temperature or other unusual operating conditions, consult the factory. Dixon, Boss-Lock and EZ Boss-Lock couplers and adapters maximum working pressure are as follows:

**SAFETY  
ALERT**

Size	1/2"	3/4" thru 2"	2 1/2"	3"	4"	5" and 6"	8"
PSI	150	250	150	125	100	75	50

## EZ Boss-Lock

No more fumbling with clamps, wire, clips or pins.  
Just close the handles and the locking *mechanism is engaged*.

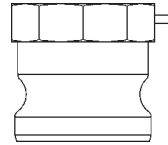


Unlike other safety couplings . . .

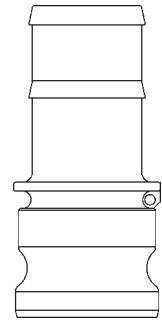
- *The EZ Boss-Lock is extremely easy to open!!!*  
The release lever is under your thumb when you want to open the fitting. Ergonomic.
- *The EZ Boss-Lock is resistant to accidental disconnection when being dragged.* The release lever opens in the direction opposite to the cam arm, so movements that tend to open the release lever also tend to close the cam arm!!!
- *The EZ Boss-Lock alerts you if it is not properly engaged.*  
If the rotating lever is not flush with the handle, it is not properly engaged.
- *The EZ Boss-Lock has no sliding pins to jam.*  
The EZ Boss-Lock's rotating action helps keep the locking device free of debris.
- *The EZ Boss-Lock has no sliding pins to pop open.*  
The EZ Boss-Lock is designed to protect critical parts from impact and to withstand rugged use.
- *The EZ Boss-Lock can be supplied with special shanks custom suited to your needs.* The EZ Boss-Lock is available with swaged and PF shank designs for hard to couple chemical hoses.
- *The EZ Boss-Lock cam arm assemblies are made of investment cast stainless steel with plated carbon steel pull rings.*
- *The EZ Boss-Lock is easier to insert into the hose tubes on tank trucks, and easier to use in restricted spaces.*  
This is due to the smaller maximum OD and a more snag free exterior.
- *The EZ Boss-Lock cam arm assemblies can be retrofitted onto undamaged stainless steel Boss-Lock.* This allows you to protect your investment in stainless steel Boss-Lock couplings while you upgrade.
- *The EZ Boss-Lock is made in the USA.*

## Cam and Groove Line Drawings

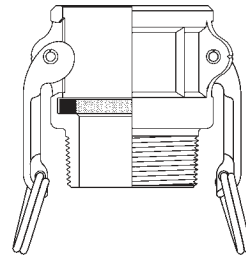
Line drawings are representative of the Dixon line of cam and groove.



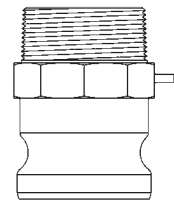
**Type A**  
male adapter x female NPT



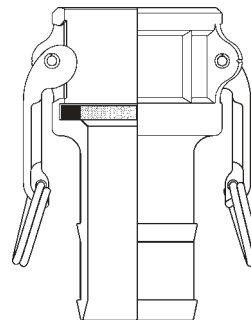
**Type E**  
male adapter x hose shank



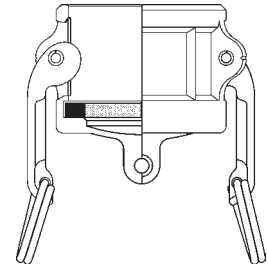
**Type B**  
female coupler x male NPT



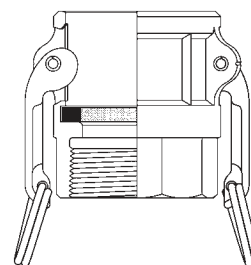
**Type F**  
male adapter x male NPT



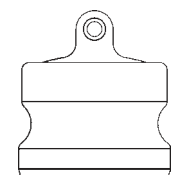
**Type C**  
female coupler x hose shank



**Type DC \***  
dust cap



**Type D**  
female coupler x female NPT



**Type DP \***  
dust plug

\* Dust caps and dust plugs are **not** to be used in pressure applications for safety and environmental reasons.

**SAFETY  
ALERT**

**Warning !**

**Under no circumstances** should cam and groove couplings be used for compressed air or steam service!

**SAFETY  
ALERT**

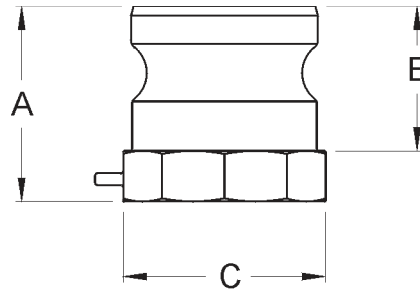
## Dixon / Boss-Lock Type A Adapters



male adapter x female NPT  
brass

Size	356T6 Aluminum Part #	Aluminum Hard Coat Part #	Brass Part #	Unplated Iron Part #	Plated Iron Part #	316 SS Part #
1/2"	50-A-AL <sup>2</sup>	---	50-A-BR	---	---	50-A-SS
3/4" x 1/2"	7550-A-AL <sup>2</sup>	---	7550-A-BR	---	---	7550-A-SS
3/4"	75-A-AL <sup>2</sup>	---	75-A-BR	---	75-A-PM	75-A-SS
1"	100-A-AL <sup>2</sup>	---	100-A-BR	---	100-A-PM	100-A-SS
1 1/4"	125-A-AL	---	125-A-BR	---	---	125-A-SS
1 1/2"	150-A-AL	150-A-ALH	150-A-BR	150-A-MI	150-A-PM	150-A-SS
2"	200-A-AL	200-A-ALH	200-A-BR	200-A-MI	200-A-PM	200-A-SS
2 1/2"	250-A-AL	---	250-A-BR	---	---	250-A-SS
3"	300-A-AL	300-A-ALH	300-A-BR	300-A-MI	300-A-PM	300-A-SS
4"	400-A-AL	400-A-ALH	400-A-BR	400-A-MI	400-A-PM	400-A-SS
5"	500-A-AL	---	500-A-BR	500-A-MI	---	500-A-SS
6"	600-A-AL	600-A-ALH	600-A-BR	---	600-A-PM	600-A-SS
8" DIX	800-A-AL <sup>1</sup>	---	---	---	---	---
8" BL	801-A-AL <sup>1</sup>	---	---	---	---	---

<sup>1</sup> Dixon and Boss-Lock cam and groove couplings *do not interchange in the 8" size.*  
<sup>2</sup> made from 6061-T6 aluminum



### 3576T6 aluminum, brass and iron dimensions

Size	1/2"	3/4" x 1/2"	3/4"	1"	1 1/4"	1 1/2"	2"	2 1/2"	3"	4"	5"	6"	8" DIX	8" BL
A overall length	1-11/16	1-11/16	1-5/8	2	2-3/16	2-3/16	2-5/8	2 3/4	2 3/4	3-1/8	3-3/8	3-3/8	4-13/16	4-7/16
B adapter length	1-1/16	1-1/16	1-1/16	1-5/16	1-9/16	1-5/8	1-7/8	1-15/16	2	2-1/16	2 1/4	2 1/4	3-9/16	2 1/4
C distance across flats	1	1-5/16	1-3/8	1 1/2	2	2-9/32	2 3/4	3 1/4	3-7/8	5	7 3/4	7 3/4	10-5/8	10-5/8

### 316 stainless steel dimensions

Size	1/2"	3/4" x 1/2"	3/4"	1"	1 1/4"	1 1/2"	2"	2 1/2"	3"	4"	5"	6"	8" DIX	8" BL
A overall length	1-5/8	1-19/32	1 1/2	1-31/32	2-7/32	2-3/16	2-19/32	2-11/16	2-29/32	3-11/64	3 1/4	3 1/4	---	---
B adapter length	1-1/16	1	1	1-5/16	1-9/16	1-5/8	1-7/8	1-15/16	2	2-1/16	2-5/16	2 1/4	---	---
C distance across flats	1	1-5/16	1-5/16	1 1/2	1-15/16	2-9/32	2-11/16	3 1/4	3 3/4	5	6-17/32	6 3/4	---	---



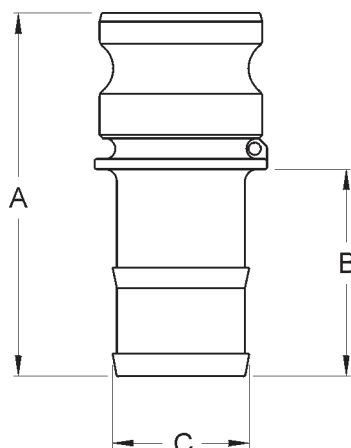
## Dixon / Boss-Lock Type E Adapters

Size	356T6 Aluminum Part #	Aluminum Hard Coat Part #	Brass Part #	Unplated Iron Part #	Plated Iron Part #	316 SS Part #
1/2"	<b>50-E-AL</b>	---	<b>50-E-BR</b>	---	---	<b>50-E-SS</b>
3/4" x 1/2"	<b>7550-E-AL</b>	---	---	---	---	<b>7550-E-SS</b>
3/4"	<b>75-E-AL</b>	---	<b>75-E-BR</b>	---	<b>75-E-PM</b>	<b>75-E-SS</b>
1"	<b>100-E-AL</b>	---	<b>100-E-BR</b>	---	<b>100-E-PM</b>	<b>100-E-SS</b>
1 1/4"	<b>125-E-AL</b>	---	<b>125-E-BR</b>	---	<b>125-E-PM</b>	<b>125-E-SS</b>
1 1/2"	<b>150-E-AL</b>	<b>150-E-ALH</b>	<b>150-E-BR</b>	<b>150-E-MI</b>	<b>150-E-PM</b>	<b>150-E-SS</b>
2"	<b>200-E-AL</b>	<b>200-E-ALH</b>	<b>200-E-BR</b>	<b>200-E-MI</b>	<b>200-E-PM</b>	<b>200-E-SS</b>
2 1/2"	<b>250-E-AL</b>	---	<b>250-E-BR</b>	---	---	<b>250-E-SS</b>
3"	<b>300-E-AL</b>	<b>300-E-ALH</b>	<b>300-E-BR</b>	<b>300-E-MI</b>	<b>300-E-PM</b>	<b>300-E-SS</b>
4"	<b>400-E-AL</b>	<b>400-E-ALH</b>	<b>400-E-BR</b>	<b>400-E-MI</b>	<b>400-E-PM</b>	<b>400-E-SS</b>
5"	<b>500-E-AL</b>	---	---	---	---	<b>500-E-SS</b>
6"	<b>600-E-AL</b>	<b>600-E-ALH</b>	<b>600-E-BR</b>	---	<b>600-E-PM</b>	<b>600-E-SS</b>
8" DIX	<b>800-E-AL</b> <sup>1</sup>	---	---	---	---	---
8" BL	<b>801-E-AL</b> <sup>1</sup>	---	---	---	---	---



male adapter x hose shank  
brass

<sup>1</sup> Dixon and Boss-Lock cam and groove couplings *do not interchange in the 8" size.*



**3576T6 aluminum, brass and iron dimensions**

Size	1/2"	3/4" x 1/2"	3/4"	1"	1 1/4"	1 1/2"	2"	2 1/2"	3"	4"	5"	6"	8" DIX	8" BL
A overall length	2 1/2	2 3/4	3-15/16	4-5/8	4-7/8	5-1/16	6-1/32	6 1/4	6-29/32	7-3/16	7-5/32	9-5/32	11-13/16	11 1/4
B hose shank length	1-7/16	1-5/16	2-3/8	2-15/16	2-13/16	2-29/32	3-3/8	3 3/4	4-7/32	4 1/4	4 1/4	6-1/32	8	8
C hose shank OD	9/16	19/32	27/32	1-1/16	1-11/32	1-9/16	2-1/16	2-5/8	3-3/32	4-3/32	5-3/32	6-1/16	8-1/16	8-1/16

**316 stainless steel dimensions**

Size	1/2"	3/4" x 1/2"	3/4"	1"	1 1/4"	1 1/2"	2"	2 1/2"	3"	4"	5"	6"	8" DIX	8" BL
A overall length	2-7/16	2 3/4	3-15/32	4-11/16	4-7/8	4-31/32	5 3/4	6 1/4	6-7/8	6-7/8	7 11/64	9-29/32	---	---
B hose shank length	1 3/4	15/16	2-3/8	2-15/16	4-7/8	2-29/32	3-3/8	3 3/4	4-3/16	4 1/4	4 1/4	6-3/32	---	---
C hose shank OD	9/16	19/32	1-5/16	1-1/16	1-11/32	1-9/16	2-1/16	2-5/8	3-3/32	4-3/32	5-3/32	6-1/16	---	---

## Dixon / Boss-Lock Type F Adapters

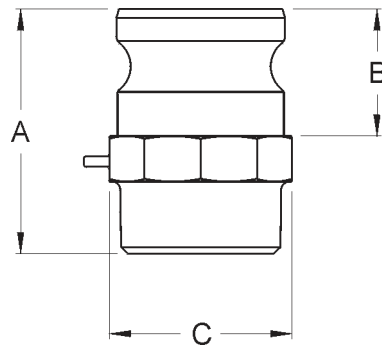


male adapter x male NPT  
brass

Size	356T6 Aluminum Part #	Aluminum Hard Coat Part #	Brass Part #	Unplated Iron Part #	Plated Iron Part #	316 SS Part #
1/2"	<b>50-F-AL</b>	---	<b>50-F-BR</b>	---	---	<b>50-F-SS</b>
3/4" x 1/2"	<b>7550-F-AL</b>	---	<b>7550-F-BR</b>	---	---	<b>7550-F-SS</b>
3/4"	<b>75-F-AL</b>	---	<b>75-F-BR</b>	---	<b>75-F-PM</b>	<b>75-F-SS</b>
1"	<b>100-F-AL</b>	---	<b>100-F-BR</b>	---	<b>100-F-PM</b>	<b>100-F-SS</b>
1 1/4"	<b>125-F-AL</b>	---	<b>125-F-BR</b>	---	---	<b>125-F-SS</b>
1 1/2"	<b>150-F-AL</b>	<b>150-F-ALH</b>	<b>150-F-BR</b>	<b>150-F-MI</b>	<b>150-F-PM</b>	<b>150-F-SS</b>
2"	<b>200-F-AL</b>	<b>200-F-ALH</b>	<b>200-F-BR</b>	<b>200-F-MI</b>	<b>200-F-PM</b>	<b>200-F-SS</b>
2 1/2"	<b>250-F-AL</b>	---	<b>250-F-BR</b>	---	---	<b>250-F-SS</b>
3"	<b>300-F-AL</b>	<b>300-F-ALH</b>	<b>300-F-BR</b>	<b>300-F-MI</b>	<b>300-F-PM</b>	<b>300-F-SS</b>
4"	<b>400-F-AL</b>	<b>400-F-ALH</b>	<b>400-F-BR</b>	<b>400-F-MI</b>	<b>400-F-PM</b>	<b>400-F-SS</b>
5"	<b>500-F-AL</b>	---	---	---	---	---
6"	<b>600-F-AL</b>	<b>600-F-ALH</b>	<b>600-F-BR</b>	---	<b>600-F-PM</b>	<b>600-F-SS</b>
8" DIX	<b>800-F-AL</b> <sup>1</sup>	---	---	---	---	---
8" BL	<b>801-F-AL</b> <sup>1</sup>	---	---	---	---	---

**SAFETY**  
**ALERT**

<sup>1</sup> Dixon and Boss-Lock cam and groove couplings *do not interchange in the 8" size.*



### 356T6 aluminum, brass and iron dimensions

Size	1/2"	3/4" x 1/2"	3/4"	1"	1 1/4"	1 1/2"	2"	2 1/2"	3"	4"	5"	6"	8" DIX	8" BL
A overall length	2-1/8	2 1/2	2 1/2	2-7/8	2-15/16	3-5/32	3-17/32	4-7/16	4-1/8	4-21/32	4 1/2	5-17/32	6-7/8	6-3/8
B adapter length	1-1/16	1-1/16	1-1/16	1-5/16	1-9/16	1-5/8	1-7/8	1-15/16	2	2-1/16	2-5/16	2 1/4	3-9/16	3-1/16
C distance across flats	1	1-5/16	1-3/8	1 1/2	1-7/8	2 1/4	2-11/16	3 1/4	3 3/4	5	6 1/2	8-1/32	10-23/32	10-23/32

### 316 stainless steel dimensions

Size	1/2"	3/4" x 1/2"	3/4"	1"	1 1/4"	1 1/2"	2"	2 1/2"	3"	4"	5"	6"	8" DIX	8" BL
A overall length	2-1/8	2 1/2	2-1/8	2-9/16	3-7/32	3-1/8	3-5/8	4-7/16	4-17/32	4-15/16	---	4-15/16	---	---
B adapter length	1-1/16	1-1/16	1-1/16	1-5/16	1-9/16	1-5/8	1-7/8	1-15/16	2	2-1/16	---	2 1/4	---	---
C distance across flats	1	1-5/16	1-5/16	1 1/2	1-15/16	2 1/4	2-11/16	3 1/4	3 3/4	5	---	7 3/4	---	---



## Dixon / Boss-Lock Type DP Plugs

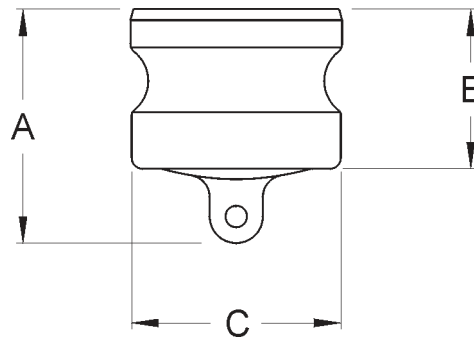
Size	356T6 Aluminum Part #	Aluminum Hard Coat Part #	Brass Part #	Unplated Iron Part #	Plated Iron Part #	316 SS Part #
1/2"	---	---	50-DP-BR	---	---	50-DP-SS
3/4"	75-DP-AL	---	75-DP-BR	---	---	75-DP-SS
1"	100-DP-AL	---	100-DP-BR	---	100-DP-PM	100-DP-SS
1 1/4"	125-DP-AL	---	125-DP-BR	---	125-DP-PM	125-DP-SS
1 1/2"	150-DP-AL	150-DP-ALH	150-DP-BR	150-DP-MI	150-DP-PM	150-DP-SS
2"	200-DP-AL	200-DP-ALH	200-DP-BR	200-DP-MI	200-DP-PM	200-DP-SS
2 1/2"	250-DP-AL	---	---	---	250-DP-PM	250-DP-SS
3"	300-DP-AL	300-DP-ALH	300-DP-BR	300-DP-MI	300-DP-PM	300-DP-SS
4"	400-DP-AL	400-DP-ALH	400-DP-BR	400-DP-MI	400-DP-PM	400-DP-SS
5"	500-DP-AL	---	---	---	---	---
6"	600-DP-AL	600-DP-ALH	600-DP-BR	---	---	600-DP-SS
8" DIX	800-DP-AL <sup>1</sup>	---	---	---	---	---
8" BL	801-DP-AL <sup>1</sup>	---	---	---	---	---



dust plug  
brass

<sup>1</sup> Dixon and Boss-Lock cam and groove couplings do not interchange in the 8" size.

Dust caps and dust plugs are not to be used in pressure applications for safety and environmental reasons. SAFETY ALERT



### 356T6 aluminum, brass and iron dimensions

Size	1/2"	3/4"	1"	1 1/4"	1 1/2"	2"	2 1/2"	3"	4"	5"	6"	8" DIX	8" BL
A overall length	1-7/16	1-23/32	1-15/16	2-3/8	2-13/32	2-7/8	2-7/8	2-13/16	3-1/16	3-3/8	3-1/16	5-3/16	4-11/16
B adapter length	15/16	1-3/32	1-3/8	1-5/8	1-5/8	1-7/8	1-31/32	2	2-1/16	2-11/32	2-1/8	3-9/16	3-1/16
C outside OD	15/16	1 1/4	1-7/16	1-25/32	2-1/8	2 1/2	2-31/32	3-17/32	4-23/32	5-23/32	6-15/16	9-1/8	8-15/16

### 316 stainless steel dimensions

Size	1/2"	3/4"	1"	1 1/4"	1 1/2"	2"	2 1/2"	3"	4"	5"	6"	8" DIX	8" BL
A overall length	1-7/16	1-11/16	1-15/16	2 1/4	2 1/2	2 3/4	2-7/8	2-27/32	3-1/8	---	3 1/2	---	---
B adapter length	15/16	1-1/16	1-3/8	1-9/16	1-5/8	1-7/8	1-7/8	2	2-1/16	---	2 1/4	---	---
C outside OD	15/16	1 1/4	1-7/16	1-25/32	2-1/8	2 1/2	2-31/32	3-17/32	4-23/32	---	6-15/16	---	---

## Dixon Type C Couplers



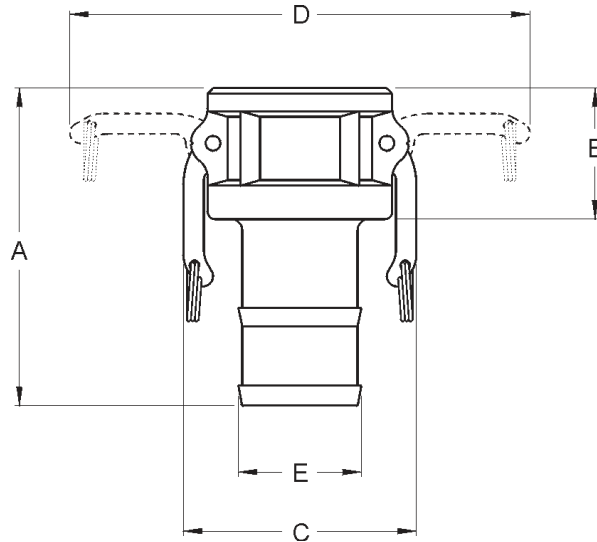
female coupler x hose shank  
aluminum

Size	356T6 Aluminum Part #	Aluminum Hard Coat Part #	Brass Part #	Unplated Iron Part #	316 SS Part #
1/2"	<b>50-C-AL</b>	---	<b>50-C-BR</b>	---	<b>50-C-SS</b>
3/4"	<b>75-C-AL</b>	---	<b>75-C-BR</b>	---	<b>75-C-SS</b>
1"	<b>100-C-AL</b>	---	<b>100-C-BR</b>	---	<b>100-C-SS</b>
1 1/4"	<b>125-C-AL</b> <sup>2</sup>	---	<b>125-C-BR</b> <sup>2</sup>	---	<b>125-C-SS</b>
1 1/2"	<b>150-C-AL</b>	<b>150-C-ALH</b>	<b>150-C-BR</b>	<b>150-C-MI</b>	<b>150-C-SS</b>
2"	<b>200-C-AL</b>	<b>200-C-ALH</b>	<b>200-C-BR</b>	<b>200-C-MI</b>	<b>200-C-SS</b>
2 1/2"	<b>250-C-AL</b> <sup>2</sup>	---	<b>250-C-BR</b> <sup>2</sup>	---	<b>250-C-SS</b>
3"	<b>300-C-AL</b>	<b>300-C-ALH</b>	<b>300-C-BR</b>	<b>300-C-MI</b>	<b>300-C-SS</b>
4"	<b>400-C-AL</b>	<b>400-C-ALH</b>	<b>400-C-BR</b>	<b>400-C-MI</b>	<b>400-C-SS</b>
5"	<b>500-C-AL</b>	---	---	---	<b>500-C-SS</b>
6"	<b>600-C-AL</b>	<b>600-C-ALH</b>	<b>600-C-BR</b>	---	<b>600-C-SS</b>
8"	<b>800-C-AL</b> <sup>1</sup>	---	---	---	---

**SAFETY ALERT**

<sup>1</sup> Dixon and Boss-Lock cam and groove couplings *do not interchange in the 8" size*. The 8" Dixon design has 4 cam arms.

<sup>2</sup> Parts are manufactured in Canada.



### 3576T6 aluminum, brass and iron dimensions

Size	1/2"	3/4"	1"	1 1/4"	1 1/2"	2"	2 1/2"	3"	4"	5"	6"	8"
A overall length	2-5/8	3 3/4	4 1/2	4-5/16	4-7/8	5-19/32	5 1/2	6-17/32	6-9/16	6-9/16	8-21/32	11-13/16
B coupler length	1-3/16	1 1/4	1-9/16	1-15/16	1-31/32	2-7/32	2-7/32	2-5/16	2-5/16	2-5/16	2-5/8	3-13/16
C distance across closed cam arms	1-17/32	2-1/8	2-7/16	3-3/8	3-9/16	3-15/16	4-5/8	5-15/32	6-9/16	7-9/16	10-3/32	12-1/32
D distance across open cam arms	2-5/8	4-5/16	5-3/16	7-7/16	7-5/8	8-1/32	8-9/16	10-3/32	11-3/16	12-3/16	16 1/4	19-31/32
E hose shank OD	19/32	27/32	1-1/16	1-11/32	1-9/16	2-1/16	2-5/8	3-3/32	4-3/32	5-3/32	6-1/16	8-3/32

### 316 stainless steel dimensions

Size	1/2"	3/4"	1"	1 1/4"	1 1/2"	2"	2 1/2"	3"	4"	5"	6"	8"
A overall length	3-7/32	3-11/16	4 1/2	4-5/8	4-13/16	5-19/32	6-1/16	6-7/16	6-17/32	7-3/8	8-11/16	---
B adapter length	1-7/32	1 1/4	1-9/16	1-29/32	1-29/32	2-7/32	2 1/4	2 1/4	2-9/32	2-7/16	2-19/32	---
C distance across closed cam arms	1-17/32	2-1/8	2-7/16	3 1/4	3-9/16	3-15/16	4-7/16	5-15/32	5-15/32	7-9/16	10-3/32	---
D distance across open cam arms	2-5/8	4-5/16	5-3/16	7-5/32	7-7/16	7-13/16	8-11/32	9-15/16	11-1/32	12-1/32	16 1/4	---
E hose shank OD	19/32	27/32	1-1/16	1-11/32	1-9/16	2-1/16	2-5/8	3-3/32	4-3/32	5-3/32	6-1/16	---

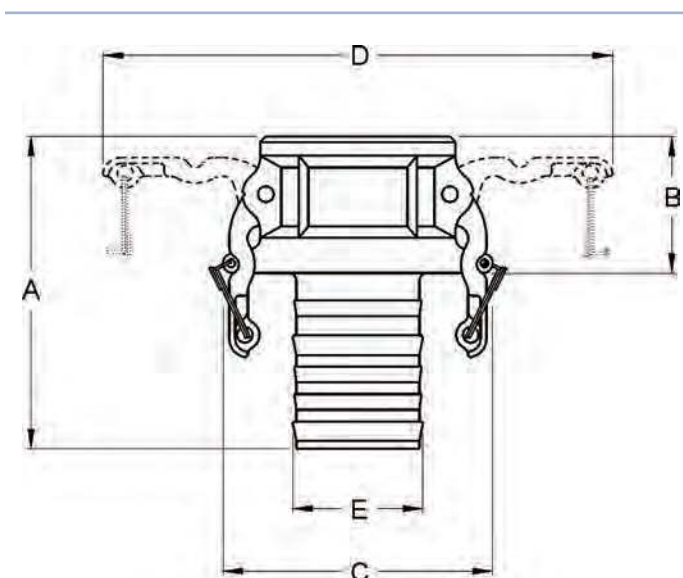
## Boss-Lock Type C Couplers

Size	356T6 Aluminum Part #	Brass Part #	Unplated Iron Part #	316 SS Part #
3/4" x 1/2"	---	---	---	<b>RC050BL</b>
3/4"	<b>AC075</b>	<b>BC075</b>	<b>IC075</b>	<b>RC075BL</b>
1"	<b>AC100</b>	<b>BC100</b>	<b>IC100</b>	<b>RC100BL</b>
1 1/4"	<b>AC125</b>	<b>BC125</b>	---	<b>RC125BL</b>
1 1/2"	<b>AC150</b>	<b>BC150</b>	<b>IC150</b>	<b>RC150BLNO</b>
2"	<b>AC200</b>	<b>BC200</b>	<b>IC200</b>	<b>RC200BLNO</b>
2 1/2"	<b>AC250</b>	<b>BC250</b>	---	---
3"	<b>AC300</b>	<b>BC300</b>	<b>IC300</b>	<b>RC300BL</b>
4"	<b>AC400</b>	<b>BC400</b>	<b>IC400</b>	<b>RC400BLNO</b>
6"	<b>AC600</b>	<b>BC600</b>	<b>IC600</b>	---
8"	<b>AC800</b> <sup>1</sup>	---	---	---



female coupler x hose shank  
aluminum

<sup>1</sup> Dixon and Boss-Lock cam and groove couplings do not interchange in the 8" size. **SAFETY ALERT**  
The 8" Dixon design has 4 cam arms.



### 356T6 aluminum, brass and iron dimensions

Size	3/4" x 1/2"	3/4"	1"	1 1/4"	1 1/2"	2"	2 1/2"	3"	4"	6"	8"
A overall length	---	4-3/8	4-7/8	5-7/16	4-29/32	5-19/32	6-1/16	6-3/16	6 1/2	8-3/8	11-13/16
B coupler length	---	1-13/32	1-17/32	1-29/32	1-31/32	2-7/32	2 1/4	2 1/4	2 1/4	2-5/8	2-13/16
C distance across safety lugs	---	2-19/32	2-29/32	3-5/8	3-29/32	4-5/16	4-13/16	5-9/16	6-11/16	9-5/8	11-5/8
D distance across open cam arms	---	5-13/32	5-9/16	7-15/32	7-25/32	8-5/32	8-21/32	9-29/32	11	16-5/32	18-5/32
E hose shank OD	---	27/32	1-1/16	1-11/32	1-11/16	2-1/16	2-19/32	3-7/32	4-3/32	6-3/32	8-1/16

### 316 stainless steel dimensions

Size	3/4" x 1/2"	3/4"	1"	1 1/4"	1 1/2"	2"	2 1/2"	3"	4"	6"	8"
A overall length	3-3/32	3-7/8	4-29/32	5-7/16	5 1/2	5-5/16	---	6-15/32	7	---	---
B adapter length	1-5/8	1-9/32	1-9/16	1-29/32	1-29/32	2-3/16	---	2-9/32	2-5/16	---	---
C distance across safety lugs	2-25/32	2-25/32	2-29/32	3-5/8	3-29/32	4-5/16	---	5-9/16	6-11/16	---	---
D distance across open cam arms	5-13/32	5-13/32	5-9/16	7-15/32	7-25/32	8-5/32	---	9-29/32	11	---	---
E hose shank OD	19/32	27/32	1-1/16	1-11/32	1-19/32	2-3/32	---	3-3/32	4-3/32	---	---

## EZ Boss-Lock Type C Couplers

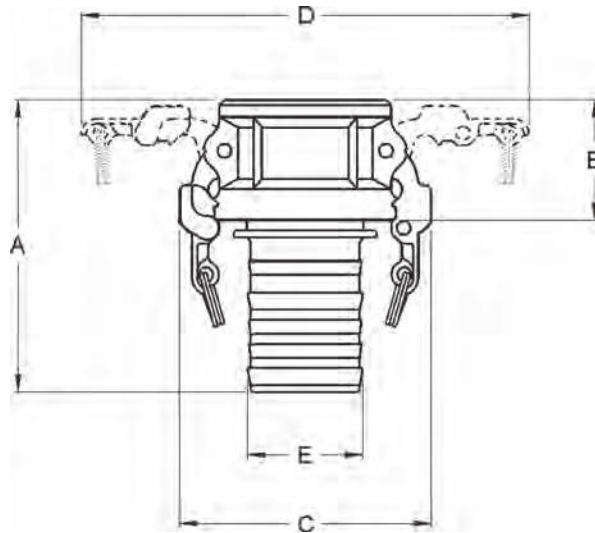


female coupler x hose shank  
aluminum

Size	356T6 Aluminum Part #	Brass Part #	316 SS Part #
3/4" x 1/2"	---	---	<b>RC050EZ</b>
3/4"	<b>AC075EZ</b>	<b>BC075EZ</b>	<b>RC075EZ</b>
1"	<b>AC100EZ</b>	<b>BC100EZ</b>	<b>RC100EZ</b>
1 1/4"	---	<b>BC125EZ</b>	<b>RC125EZ</b>
1 1/2"	<b>AC150EZ</b>	<b>BC150EZ</b>	<b>RC150EZNO</b>
2"	<b>AC200EZ</b>	<b>BC200EZ</b>	<b>RC200EZNO</b>
2 1/2"	<b>AC250EZ</b>	---	---
3"	<b>AC300EZ</b>	<b>BC300EZ</b>	<b>RC300EZ</b>
4"	<b>AC400EZ</b>	<b>BC400EZ</b>	<b>RC400EZ</b>
6"	<b>AC600EZ</b>	---	<b>RC600EZ</b>
8"	<b>AC800EZ<sup>1</sup></b>	---	---



<sup>1</sup> Dixon and Boss-Lock cam and groove couplings *do not interchange in the 8" size*.  
The 8" Dixon design has 4 cam arms



### 3576T6 aluminum, brass and iron dimensions

Size	3/4" x 1/2"	3/4"	1"	1 1/4"	1 1/2"	2"	2 1/2"	3"	4"	6"	8"
A overall length	---	4-3/8	4-7/8	5-7/16	4-29/32	5-19/32	6-1/16	6-3/16	6 1/2	8-3/8	11-13/16
B coupler length	---	1-13/32	1-17/32	1-29/32	1-31/32	2-7/32	2 1/4	2 1/4	2 1/4	2-5/8	2-13/16
C distance across closed cam arms	---	2-19/32	2-29/32	3-5/8	3-29/32	4-5/16	4-13/16	5-9/16	6-11/16	9-5/8	11-5/8
D distance across open cam arms	---	5-13/32	5-9/16	7-15/32	7-25/32	8-5/32	8-21/32	9-29/32	11	16-5/32	18-5/32
E hose shank OD	---	27/32	1-1/16	1-11/32	1-11/16	2-1/16	2-19/32	3-3/32	4-3/32	6-3/32	8-1/16

### 316 stainless steel dimensions

Size	3/4" x 1/2"	3/4"	1"	1 1/4"	1 1/2"	2"	2 1/2"	3"	4"	6"	8"
A overall length	3-3/32	3-7/8	4 1/2	5-7/16	5-1/16	5-9/16	---	6-15/32	6-9/16	8-11/16	---
B coupler length	1-5/8	1-9/32	1-9/16	1-29/32	2-5/32	2-3/16	---	2-9/32	2-5/16	2-19/32	---
C distance across closed cam arms	2-25/32	2-25/32	2-29/32	3-5/8	3-29/32	4-5/16	---	5-9/16	6-11/16	9-5/8	---
D distance across open cam arms	5-13/32	5-13/32	5-9/16	7-15/32	7-25/32	8-5/32	---	9-29/32	11	16-5/32	---
E hose shank OD	19/32	27/32	1-1/16	1-11/32	1-9/16	2-1/16	---	3-3/32	4-3/32	6-1/16	---

## Dixon Type D Couplers

Size	356T6 Aluminum Part #	Aluminum Hard Coat Part #	Brass Part #	Unplated Iron Part #	316 SS Part #
1/2"	<b>50-D-AL</b>	---	<b>50-D-BR</b>	---	<b>50-D-SS</b>
3/4"	<b>75-D-AL</b>	---	<b>75-D-BR</b>	---	<b>75-D-SS</b>
1"	<b>100-D-AL</b>	---	<b>100-D-BR</b>	---	<b>100-D-SS</b>
1 1/4"	<b>125-D-AL</b> <sup>2</sup>	---	<b>125-D-BR</b> <sup>2</sup>	---	<b>125-D-SS</b>
1 1/2"	<b>150-D-AL</b>	<b>150-D-ALH</b>	<b>150-D-BR</b>	<b>150-D-MI</b>	<b>150-D-SS</b>
2"	<b>200-D-AL</b>	<b>200-D-ALH</b>	<b>200-D-BR</b>	<b>200-D-MI</b>	<b>200-D-SS</b>
2 1/2"	<b>250-D-AL</b> <sup>2</sup>	---	<b>250-D-BR</b> <sup>2</sup>	---	<b>250-D-SS</b>
3"	<b>300-D-AL</b>	<b>300-D-ALH</b>	<b>300-D-BR</b>	<b>300-D-MI</b>	<b>300-D-SS</b>
4"	<b>400-D-AL</b>	<b>400-D-ALH</b>	<b>400-D-BR</b>	<b>400-D-MI</b>	<b>400-D-SS</b>
5"	<b>500-D-AL</b>	---	<b>500-D-BR</b>	<b>500-D-MI</b>	<b>500-D-SS</b>
6"	<b>600-D-AL</b>	<b>600-D-ALH</b>	<b>600-D-BR</b>	---	<b>600-D-SS</b>
8"	<b>800-D-AL</b> <sup>1</sup>	---	---	---	---

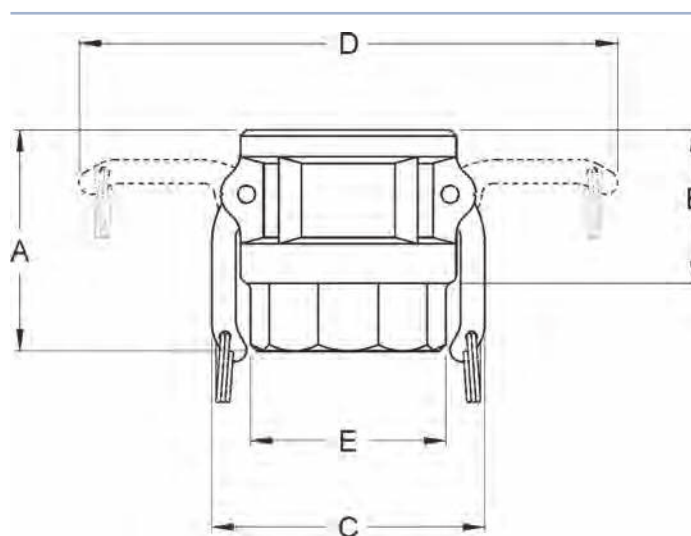


female coupler x female NPT  
aluminum

<sup>1</sup> Dixon and Boss-Lock cam and groove couplings *do not interchange in the 8" size*. The 8" Dixon design has 4 cam arms.

**SAFETY  
ALERT**

<sup>2</sup> Parts are manufactured in Canada.



### 356T6 aluminum, brass and iron dimensions

Size	1/2"	3/4"	1"	1 1/4"	1 1/2"	2"	2 1/2"	3"	4"	5"	6"	8"
A overall length	2	2-5/32	2-9/16	2-23/32	2-27/32	3-5/16	3-3/8	3-5/8	3-13/16	3 3/4	4-11/32	5-27/32
B coupler length	1-11/32	1 1/4	1-9/16	1-13/16	1-13/16	2-7/32	2-11/32	2-5/16	2-5/16	2-5/16	2-5/8	3-13/16
C distance across closed cam arms	1-17/32	2-1/8	2-7/16	3-3/8	3-9/16	3-15/16	4-5/8	5-15/32	6-9/16	7-9/16	10-3/32	12-1/32
D distance across open cam arms	2-5/8	4-5/16	5-3/16	7-7/16	7-5/8	8-1/32	8-9/16	10-3/32	11-3/16	12-3/16	16 1/4	19-31/32
E distance across flats	1-1/16	1-9/32	1-19/32	2-1/32	2-3/16	2-5/8	3-7/32	3-7/8	4-7/8	6-9/16 *	7-21/32 *	10-1/16 *

\* distance across lugs

### 316 stainless steel dimensions

Size	1/2"	3/4"	1"	1 1/4"	1 1/2"	2"	2 1/2"	3"	4"	5"	6"	8"
A overall length	2	2-1/16	2 1/2	2-27/32	2-27/32	3-3/16	3 3/4	3-19/32	3-11/16	3-13/16	4-1/16	---
B adapter length	1-7/32	1 1/4	1-9/16	1-29/32	1-29/32	2-7/32	2 1/4	2-9/32	2-9/32	2-5/16	2-19/32	---
C distance across closed cam arms	1-17/32	2-1/8	2-7/16	3 1/4	3-9/16	3-15/16	4-7/16	5-15/32	5-15/32	7-9/16	10-3/32	---
D distance across open cam arms	2-5/8	4-5/16	5-3/16	7-5/32	7-7/16	7-13/16	8-11/32	9-15/16	11-1/32	12-1/32	16 1/4	---
E distance across flats	1-3/32	1-5/16	1-5/8	1-15/16	2-3/16	2-5/8	3-1/8	3 3/4	4-7/8	6-7/16 *	7-9/16 *	---

\* distance across lugs

## Boss-Lock Type D Couplers

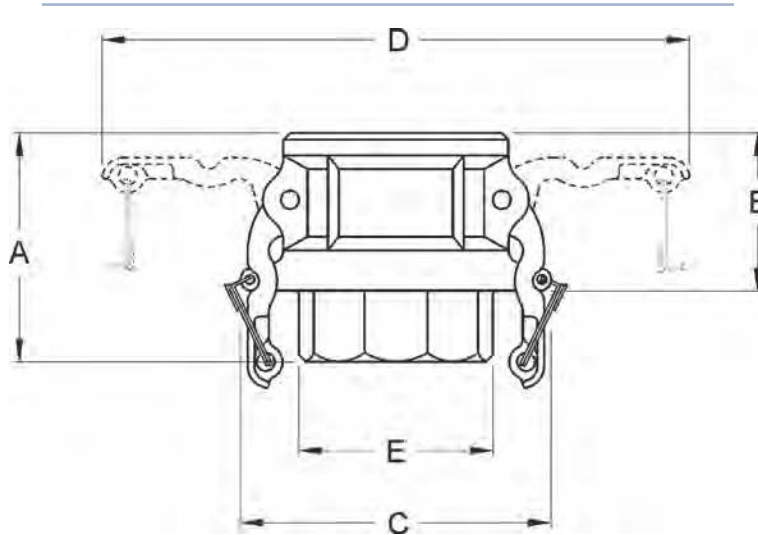


female coupler x female NPT aluminum

Size	356T6 Aluminum Part #	Brass Part #	Plated Iron Part #	316 SS Part #
3/4" x 1/2"	<b>AD050</b>	<b>BD050</b>	---	<b>RD050BL</b>
3/4"	<b>AD075</b>	<b>BD075</b>	<b>ID075</b>	<b>RD075BL</b>
1"	<b>AD100</b>	<b>BD100</b>	<b>ID100</b>	<b>RD100BL</b>
1 1/4"	<b>AD125</b>	<b>BD125</b>	---	<b>RD125BL</b>
1 1/2"	<b>AD150</b>	<b>BD150</b>	<b>ID150</b>	<b>RD150BL</b>
2"	<b>AD200</b>	<b>BD200</b>	<b>ID200</b>	<b>RD200BL</b>
2 1/2"	<b>AD250</b>	<b>BD250</b>	---	---
3"	<b>AD300</b>	<b>BD300</b>	<b>ID300</b>	<b>RD300BL</b>
4"	<b>AD400</b>	<b>BD400</b>	<b>ID400</b>	<b>RD400BL</b>
5"	<b>AD500</b>	---	---	---
6"	<b>AD600</b>	<b>BD600</b>	<b>ID600</b>	---
8"	<b>AD800<sup>1</sup></b>	---	---	---

**SAFETY**  
**ALERT**

<sup>1</sup> Dixon and Boss-Lock cam and groove couplings *do not interchange in the 8" size*. The 8" Dixon design has 4 cam arms.



### 356T6 aluminum, brass and iron dimensions

Size	3/4" x 1/2"	3/4"	1"	1 1/4"	1 1/2"	2"	2 1/2"	3"	4"	5"	6"	8"
A overall length	2	2-7/32	2-17/32	3-3/32	2-31/32	3 3/4	3-11/16	3-7/8	3-13/16	3-15/16	4-5/8	4 1/2
B coupler length	1-5/16	1-13/32	1-17/32	1-29/32	1-31/32	2-7/32	2 1/4	2-5/16	2-5/16	2-5/16	2-5/8	2-13/16
C distance across safety lugs	2-25/32	2-25/32	2-29/32	3-5/8	3-29/32	4-5/16	4-13/16	5-9/16	6-11/16	7-25/32	9-5/8	11-5/8
D distance across open cam arms	5-13/32	5-13/32	5-9/16	7-15/32	7-25/32	8-5/32	8-21/32	9-29/32	11	12-1/32	16-5/32	18-5/32
E distance across flats	1-3/16	1-3/8	1-5/8	2	2 1/4	2-5/8	3-5/16	3-7/8	4-7/8	6 *	8-5/32	11-5/8

\* distance across lugs

### 316 stainless steel dimensions

Size	3/4" x 1/2"	3/4"	1"	1 1/4"	1 1/2"	2"	2 1/2"	3"	4"	5"	6"	8"
A overall length	2	2-1/8	2 1/2	3-3/32	2-27/32	3-3/16	---	3-19/32	4 3/4	---	---	---
B adapter length	1-5/16	1-9/32	1-9/16	1-29/32	1-29/32	2-3/16	---	2-9/32	2-11/32	---	---	---
C distance across safety lugs	2-25/32	2-25/32	2-29/32	3-5/8	3-29/32	4-5/16	---	5-9/16	6-11/16	---	---	---
D distance across open cam arms	5-13/32	5-13/32	5-9/16	7-15/32	7-25/32	8-5/32	---	9-29/32	11	---	---	---
E distance across flats	1-3/16	1-3/8	1-5/8	2	2-3/16	2-11/16	---	3 3/4	4-7/8	---	---	---



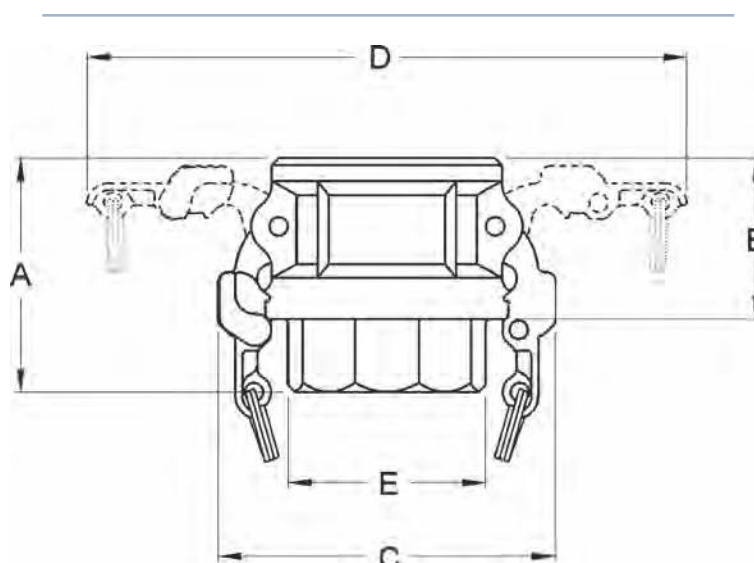
## EZ Boss-Lock Type D Couplers

Size	356T6 Aluminum Part #	Brass Part #	316 SS Part #
3/4" x 1/2"	---	---	<b>RD050EZ</b>
3/4"	<b>AD075EZ</b>	<b>BD075EZ</b>	<b>RD075EZ</b>
1"	<b>AD100EZ</b>	<b>BD100EZ</b>	<b>RD100EZ</b>
1 1/4"	---	<b>BD125EZ</b>	<b>RD125EZ</b>
1 1/2"	<b>AD150EZ</b>	<b>BD150EZ</b>	<b>RD150EZ</b>
2"	<b>AD200EZ</b>	<b>BD200EZ</b>	<b>RD200EZ</b>
2 1/2"	<b>AD250EZ</b>	<b>BD250EZ</b>	---
3"	<b>AD300EZ</b>	<b>BD300EZ</b>	<b>RD300EZ</b>
4"	<b>AD400EZ</b>	<b>BD400EZ</b>	<b>RD400EZ</b>
5"	<b>AD500EZ</b>	---	---
6"	<b>AD600EZ</b>	---	<b>RD600EZ</b>
8"	<b>AD800EZ<sup>1</sup></b>	---	---

female coupler x female NPT  
aluminum

<sup>1</sup> Dixon and Boss-Lock cam and groove couplings *do not interchange in the 8" size*.  
The 8" Dixon design has 4 cam arms.

**SAFETY**  
**ALERT**



## 3576T6 aluminum, brass and iron dimensions

Size	3/4" x 1/2"	3/4"	1"	1 1/4"	1 1/2"	2"	2 1/2"	3"	4"	5"	6"	8"
A overall length	---	2-7/32	2-17/32	3-3/32	2-31/32	3/4	3-11/16	3-7/8	3-13/16	3-15/16	4-5/8	4 1/2
B coupler length	---	1-13/32	1-17/32	1-29/32	1-31/32	2-7/32	2 1/4	2-5/16	2-5/16	2-5/16	2-5/8	2-13/16
C distance across closed cam arms	---	3-3/32	3/4	3-29/32	4-7/32	4-19/32	5-3/32	5-23/32	6-27/32	7-7/8	10	12-1/32
D distance across open cam arms	---	6-7/32	6-11/32	7-15/32	7-25/32	8-5/32	8-21/32	9-29/32	11	12-1/16	16-25/32	18-25/32
E distance across flats	---	1-3/8	1-5/8	2	2 1/4	2-5/8	3-5/16	3-7/8	4-7/8	6 *	8-5/32	11-5/8

\* distance across lugs

## 316 stainless steel dimensions

Size	3/4" x 1/2"	3/4"	1"	1 1/4"	1 1/2"	2"	2 1/2"	3"	4"	5"	6"	8"
A overall length	2	2-1/8	2 1/2	3-3/32	2-27/32	3-3/16	---	3-19/32	4 3/4	---	4-1/16	---
B adapter length	1-5/16	1-9/32	1-9/16	1-29/32	1-29/32	2-3/16	---	2-9/32	2-11/32	---	2-19/32	---
C distance across closed cam arms	3-3/32	3-3/32	3/4	3-29/32	4-7/32	4-19/32	---	5-23/32	6-27/32	---	10	---
D distance across open cam arms	6-7/32	6-7/32	6-11/32	7-15/32	7-25/32	8-5/32	---	9-29/32	11	---	16-25/32	---
E distance across flats	1-3/16	1-3/8	1-5/8	2	2-3/16	2-11/16	---	3 3/4	4-7/8	---	7-19/32	---

## Dixon Type B Couplers



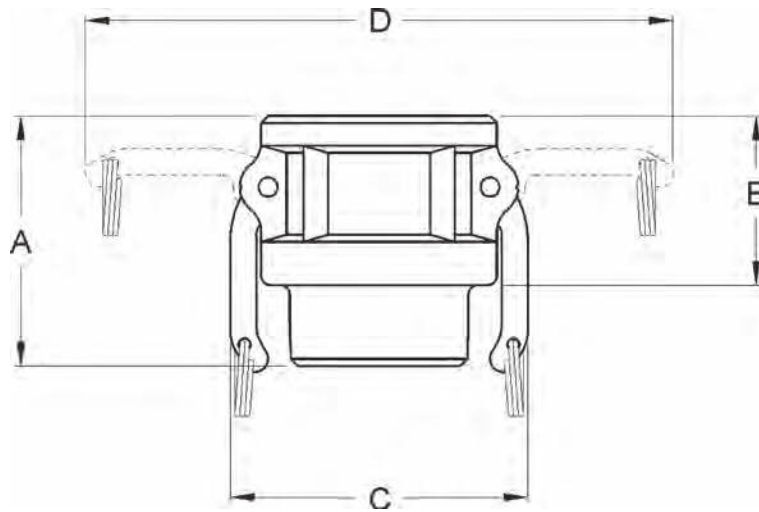
female coupler x male NPT aluminum

Size	356T6 Aluminum Part #	Aluminum Hard Coat Part #	Brass Part #	Unplated Iron Part #	316 SS Part #
1/2"	<b>50-B-AL</b>	---	<b>50-B-BR</b>	---	<b>50-B-SS</b>
3/4"	<b>75-B-AL</b>	---	<b>75-B-BR</b>	---	<b>75-B-SS</b>
1"	<b>100-B-AL</b>	---	<b>100-B-BR</b>	---	<b>100-B-SS</b>
1 1/4"	<b>125-B-AL</b> <sup>2</sup>	---	---	---	---
1 1/2"	<b>150-B-AL</b>	<b>150-B-ALH</b>	<b>150-B-BR</b>	<b>150-B-MI</b>	<b>150-B-SS</b>
2"	<b>200-B-AL</b>	<b>200-B-ALH</b>	<b>200-B-BR</b>	<b>200-B-MI</b>	<b>200-B-SS</b>
2 1/2"	<b>250-B-AL</b> <sup>2</sup>	---	---	---	<b>250-B-SS</b>
3"	<b>300-B-AL</b>	<b>300-B-ALH</b>	<b>300-B-BR</b>	<b>300-B-MI</b>	<b>300-B-SS</b>
4"	<b>400-B-AL</b>	<b>400-B-ALH</b>	<b>400-B-BR</b>	<b>400-B-MI</b>	<b>400-B-SS</b>
5"	<b>500-B-AL</b>	---	---	---	---
6"	<b>600-B-AL</b>	<b>600-B-ALH</b>	---	---	<b>600-B-SS</b>
8"	<b>800-B-AL</b> <sup>1,3</sup>	---	---	---	---

**SAFETY ALERT** <sup>1</sup> Dixon and Boss-Lock cam and groove couplings *do not interchange in the 8" size.* The 8" Dixon design has 4 cam arms.

<sup>2</sup> Parts are manufactured in Canada.

<sup>3</sup> Parts are produced as a welded fabrication.



### 3576T6 aluminum, brass and iron dimensions

Size	1/2"	3/4"	1"	1 1/4"	1 1/2"	2"	2 1/2"	3"	4"	5"	6"	8"
A overall length	2	2-1/8	2-17/32	3-1/32	2-13/16	3 1/4	3-9/16	3-15/16	4-1/32	4-3/16	4-7/16	8 1/4
B coupler length	1-11/32	1 1/4	1-5/8	1-15/16	1-29/32	2-7/32	2-5/32	2-5/16	2-11/32	2-5/16	2-5/8	3-13/16
C distance across closed cam arms	1-17/32	2-1/8	2-7/16	3-3/8	3-9/16	3-15/16	4-5/8	5-15/32	6-9/16	7-9/16	10-3/32	12-1/32
D distance across open cam arms	2-5/8	4-5/16	5-3/16	7-7/16	7-5/8	8-1/32	8-9/16	10-3/32	11-3/16	12-3/16	16 1/4	19-31/32

### 316 stainless steel dimensions

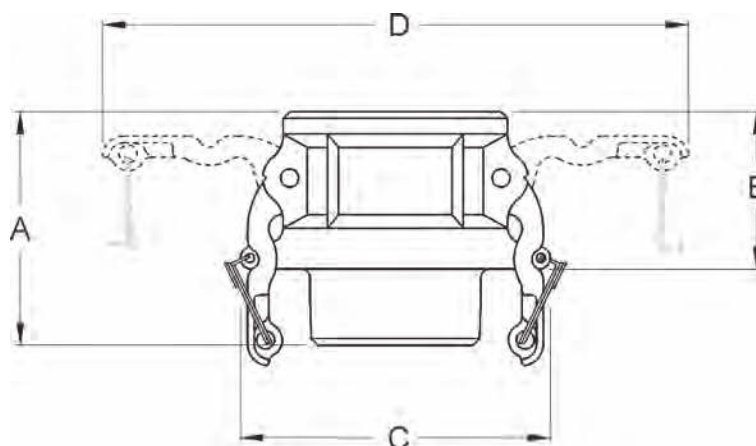
Size	1/2"	3/4"	1"	1 1/4"	1 1/2"	2"	2 1/2"	3"	4"	5"	6"	8"
A overall length	2-1/32	2-1/8	2-9/16	2-27/32	2-31/32	3-9/32	3-7/16	3-19/32	4	---	4-17/32	---
B adapter length	1-7/32	1 1/4	1-9/16	1-29/32	1-29/32	2-7/32	2 1/4	2-3/8	2-9/32	---	2-19/32	---
C distance across closed cam arms	1-17/32	2-1/8	2-7/16	3 1/4	3-9/16	3-15/16	4-7/16	5-15/32	5-15/32	---	10-3/32	---
D distance across open cam arms	2-5/8	4-5/16	5-3/16	7-5/32	7-7/16	7-13/16	8-11/32	9-15/16	11-1/32	---	16 1/4	---

## Boss-Lock Type B Couplers

Size	356T6 Aluminum Part #	Brass Part #	Plated Iron Part #	316 SS Part #
3/4" x 1/2"	---	<b>BB050</b>	---	<b>RB050BL</b>
3/4"	---	<b>BB075</b>	---	<b>RB075BL</b>
1"	<b>AB100</b>	<b>BB100</b>	<b>IB100</b>	<b>RB100BL</b>
1 1/4"	<b>AB125</b>	<b>BB125</b>	---	<b>RB125BL</b>
1 1/2"	<b>AB150</b>	<b>BB150</b>	<b>IB150</b>	<b>RB150BL</b>
2"	<b>AB200</b>	<b>BB200</b>	<b>IB200</b>	<b>RB200BL</b>
2 1/2"	<b>AB250</b>	<b>BB250</b>	---	---
3"	<b>AB300</b>	<b>BB300</b>	<b>IB300</b>	<b>RB300BL</b>
4"	<b>AB400</b>	<b>BB400</b>	<b>IB400</b>	<b>RB400BL</b>
6"	<b>AB600</b>	---	---	---



female coupler x male NPT  
aluminum



356T6 aluminum, brass and iron dimensions

Size	3/4" x 1/2"	3/4"	1"	1 1/4"	1 1/2"	2"	2 1/2"	3"	4"	5"	6"	8"
A overall length	2 1/4	2-5/16	2-17/32	3-5/32	3-5/32	3-9/32	3-7/8	4	4-1/16	---	4-23/32	7-1/8
B coupler length	1-5/16	1-13/32	1-17/32	1-29/32	1-29/32	2-7/32	2 1/4	2-5/16	2-5/16	---	2-19/32	2-13/16
C distance across safety lugs	2-25/32	2-25/32	2-29/32	3-5/8	3-29/32	4-5/16	4-13/16	5-9/16	6-11/16	---	9-5/8	11-5/8
D distance across open cam arms	5-13/32	5-13/32	5-9/16	7-15/32	7-25/32	8-5/32	8-21/32	9-29/32	11	---	16-5/32	18-5/32

316 stainless steel dimensions

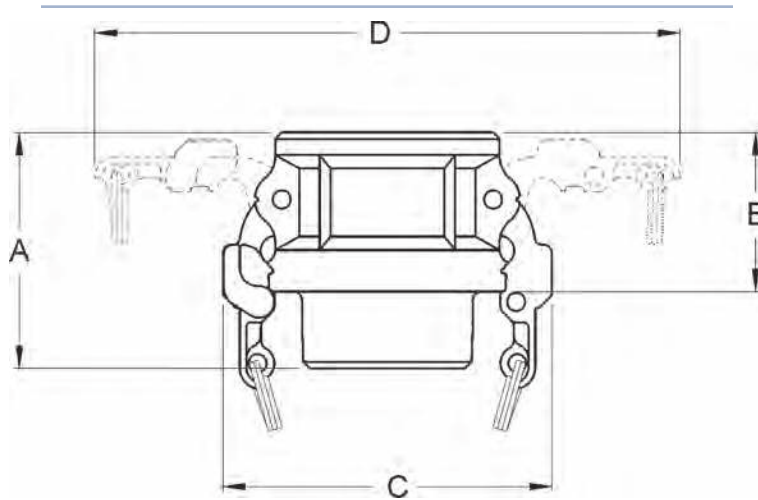
Size	3/4" x 1/2"	3/4"	1"	1 1/4"	1 1/2"	2"	2 1/2"	3"	4"	5"	6"	8"
A overall length	2 1/4	2 1/4	2-9/16	3-3/16	3-7/32	3 3/4	---	3-15/16	4-1/16	---	---	---
B adapter length	1-5/16	1-5/16	1-9/16	1-29/32	1-29/32	2-3/16	---	2-5/16	2-5/16	---	---	---
C distance across safety lugs	2-25/32	2-25/32	2-29/32	3-5/8	3-29/32	4-5/16	---	5-9/16	6-11/16	---	---	---
D distance across open cam arms	5-13/32	5-13/32	5-9/16	7-15/32	7-25/32	8-5/32	---	9-29/32	11	---	---	---

## EZ Boss-Lock Type B Couplers



female coupler x male NPT  
aluminum

Size	356T6 Aluminum Part #	Brass Part #	316 SS Part #
3/4" x 1/2"	---	---	<b>RB050EZ</b>
3/4"	---	<b>BB075EZ</b>	<b>RB075EZ</b>
1"	<b>AB100EZ</b>	<b>BB100EZ</b>	<b>RB100EZ</b>
1 1/4"	---	<b>BB125EZ</b>	<b>RB125EZ</b>
1 1/2"	<b>AB150EZ</b>	<b>BB150EZ</b>	<b>RB150EZ</b>
2"	<b>AB200EZ</b>	<b>BB200EZ</b>	<b>RB200EZ</b>
3"	<b>AB300EZ</b>	<b>BB300EZ</b>	<b>RB300EZ</b>
4"	<b>AB400EZ</b>	<b>BB400EZ</b>	<b>RB400EZ</b>
6"	---	---	<b>RB600EZ</b>



### 3576T6 aluminum, brass and iron dimensions

Size	3/4" x 1/2"	3/4"	1"	1 1/4"	1 1/2"	2"	2 1/2"	3"	4"	5"	6"	8"
A overall length	---	2-5/16	2-17/32	3-5/32	3-5/32	3-9/32	---	4	4-1/16	---	4-23/32	---
B coupler length	---	1-13/32	1-17/32	1-29/32	1-29/32	2-7/32	---	2-5/16	2-5/16	---	2-19/32	---
C distance across closed cam arms	---	3-3/32	3/4	3-29/32	4-7/32	4-19/32	---	5-23/32	6-27/32	---	10	---
D distance across open cam arms	---	6-7/32	6-11/32	7-15/32	7-25/32	8-5/32	---	9-29/32	11	---	16-25/32	---

### 316 stainless steel dimensions

Size	3/4" x 1/2"	3/4"	1"	1 1/4"	1 1/2"	2"	2 1/2"	3"	4"	5"	6"	8"
A overall length	2 1/4	2 1/4	2-9/16	3-3/16	3-7/32	3 3/4	---	3-15/16	4-1/16	---	4-17/32	---
B adapter length	1-5/16	1-5/16	1-9/16	1-29/32	1-29/32	2-3/16	---	2-5/16	2-5/16	---	2-19/32	---
C distance across closed cam arms	3-3/32	3-3/32	3/4	3-29/32	4-7/32	4-19/32	---	5-23/32	6-27/32	---	10	---
D distance across open cam arms	6-7/32	6-7/32	6-11/32	7-15/32	7-25/32	8-5/32	---	9-29/32	11	---	16-25/32	---

## Dixon Type DC Dust Caps

Size	356T6 Aluminum Part #	Aluminum Hard Coat Part #	Brass Part #	Unplated Iron Part #	316 SS Part #
1/2"	<b>50-DC-AL</b>	---	<b>50-DC-BR</b>	---	<b>50-DC-SS</b>
3/4"	<b>75-DC-AL</b>	---	<b>75-DC-BR</b>	---	<b>75-DC-SS</b>
1"	<b>100-DC-AL</b>	---	<b>100-DC-BR</b>	---	<b>100-DC-SS</b>
1 1/2"	<b>150-DC-AL</b>	<b>150-DC-ALH</b>	<b>150-DC-BR</b>	---	<b>150-DC-SS</b>
2"	<b>200-DC-AL</b>	<b>200-DC-ALH</b>	<b>200-DC-BR</b>	<b>200-DC-MI</b>	<b>200-DC-SS</b>
2 1/2"	<b>250-DC-AL</b> <sup>2</sup>	---	---	---	<b>250-DC-SS</b>
3"	<b>300-DC-AL</b>	<b>300-DC-ALH</b>	<b>300-DC-BR</b>	<b>300-DC-MI</b>	<b>300-DC-SS</b>
4"	<b>400-DC-AL</b>	<b>400-DC-ALH</b>	<b>400-DC-BR</b>	<b>400-DC-MI</b>	<b>400-DC-SS</b>
5"	<b>500-DC-AL</b>	---	<b>500-DC-BR</b>	---	<b>500-DC-SS</b>
6"	<b>600-DC-AL</b>	<b>600-DC-ALH</b>	---	---	<b>600-DC-SS</b>
8"	<b>800-DC-AL</b> <sup>1</sup>	---	---	---	---



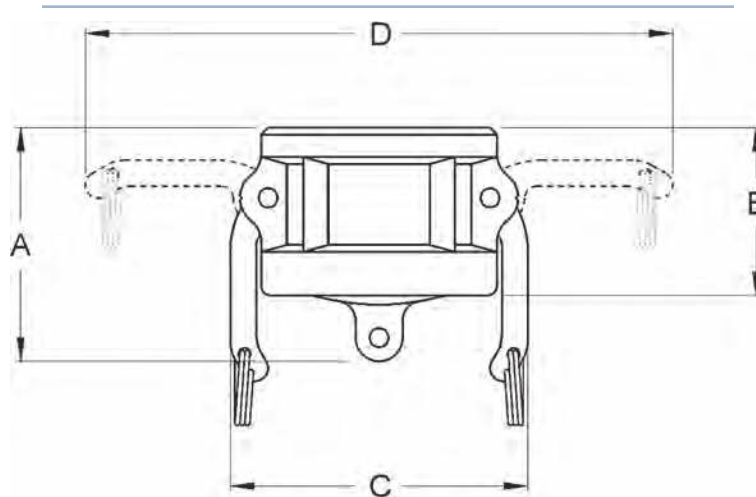
type DC dust cap aluminum

**SAFETY**  
**ALERT**

<sup>1</sup> Dixon and Boss-Lock cam and groove couplings *do not interchange in the 8" size*. The 8" Dixon dust cap has 2 cam arms.

<sup>2</sup> Parts are manufactured in Canada.

*Dust caps and dust plugs are not to be used in pressure applications for safety and environmental reasons.*



### 3576T6 aluminum, brass and iron dimensions

Size	1/2"	3/4"	1"	1 1/2"	2"	2 1/2"	3"	4"	5"	6"	8"
A overall length	4-29/32	2-1/16	2-11/32	2-11/16	3	2-5/8	3-1/8	3-21/32	3 1/2	3-3/16	5 4/9
B coupler length	1-7/32	1-3/8	1-21/32	1-13/16	2-7/32	2-5/32	2 1/4	2-5/16	2-5/16	2-5/8	3-13/16
C distance across closed cam arms	1-17/32	2-1/8	2-7/16	3-9/16	3-15/16	4-5/8	5-15/32	6-9/16	7-9/16	10-3/32	12-1/32
D distance across open cam arms	2-5/8	4-5/16	5-3/16	7-5/8	8-1/32	8-9/16	10-3/32	11-3/16	12-3/16	16 1/4	19-31/32

### 316 stainless steel dimensions

Size	1/2"	3/4"	1"	1 1/2"	2"	2 1/2"	3"	4"	5"	6"	8"
A overall length	1-23/32	1 1/4	2-3/16	2-13/16	3-3/32	3-1/16	3-1/8	3-17/32	3-3/8	3 3/4	---
B adapter length	1-7/32	1 1/4	1-9/16	1-29/32	2-7/32	2 1/4	2-9/32	2-9/32	2-7/16	2-19/32	---
C distance across closed cam arms	1-17/32	2-1/8	2-7/16	3-9/16	3-15/16	4-7/16	5-15/32	5-15/32	7-9/16	10-3/32	---
D distance across open cam arms	2-5/8	4-5/16	5-3/16	7-7/16	7-13/16	8-11/32	9-15/16	11-1/32	12-3/16	16 1/4	---

## Boss-Lock Type H Dust Caps

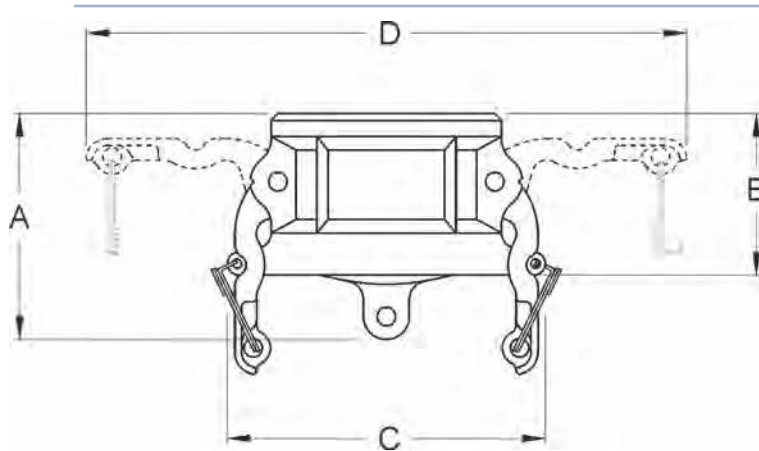


type H dust cap  
aluminum

Size	356T6 Aluminum Part #	Brass Part #	Plated Iron Part #	316 SS Part #
3/4"	---	---	---	<b>RH075BL</b>
1"	<b>AH100</b>	<b>BH100</b>	---	<b>RH100BL</b>
1 1/4"	<b>AH125</b>	<b>BH125</b>	---	<b>RH125BL</b>
1 1/2"	<b>AH150</b>	<b>BH150</b>	<b>IH150</b>	<b>RH150BL</b>
2"	<b>AH200</b>	<b>BH200</b>	<b>IH200</b>	<b>RH200BL</b>
2 1/2"	<b>AH250</b>	<b>BH250</b>	---	---
3"	<b>AH300</b>	<b>BH300</b>	<b>IH300</b>	<b>RH300BL</b>
4"	<b>AH400</b>	<b>BH400</b>	<b>IH400</b>	<b>RH400BL</b>
6"	<b>AH600</b>	<b>BH600</b>	<b>IH600</b>	---
8"	<b>AH800</b> <sup>1</sup>	---	---	---

<sup>1</sup> Dixon and Boss-Lock cam and groove couplings *do not interchange in the 8" size*.  
The 8" Boss-Lock design has 2 cam arms.

*Dust caps and dust plugs are not to be used in pressure applications for safety and environmental reasons.*



### 3576T6 aluminum, brass and iron dimensions

Size	3/4"	1"	1 1/4"	1 1/2"	2"	2 1/2"	3"	4"	5"	6"	8"
A overall length	---	2-7/32	2 3/4	2-15/16	3-1/16	3-7/32	3-1/8	3-3/8	---	3-29/32	4-9/16
B coupler length	---	1-9/16	1-29/32	1-29/32	2-3/16	2 1/4	2-5/16	2-5/16	---	2-5/8	2-13/16
C distance across safety lugs	---	2-29/32	3-5/8	3-29/32	4-5/16	4-13/16	5-9/16	6-11/16	---	9-5/8	11-5/8
D distance across open cam arms	---	5-9/16	7-15/32	7-25/32	8-5/32	8-21/32	9-29/32	11	---	16-5/32	18-5/32

### 316 stainless steel dimensions

Size	3/4"	1"	1 1/4"	1 1/2"	2"	2 1/2"	3"	4"	5"	6"	8"
A overall length	1-15/16	2-3/16	2 3/4	2-13/16	3-1/16	---	3-1/8	3-19/32	---	---	---
B adapter length	1-5/16	1-9/16	1-29/32	1-29/32	2-3/16	---	2-9/32	2-5/16	---	---	---
C distance across safety lugs	2-25/32	2-29/32	3-5/8	3-29/32	4-5/16	---	5-9/16	6-11/16	---	---	---
D distance across open cam arms	5-13/32	5-9/16	7-15/32	7-25/32	8-5/32	---	9-29/32	11	---	---	---



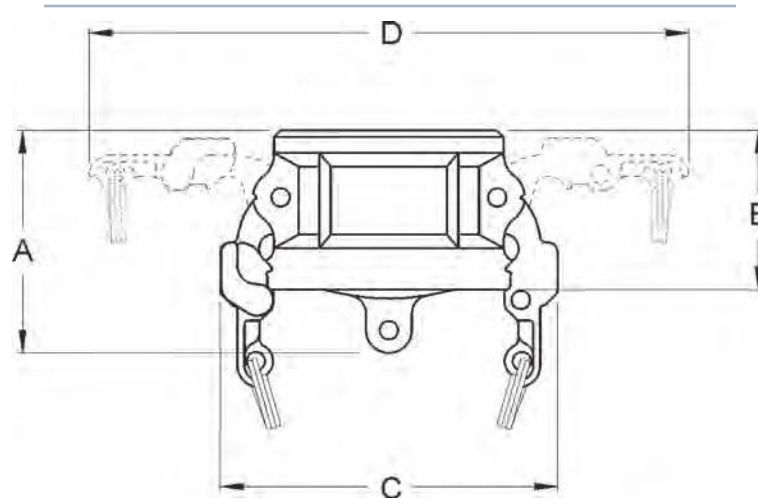
## EZ Boss-Lock Type H Dust Caps

Size	356T6 Aluminum Part #	Brass Part #	316 SS Part #
3/4"	---	---	<b>RH075EZ</b>
1"	<b>AH100EZ</b>	<b>BH100EZ</b>	<b>RH100EZ</b>
1 1/4"	---	---	<b>RH125EZ</b>
1 1/2"	<b>AH150EZ</b>	<b>BH150EZ</b>	<b>RH150EZ</b>
2"	<b>AH200EZ</b>	<b>BH200EZ</b>	<b>RH200EZ</b>
2 1/2"	<b>AH250EZ</b>	---	---
3"	<b>AH300EZ</b>	<b>BH300EZ</b>	<b>RH300EZ</b>
4"	<b>AH400EZ</b>	---	<b>RH400EZ</b>
6"	<b>AH600EZ</b>	---	<b>RH600EZ</b>



type H dust cap  
aluminum

Dust caps and dust plugs are not to be used in pressure applications for safety and environmental reasons.



### 3576T6 aluminum, brass and iron dimensions

Size	3/4"	1"	1 1/4"	1 1/2"	2"	2 1/2"	3"	4"	5"	6"	8"
A overall length	---	2-7/32	---	2-15/16	3-1/16	3-7/32	3-1/8	3-3/8	---	3-29/32	4-9/16
B coupler length	---	1-9/16	---	1-29/32	2-3/16	2 1/4	2-5/16	2-5/16	---	2-5/8	2-13/16
C distance across closed cam arms	---	3/4	---	4-7/32	4-19/32	---	5-23/32	6-27/32	---	10	12-1/32
D distance across open cam arms	---	6-11/32	---	7-25/32	8-5/32	---	9-29/32	11	---	16-25/32	18-25/32

### 316 stainless steel dimensions

Size	3/4"	1"	1 1/4"	1 1/2"	2"	2 1/2"	3"	4"	5"	6"	8"
A overall length	1-15/16	2-3/16	2 3/4	2-13/16	3-1/16	---	3-1/8	3-19/32	---	3 3/4	---
B adapter length	1-5/16	1-9/16	1-29/32	1-29/32	2-3/16	---	2-9/32	2-5/16	---	2-19/32	---
C distance across closed cam arms	3-3/32	3/4	3-29/32	4-7/32	4-19/32	---	5-23/32	6-27/32	---	10	---
D distance across open cam arms	6-7/32	6-11/32	7-15/32	7-25/32	8-5/32	---	9-29/32	11	---	16-25/32	---

## Global Cam and Groove

- designed to interchange with all products produced to A-A-59326B
- made to Dixon specifications and branded Dixon
- Buna seals are standard in all couplers

- Pressure rating for adapters, is based on the seal of the mating part.
- *Dust caps and dust plugs are not to be used in pressure applications for safety and environmental reasons*

**SAFETY**  
**ALERT**

### Global Type A Adapters



female NPT x male adapter  
stainless steel

Size	A380 Aluminum Part #	ASTMC38000 Forged Brass Part #	316 Investment Cast SS Part #
1/2"	<b>G50-A-AL</b>	<b>G50-A-BR</b>	---
3/4"	<b>G75-A-AL</b>	<b>G75-A-BR</b>	<b>G75-A-SS</b>
1"	<b>G100-A-AL</b>	<b>G100-A-BR</b>	<b>G100-A-SS</b>
1 1/4"	<b>G125-A-AL</b>	<b>G125-A-BR</b>	<b>G125-A-SS</b>
1 1/2"	<b>G150-A-AL</b>	<b>G150-A-BR</b>	<b>G150-A-SS</b>
2"	<b>G200-A-AL</b>	<b>G200-A-BR</b>	<b>G200-A-SS</b>
2 1/2"	<b>G250-A-AL</b>	<b>G250-A-BR</b>	<b>G250-A-SS</b>
3"	<b>G300-A-AL</b>	<b>G300-A-BR</b>	<b>G300-A-SS</b>
4"	<b>G400-A-AL</b>	<b>G400-A-BR</b>	<b>G400-A-SS</b>
5"	<b>G500-A-AL</b>	---	---
6"	<b>G600-A-AL</b>	---	<b>G600-A-SS</b>
8"	<b>G800-A-AL</b>	---	---

### Global Type E Adapters



hose shank x male adapter  
stainless steel

Size	A380 Aluminum Part #	ASTMC38000 Forged Brass Part #	316 Investment Cast SS Part #
1/2"	<b>G50-E-AL</b>	<b>G50-E-BR</b>	---
3/4"	<b>G75-E-AL</b>	<b>G75-E-BR</b>	<b>G75-E-SS</b>
1"	<b>G100-E-AL</b>	<b>G100-E-BR</b>	<b>G100-E-SS</b>
1 1/4"	<b>G125-E-AL</b>	<b>G125-E-BR</b>	<b>G125-E-SS</b>
1 1/2"	<b>G150-E-AL</b>	<b>G150-E-BR</b>	<b>G150-E-SS</b>
2"	<b>G200-E-AL</b>	<b>G200-E-BR</b>	<b>G200-E-SS</b>
2 1/2"	<b>G250-E-AL</b>	<b>G250-E-BR</b>	<b>G250-E-SS</b>
3"	<b>G300-E-AL</b>	<b>G300-E-BR</b>	<b>G300-E-SS</b>
4"	<b>G400-E-AL</b>	<b>G400-E-BR</b>	<b>G400-E-SS</b>
5"	<b>G500-E-AL</b>	---	---
6"	<b>G600-E-AL</b>	---	<b>G600-E-SS</b>
8"	<b>G800-E-AL</b>	---	---

### Global Type F Adapters



male NPT x male adapter  
aluminum

Size	A380 Aluminum Part #	ASTMC38000 Forged Brass Part #	316 Investment Cast SS Part #
1/2"	<b>G50-F-AL</b>	<b>G50-F-BR</b>	---
3/4"	<b>G75-F-AL</b>	<b>G75-F-BR</b>	<b>G75-F-SS</b>
1"	<b>G100-F-AL</b>	<b>G100-F-BR</b>	<b>G100-F-SS</b>
1 1/4"	<b>G125-F-AL</b>	<b>G125-F-BR</b>	<b>G125-F-SS</b>
1 1/2"	<b>G150-F-AL</b>	<b>G150-F-BR</b>	<b>G150-F-SS</b>
2"	<b>G200-F-AL</b>	<b>G200-F-BR</b>	<b>G200-F-SS</b>
2 1/2"	<b>G250-F-AL</b>	<b>G250-F-BR</b>	<b>G250-F-SS</b>
3"	<b>G300-F-AL</b>	<b>G300-F-BR</b>	<b>G300-F-SS</b>
4"	<b>G400-F-AL</b>	<b>G400-F-BR</b>	<b>G400-F-SS</b>
5"	<b>G500-F-AL</b>	---	---
6"	<b>G600-F-AL</b>	---	<b>G600-F-SS</b>

## Global Type DP Dust Plugs

Size	A380 Aluminum Part #	ASTMC38000 Forged Brass Part #	316 Investment Cast SS Part #
1/2"	<b>G50-DP-AL</b>	<b>G50-DP-BR</b>	---
3/4"	<b>G75-DP-AL</b>	<b>G75-DP-BR</b>	<b>G75-DP-SS</b>
1"	<b>G100-DP-AL</b>	<b>G100-DP-BR</b>	<b>G100-DP-SS</b>
1 1/4"	<b>G125-DP-AL</b>	<b>G125-DP-BR</b>	<b>G125-DP-SS</b>
1 1/2"	<b>G150-DP-AL</b>	<b>G150-DP-BR</b>	<b>G150-DP-SS</b>
2"	<b>G200-DP-AL</b>	<b>G200-DP-BR</b>	<b>G200-DP-SS</b>
2 1/2"	<b>G250-DP-AL</b>	<b>G250-DP-BR</b>	<b>G250-DP-SS</b>
3"	<b>G300-DP-AL</b>	<b>G300-DP-BR</b>	<b>G300-DP-SS</b>
4"	<b>G400-DP-AL</b>	<b>G400-DP-BR</b>	<b>G400-DP-SS</b>
5"	<b>G500-DP-AL</b>	---	---
6"	<b>G600-DP-AL</b>	---	<b>G600-DP-SS</b>



dust plug  
aluminum

## Global Type B Couplers

Size	A380 Aluminum Part #	ASTMC38000 Forged Brass Part #	316 Investment Cast SS Part #
1/2"	<b>G50-B-AL</b>	<b>G50-B-BR</b>	---
3/4"	<b>G75-B-AL</b>	<b>G75-B-BR</b>	<b>G75-B-SS</b>
1"	<b>G100-B-AL</b>	<b>G100-B-BR</b>	<b>G100-B-SS</b>
1 1/4"	<b>G125-B-AL</b>	<b>G125-B-BR</b>	<b>G125-B-SS</b>
1 1/2"	<b>G150-B-AL</b>	<b>G150-B-BR</b>	<b>G150-B-SS</b>
2"	<b>G200-B-AL</b>	<b>G200-B-BR</b>	<b>G200-B-SS</b>
2 1/2"	<b>G250-B-AL</b>	<b>G250-B-BR</b>	<b>G250-B-SS</b>
3"	<b>G300-B-AL</b>	<b>G300-B-BR</b>	<b>G300-B-SS</b>
4"	<b>G400-B-AL</b>	<b>G400-B-BR</b>	<b>G400-B-SS</b>
5"	<b>G500-B-AL</b>	---	---
6"	<b>G600-B-AL</b>	---	<b>G600-B-SS</b>



female coupler x male NPT  
aluminum

## Global Type C Couplers

Size	A380 Aluminum Part #	ASTMC38000 Forged Brass Part #	316 Investment Cast SS Part #
1/2"	<b>G50-C-AL</b>	<b>G50-C-BR</b>	---
3/4"	<b>G75-C-AL</b>	<b>G75-C-BR</b>	<b>G75-C-SS</b>
1"	<b>G100-C-AL</b>	<b>G100-C-BR</b>	<b>G100-C-SS</b>
1 1/4"	<b>G125-C-AL</b>	<b>G125-C-BR</b>	<b>G125-C-SS</b>
1 1/2"	<b>G150-C-AL</b>	<b>G150-C-BR</b>	<b>G150-C-SS</b>
2"	<b>G200-C-AL</b>	<b>G200-C-BR</b>	<b>G200-C-SS</b>
2 1/2"	<b>G250-C-AL</b>	<b>G250-C-BR</b>	<b>G250-C-SS</b>
3"	<b>G300-C-AL</b>	<b>G300-C-BR</b>	<b>G300-C-SS</b>
4"	<b>G400-C-AL</b>	<b>G400-C-BR</b>	<b>G400-C-SS</b>
5"	<b>G500-C-AL</b>	---	---
6"	<b>G600-C-AL</b>	---	<b>G600-C-SS</b>
8"	<b>G800-C-AL</b>	---	---



female coupler x hose shank  
aluminum

### Global Type D Couplers



female coupler x female NPT aluminum

Size	A380 Aluminum Part #	ASTMC38000 Forged Brass Part #	316 Investment Cast SS Part #
1/2"	<b>G50-D-AL</b>	<b>G50-D-BR</b>	---
3/4"	<b>G75-D-AL</b>	<b>G75-D-BR</b>	<b>G75-D-SS</b>
1"	<b>G100-D-AL</b>	<b>G100-D-BR</b>	<b>G100-D-SS</b>
1 1/4"	<b>G125-D-AL</b>	<b>G125-D-BR</b>	<b>G125-D-SS</b>
1 1/2"	<b>G150-D-AL</b>	<b>G150-D-BR</b>	<b>G150-D-SS</b>
2"	<b>G200-D-AL</b>	<b>G200-D-BR</b>	<b>G200-D-SS</b>
2 1/2"	<b>G250-D-AL</b>	<b>G250-D-BR</b>	<b>G250-D-SS</b>
3"	<b>G300-D-AL</b>	<b>G300-D-BR</b>	<b>G300-D-SS</b>
4"	<b>G400-D-AL</b>	<b>G400-D-BR</b>	<b>G400-D-SS</b>
5"	<b>G500-D-AL</b>	---	---
6"	<b>G600-D-AL</b>	---	<b>G600-D-SS</b>

### Global Type DC Dust Caps



dust cap aluminum

Size	A380 Aluminum Part #	ASTMC38000 Forged Brass Part #	316 Investment Cast SS Part #
1/2"	<b>G50-DC-AL</b>	<b>G50-DC-BR</b>	---
3/4"	<b>G75-DC-AL</b>	<b>G75-DC-BR</b>	<b>G75-DC-SS</b>
1"	<b>G100-DC-AL</b>	<b>G100-DC-BR</b>	<b>G100-DC-SS</b>
1 1/4"	<b>G125-DC-AL</b>	<b>G125-DC-BR</b>	<b>G125-DC-SS</b>
1 1/2"	<b>G150-DC-AL</b>	<b>G150-DC-BR</b>	<b>G150-DC-SS</b>
2"	<b>G200-DC-AL</b>	<b>G200-DC-BR</b>	<b>G200-DC-SS</b>
2 1/2"	<b>G250-DC-AL</b>	<b>G250-DC-BR</b>	<b>G250-DC-SS</b>
3"	<b>G300-DC-AL</b>	<b>G300-DC-BR</b>	<b>G300-DC-SS</b>
4"	<b>G400-DC-AL</b>	<b>G400-DC-BR</b>	<b>G400-DC-SS</b>
5"	<b>G500-DC-AL</b>	---	---
6"	<b>G600-DC-AL</b>	---	<b>G600-DC-SS</b>

### Replacement Handle Assemblies for Global Couplers

#### For Aluminum and Brass Global Couplers

- Handles supplied complete with ring and pin.



investment stainless

Fits on sizes	Investment Stainless Part #
3/4"	<b>G75HRP</b>
1"	<b>G100HRP</b>



forged brass

Fits on sizes	Forged Brass Part #
1 1/4" - 2 1/2"	<b>G152HRP</b>
3" and 4"	<b>G34HRP</b>
6" and 8"	<b>G600HRP</b>

#### For Stainless Steel Global Couplers



investment stainless

Fits on sizes	Investment Stainless Part #
3/4"	<b>G75HRPSS</b>
1"	<b>G100HRPSS</b>
1 1/4" - 2 1/2"	<b>G125250HRPSS</b>
3" and 4"	<b>G300400HRPSS</b>
6"	<b>G600HRPSS</b>

### Safety Clip for Global Couplers



Zinc Plated Carbon Steel Part #

**GSAFETYCLIP**

## Global Type DD Spool Couplers

Size	Aluminum Part #
2"	<b>G200-DD-AL</b>
3"	<b>G300-DD-AL</b>



G300-DD-AL

## Global Type AA Spool Couplers

Size	A380 Aluminum Permanent Mold Part #
1"	<b>G100-AA-AL</b>
1½"	<b>G150-AA-AL</b>
2"	<b>G200-AA-AL</b>
3"	<b>G300-AA-AL</b>
4"	<b>G400-AA-AL</b>



G300-AA-AL

## Global Jump Size Cam and Groove

male adapter x female NPT

Size	Aluminum Part #
3" x 2"	<b>G3020-A-AL</b>
4" x 3"	<b>G4030-A-AL</b>



G3020-C-AL

male spool adapter

Size	Aluminum Part #
1½" x 2"	<b>G1520-AA-AL</b>
2" x 3"	<b>G2030-AA-AL</b>
3" x 4"	<b>G3040-AA-AL</b>



G3020-DA-AL

female coupler x hose shank

Size	Aluminum Part #
3" x 2"	<b>G3020-C-AL</b>

female coupler x male adapter

Size	Aluminum Part #
3" x 2"	<b>G3020-DA-AL</b>
4" x 3"	<b>G4030-DA-AL</b>



G3020-E-AL

male adapter x hose shank

Size	Aluminum Part #
3" x 2"	<b>G3020-E-AL</b>

## Polypropylene Adapters

**SAFETY**  
**ALERT**

NOT recommended for use with PTFE gaskets

- Recommended for a maximum working pressure of **125 PSI** (1/2" - 1"), **100 PSI** (1 1/4" - 2") and **75 PSI** (3" - 4"); recommendations based on the use of mating Dixon fittings at an ambient temperature of **70°F** with standard seal installed.
- 1/2" couplers and adapters will interchange with 3/4" couplers and adapters. Only the threads and barbs are 1/2".  
1 1/4" couplers and adapters will interchange with 1 1/2" couplers and adapters. Only the threads and barbs are 1 1/4".
- Polypropylene cam and groove should not be mixed with metal fittings.
- Adapters are manufactured from a glass-filled polypropylene.

**SAFETY**  
**ALERT**



male adapter x female NPT

type A		
Size	Polypropylene Part #	Opt Qty
3/4" x 1/2"	<b>PPA50</b>	24
3/4"	<b>PPA75</b>	24
1"	<b>PPA100</b>	24
1 1/2" x 1 1/4"	<b>PPA125</b>	24
1 1/2"	<b>PPA150</b>	24
2"	<b>PPA200</b>	24
3"	<b>PPA300</b>	24
4"	<b>PPA400</b>	8



male adapter x male NPT

type F		
Size	Polypropylene Part #	Opt Qty
3/4" x 1/2"	<b>PPF50</b>	24
3/4"	<b>PPF75</b>	24
1"	<b>PPF100</b>	24
1 1/2" x 1 1/4"	<b>PPF125</b>	24
1 1/2"	<b>PPF150</b>	24
2"	<b>PPF200</b>	24
3"	<b>PPF300</b>	24
4"	<b>PPF400</b>	8



male adapter x hose shank

type E		
Size	Polypropylene Part #	Opt Qty
3/4" x 1/2"	<b>PPE50</b>	24
3/4"	<b>PPE75</b>	24
1"	<b>PPE100</b>	24
1 1/2" x 1 1/4"	<b>PPE125</b>	24
1 1/2"	<b>PPE150</b>	24
2"	<b>PPE200</b>	24
3"	<b>PPE300</b>	24
4"	<b>PPE400</b>	8



dust plug



4" plug has a different design <sup>2</sup>

type P <sup>1</sup>		
Size	Polypropylene Part #	Opt Qty
3/4"	<b>PPP75</b>	24
1"	<b>PPP100</b>	24
1 1/2"	<b>PPP150</b>	24
2"	<b>PPP200</b>	24
3"	<b>PPP300</b>	24
4"	<b>PPP400</b> <sup>2</sup>	8

<sup>1</sup> Dust caps and dust plugs are not to be used in pressure applications for safety and environmental reasons.

**SAFETY**  
**ALERT**

## Polypropylene Adapter Elbows

- Recommended for a maximum working pressure of **100 PSI** (1 1/2" - 2"); recommendations based on the use of mating Dixon fittings at an ambient temperature of **70°F** with standard seal installed.
- Adapter elbows are manufactured from a glass-filled polypropylene.
- For use at elevated temperatures or other unusual operating conditions, consult factory.

**SAFETY**  
**ALERT**



male adapter x female NPT

90° Elbow x FNPT		
Size	Polypropylene Part #	Opt Qty
1 1/2"	<b>90PPA150</b>	24
2"	<b>90PPA200</b>	24



male adapter x male NPT

90° Elbow x MNPT		
Size	Polypropylene Part #	Opt Qty
1 1/2"	<b>90PPF150</b>	24
2"	<b>90PPF200</b>	24



## Polypropylene Couplers

NOT recommended for use with PTFE gaskets

**SAFETY**  
ALERT

- Recommended for a maximum working pressure of **125 PSI** (1/2" - 1"), **100 PSI** (1 1/4" - 2") and **75 PSI** (3" - 4"); recommendations based on the use of mating Dixon fittings at an ambient temperature of **70°F** with standard seal installed.
- 1/2" couplers and adapters will interchange with 3/4" couplers and adapters. Only the threads and barbs are 1/2".  
1 1/4" couplers and adapters will interchange with 1 1/2" couplers and adapters. Only the threads and barbs are 1 1/4".
- Polypropylene cam and groove should not be mixed with metal fittings.
- supplied with EPDM gaskets, 304 stainless steel handles and pins
- Couplers are manufactured from a glass-filled polypropylene.

**SAFETY**  
ALERT

### type D

Size	Polypropylene Part #	Opt Qty
3/4" x 1/2"	<b>PPD50</b>	24
3/4"	<b>PPD75</b>	24
1"	<b>PPD100</b>	24
1 1/2" x 1 1/4"	<b>PPD125</b>	24
1 1/2"	<b>PPD150</b>	24
2"	<b>PPD200</b>	24
3"	<b>PPD300</b>	24
4"	<b>PPD400<sup>2</sup></b>	8



female coupler x female NPT

### type B

Size	Polypropylene Part #	Opt Qty
3/4" x 1/2"	<b>PPB50</b>	24
3/4"	<b>PPB75</b>	24
1"	<b>PPB100</b>	24
1 1/2" x 1 1/4"	<b>PPB125</b>	24
1 1/2"	<b>PPB150</b>	24
2"	<b>PPB200</b>	24
3"	<b>PPB300</b>	24
4"	<b>PPB400<sup>2</sup></b>	8



female coupler x male NPT

### type C

Size	Polypropylene Part #	Opt Qty
3/4" x 1/2"	<b>PPC50</b>	24
3/4"	<b>PPC75</b>	24
1"	<b>PPC100</b>	24
1 1/2" x 1 1/4"	<b>PPC125</b>	24
1 1/2"	<b>PPC150</b>	24
2"	<b>PPC200</b>	24
3"	<b>PPC300</b>	24
4"	<b>PPC400<sup>2</sup></b>	8



female coupler x hose shank

### type H<sup>1</sup>

Size	Polypropylene Part #	Opt Qty
3/4"	<b>PPH75</b>	24
1"	<b>PPH100</b>	24
1 1/2"	<b>PPH150</b>	24
2"	<b>PPH200</b>	24
3"	<b>PPH300</b>	24
4"	<b>PPH400<sup>2</sup></b>	8



dust cap



4" cap has 3 handles<sup>2</sup>

<sup>1</sup> Dust caps and dust plugs are not to be used in pressure applications for safety and environmental reasons.

**SAFETY**  
ALERT

<sup>2</sup> 4" coupler has 3 handles

locking handle pictured is only available in 1 1/4" thru 2"

## Polypropylene Coupler Elbows

- Recommended for a maximum working pressure of **100 PSI** (1 1/2" - 2"); recommendations based on the use of mating Dixon fittings at an ambient temperature of **70°F** with standard seal installed.
- Coupler elbows are manufactured from a glass-filled polypropylene.
- Supplied with EPDM gaskets, 304 stainless steel handles and pins.
- For use at elevated temperatures or other unusual operating conditions, consult factory.

**SAFETY**  
ALERT

### FNPT x 90° Elbow

Size	Polypropylene Part #	Opt Qty
1 1/2"	<b>90PPD150</b>	24
2"	<b>90PPD200</b>	24



female NPT x female coupler

### Hose Shank x 90° Elbow

Size	Polypropylene Part #	Opt Qty
1 1/2"	<b>90PPC150</b>	24
2"	<b>90PPC200</b>	24



hose shank x female coupler

## Replacement Parts for Polypropylene Cam & Groove

### Handles



1¼", 1½", 2"



½", ¾", 1", 3", 4"

Used on sizes	430 Stainless Steel Part #
½"	<b>61594</b>
¾"	<b>61594</b>
1"	<b>61594</b>
1¼"	<b>61595</b>
1½"	<b>61595</b>
2"	<b>61595</b>
3"	<b>61596</b>
4"	<b>61596</b>

### Gaskets



Used on sizes	EPDM Part #
½"	<b>61570</b>
¾"	<b>61570</b>
1"	<b>61571</b>
1¼"	<b>61572</b>
1½"	<b>61572</b>
2"	<b>61574</b>
3"	<b>61575</b>
4"	<b>62797</b>

### Key Rings



Used on sizes	304 Stainless Steel Part #
½"	<b>61589</b>
¾"	<b>61589</b>
1"	<b>61589</b>
1¼"	<b>61589</b>
1½"	<b>61589</b>
2"	<b>61589</b>
3"	<b>61589</b>
4"	<b>61589</b>

### Cam Handle Pins



Used on sizes	304 Stainless Steel Part #
½"	<b>61582</b>
¾"	<b>61582</b>
1"	<b>61582</b>
1¼"	<b>61585</b>
1½"	<b>61585</b>
2"	<b>61585</b>
3"	<b>61584</b>
4"	<b>61584</b>

### Safety Clips



Used on sizes	304 Stainless Steel Part #
1¼"	<b>63545</b>
1½"	<b>63545</b>
2"	<b>63545</b>

## Swaged Cam and Groove

- Developed specifically for chemical transport hoses having Crosslinked Polyethylene (XLPE) or Ultra High Molecular Weight Polyethylene (UHMW) tubes. Swaged Boss-Lock provides you with a permanently attached cam and groove fitting when superior coupling retention is required.
- In testing tank transport hoses from a wide variety of manufacturers, the swaged Boss-Lock fitting proved itself to be the clear winner in overall performance.
- Fittings are also available on special order for other sizes or hose OD's. Consult the factory for pricing and availability.
- Consult the factory for pricing and availability of the *special equipment required for installation*.

**SAFETY**  
**ALERT**

### EZ Boss-Lock type C coupler with ferrule

Size	Hose OD		316 Stainless Steel Part #
	from	to	
¾"	1-6/64"	1-22/64"	<b>RC075EZ-70</b>
1"	1-29/64"	1-35/64"	<b>RC100EZ-20</b>
1"	1-36/64"	1-44/64"	<b>RC100EZ-70</b>



coupler x hose shank with ferrule

### Boss-Lock type E adapter with ferrule

Size	Hose OD		316 Stainless Steel Part #
	from	to	
¾"	1-6/64"	1-22/64"	<b>RE075-1370</b>
1"	1-29/64"	1-35/64"	<b>RE100-1620</b>
1"	1-36/64"	1-44/64"	<b>RE100-1770</b>



adapter x hose shank with ferrule

## Notched Ferrules

Size	Hose OD		304 Stainless Steel Part #
	from	to	
1½"	1-60/64"	2-12/64"	<b>GAS2334NO</b>
1½"	2-4/64"	2-22/64"	<b>GAS2370NO</b>
2"	2-30/64"	2-44/64"	<b>GAS2709NO</b>
2"	2-42/64"	2-54/64"	<b>GAS2885NO</b>
3"	3-30/64"	3-46/64"	<b>GAS3760NO</b>
3"	3-47/64"	3-54/64"	<b>GAS3885NO</b>
4"	4-40/64"	4-47/64"	<b>GAS5010NO</b>



Dixon stems and ferrules are specifically designed to be used together as a coupling system.

Due to differences in dimensions and tolerances for safety reasons,  
do not use other manufacturer's stems or ferrules with Dixon products.

**SAFETY**  
**ALERT**

## Notched Cam and Groove

- The largest advantage of the notched EZ Boss-Lock design is that the coupling can be removed from a damaged hose by cutting away the ferrule, without necessarily damaging the fitting. *After inspection of the fitting to determine its suitability for reuse, it can be reinstalled into another hose by using a new ferrule.* **SAFETY ALERT**
- The notched EZ Boss-Lock system allows you to better manage your inventories. You can stock one coupling and two ferrules, and cover the same hose range with less inventory. *You must purchase a fitting and the matching ferrule to create an assembly.* **SAFETY ALERT**
- for use with notched ferrules on previous page

Dixon stems and ferrules are specifically designed to be used together as a coupling system. Due to differences in dimensions and tolerances for safety reasons, do not use other manufacturer's stems or ferrules with Dixon products.

**SAFETY ALERT**

### Couplers

#### EZ Boss-Lock type C with notched shank



female coupler x notched hose shank stainless steel

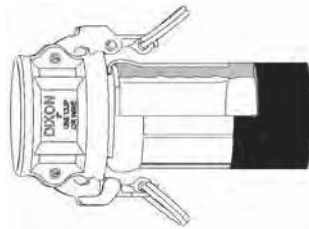
Size	316 Stainless Steel Part #
1½"	<b>RC150EZNO</b>
2"	<b>RC200EZNO</b>
3"	<b>RC300EZNO</b>
4"	<b>RC400EZNO</b>

#### Boss-Lock type C with notched shank



female coupler x notched hose shank stainless steel

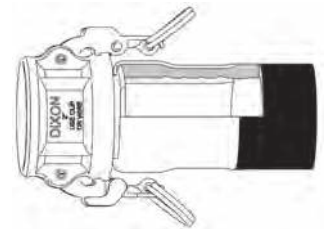
Size	316 Stainless Steel Part #
1½"	<b>RC150BLNO</b>
2"	<b>RC200BLNO</b>
3"	<b>RC300BLNO</b>
4"	<b>RC400BLNO</b>



crimped assembly

**SAFETY ALERT**

Contact the factory for swage and crimp recommendations.



swaged assembly

### Adapters

#### Boss-Lock type E with notched shank



male adapter x notched hose shank stainless steel

Size	316 Stainless Steel Part #
1½"	<b>RE150NO</b>
2"	<b>RE200NO</b>
3"	<b>RE300NO</b>
4"	<b>RE400NO</b>



swaged assembly

**SAFETY ALERT**

Contact the factory for swage and crimp recommendations.



crimped assembly

## Dixon Cam and Groove with Notched NOS Shank

- The largest advantage of the notched design is that the coupling can be removed from a damaged hose by cutting away the ferrule, without necessarily damaging the fitting. *After inspection of the fitting to determine its suitability for reuse, it can be reinstalled into another hose by using a new ferrule.* SAFETY ALERT
- The notched system allows you to better manage your inventories. You can stock one stem and two ferrules, and cover the same hose range with less inventory. *You must purchase a fitting and the matching ferrule to create an assembly.* SAFETY ALERT
- For hose outside diameters of 2-4/64" and below, *the couplings are crimp only.* SAFETY ALERT
- For hose outside diameters of 2-5/64" and above, the couplings can be crimped or swaged. SAFETY ALERT
- for use with notched ferrules at bottom of the page

**Only use the NOS shank with the NOS ferrules.**  
 Due to differences in dimensions and tolerances for safety reasons, do not use other manufacturer's stems or ferrules with Dixon products.

SAFETY  
ALERT

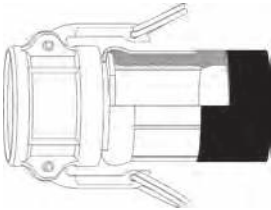
### Couplers

#### Dixon type C with NOS shank

Size	316 Stainless Steel Part #
1½"	<b>150CNOSSS</b>
2"	<b>200CNOSSS</b>
3"	<b>300CNOSSS</b>



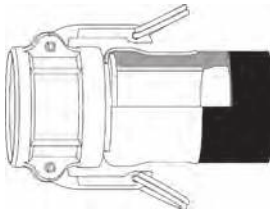
female coupler x notched NOS hose shank stainless steel



crimped assembly

SAFETY  
ALERT

*Contact the factory for swage and crimp recommendations.*



swaged assembly

### Adapters

#### type E with NOS shank

Size	316 Stainless Steel Part #
1½"	<b>150ENOSSS</b>
2"	<b>200ENOSSS</b>
3"	<b>300ENOSSS</b>



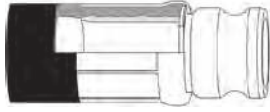
male adapter x notched NOS hose shank stainless steel



swaged assembly

SAFETY  
ALERT

*Contact the factory for swage and crimp recommendations.*



crimped assembly

### Notched NOS Ferrules

Size	Hose OD		Carbon Steel Part #	304 Stainless Steel Part #
	From:	To:		
1½"	1-60/64"	2-12/64"	<b>CAS2334NOS</b>	<b>GAS2334NOS</b>
1½"	2-4/64"	2-22/64"	<b>CAS2370NOS</b>	<b>GAS2370NOS</b>
2"	2-30/64"	2-44/64"	<b>CAS2709NOS</b>	<b>GAS2709NOS</b>
2"	2-42/64"	2-54/64"	<b>CAS2885NOS</b>	<b>GAS2885NOS</b>
3"	3-30/64"	3-46/64"	<b>CAS3760NOS</b>	<b>GAS3760NOS</b>
3"	3-47/64"	3-54/64"	<b>CAS3885NOS</b>	<b>GAS3885NOS</b>



carbon steel

## Dixon Tank Car Adapters



railroad thread x male adapter  
aluminum

- standard 5" Railroad Tank Car thread
- supplied with a Buna-N gasket in the threaded end, see below for other gasket types

Size	Aluminum Part #	Brass Part #	Iron Part #	316 Stainless Steel Part #
2"	<b>200-TCA-AL</b>	---	---	<b>200-TCA-SS</b>
3"	<b>300-TCA-AL</b>	<b>300-TCA-BR</b>	<b>300-TCA-MI</b>	<b>300-TCA-SS</b>
4"	<b>400-TCA-AL</b>	<b>400-TCA-BR</b>	---	<b>400-TCA-SS</b>

**SAFETY ALERT** Stainless steel adapters are not compatible with the aluminum and brass adapters.



swivel railroad thread x  
45° male adapter  
aluminum

- standard 5" Railroad Tank Car thread
- 45° tank car swivel adapter
- unit has a long handle brass swivel nut and a swivel retaining ring
- supplied with a Buna-N gasket in the threaded end, see below for other gasket types

Size	Aluminum Part #
4"	<b>40A-45TCAL</b>

## Dixon Railroad Tank Car Connections

- all swivel nuts have standard 5" Railroad Tank Car Thread
- supplied with a Buna-N gasket in the threaded end, other gasket types are available on previous page
- Tank car connections are also available in other materials and in 2" and 2½" sizes. Consult factory for pricing and availability.



railroad thread swivel nut  
x 20° hose shank  
iron

### Style S

- shank is 20° below horizontal

Shank Size	Swivel Nut	Iron Part #	Aluminum Part #
3"	5"	<b>TCS30</b>	<b>ATCS30</b>
4"	5"	<b>TCS40</b>	<b>ATCS40</b>



railroad thread swivel nut  
x 20° male NPT  
stainless steel

### Style T

- Stainless steel railroad tank car connections are not compatible with aluminum and brass. **SAFETY ALERT**
- 3" threaded end is 30° below horizontal
- 4" threaded end is 20° below horizontal

Male NPT	Swivel Nut	Iron Part #	Aluminum Part #	316 Stainless Steel Part #
3"	5"	<b>TCT30</b>	<b>ATCT30</b>	<b>RTCT30</b>
4"	5"	<b>TCT40</b>	<b>ATCT40</b>	<b>RTCT40</b>



railroad thread swivel nut  
x 20° adapter  
stainless steel

### Style A

- Stainless steel railroad tank car connections are not compatible with aluminum and brass. **SAFETY ALERT**
- adapter is 20° below horizontal

Adapter	Swivel Nut	316 Stainless Steel Part #
3"	5"	<b>RTCA30</b>
4"	5"	<b>RTCA40<sup>1</sup></b>

<sup>1</sup> Parts are produced as a welded fabrication.



## Dixon Railroad Tank Car Connections Style F

- for transloading bio and other fuels
- 4" TTMA flange can be bolted to sight glass or API adapter or other dry disconnect
- 4" flange end is 20° below horizontal



railroad thread swivel nut  
x 20° TTMA flange  
aluminum

TTMA Flange	Swivel Nut	Aluminum Part #
3"	5"	<b>ATCF40<sup>1</sup></b>

<sup>1</sup> Parts are produced as a welded fabrication.

## Cam and Groove x Cam and Groove Elbows

- Couplers are supplied standard with a Buna-N gasket.

### 45° Elbows

#### adapter x coupler

Size	Aluminum Part #	316 Stainless Steel Part #
2"	<b>200DA-45AL<sup>1</sup></b>	<b>200DA-45SS<sup>1</sup></b>
3"	<b>300DA-45AL</b>	<b>300DA-45SS<sup>1</sup></b>
4"	<b>400DA-45AL</b>	<b>400DA-45SS<sup>1</sup></b>
6"	<b>600DA-45AL</b>	---



male adapter x female coupler  
aluminum

<sup>1</sup> Parts are produced as a welded fabrication.

#### coupler x coupler

Size	Aluminum Part #	316 Stainless Steel Part #
2"	<b>200DD-45AL</b>	---
3"	<b>300DD-45AL</b>	<b>300DD-45SS</b>
4"	<b>400DD-45AL</b>	---
6"	<b>600DD-45AL</b>	---



female coupler x female coupler  
aluminum

Parts are produced as a welded fabrication.

### 90° Elbows

#### adapter x coupler

Size	Aluminum Part #	316 Stainless Steel Part #
1"	---	<b>100DA-90SS<sup>1</sup></b>
1½"	<b>150DA-90AL<sup>1</sup></b>	<b>150DA-90SS<sup>1</sup></b>
2"	<b>200DA-90AL</b>	<b>200DA-90SS</b>
3"	<b>300DA-90AL</b>	<b>300DA-90SS</b>
4"	<b>400DA-90AL</b>	<b>400DA-90SS</b>
5"	<b>500DA-90AL<sup>1</sup></b>	---
6"	<b>600DA-90AL</b>	<b>RDA90600EZ<sup>1,2</sup></b>



male adapter x female coupler  
aluminum

<sup>1</sup> Parts are produced as a welded fabrication.

<sup>2</sup> EZ Boss-Lock design (not pictured)

#### coupler x coupler

Size	Aluminum Part #	316 Stainless Steel Part #
2"	<b>200DD-90AL</b>	---
3"	<b>300DD-90AL</b>	<b>300DD-90SS</b>
4"	<b>400DD-90AL</b>	---
6"	<b>600DD-90AL</b>	---



female coupler x female coupler  
aluminum

Parts are produced as a welded fabrication.

## Cam and Groove Elbows

### Type A



male adapter x female NPT stainless steel

#### male adapter x female NPT 90° elbow

Size	Aluminum Part #	316 Stainless Steel Part #
1½"	<b>150A-90AL</b>	---
2"	<b>200A-90AL</b>	<b>200A-90SS</b> <sup>1</sup>
3"	<b>300A-90AL</b>	<b>300A-90SS</b>
4"	<b>400A-90AL</b>	---

<sup>1</sup> Parts are produced as a welded fabrication.

### Type D

- Couplers are supplied standard with a Buna-N gasket

#### female coupler x female NPT 90° elbow



female coupler x female NPT aluminum

Size	Aluminum Part #	Brass Part #	316 Stainless Steel Part #
1"	---	---	<b>100D-90SS</b>
1¼"	---	<b>125D-90BR</b>	---
1½"	<b>150D-90AL</b>	<b>150D-90BR</b>	---
2"	<b>200D-90AL</b>	<b>200D-90BR</b>	<b>200D-90SS</b>
3"	<b>300D-90AL</b>	---	<b>300D-90SS</b>
4"	<b>400D-90AL</b>	---	<b>400D-90SS</b> <sup>1</sup>
4"	<b>AD90400EZ</b> <sup>2</sup>	---	---
6"	<b>600D-90AL</b>	---	---

<sup>1</sup> Parts are produced as a welded fabrication.

<sup>2</sup> EZ Boss-Lock design (not pictured)

### Type E

#### male adapter x hose shank 90° elbow



male adapter x hose shank aluminum

Size	Aluminum Part #	316 Stainless Steel Part #
2"	---	<b>200E-90SS</b> <sup>1</sup>
3"	<b>300E-90AL</b>	<b>300E-90SS</b>
4"	<b>400E-90AL</b>	<b>400E-90SS</b> <sup>1</sup>
6"	<b>600E-90AL</b> <sup>1</sup>	---

<sup>1</sup> Parts are produced as a welded fabrication.

### Type C

- Couplers are supplied standard with a Buna-N gasket.

#### female coupler x hose shank 90° elbow



female coupler x hose shank aluminum

Size	Aluminum Part #	Brass Part #	316 Stainless Steel Part #
1¼"	---	<b>125C-90BR</b>	---
1½"	<b>150C-90AL</b>	---	<b>150C-90SS</b>
2"	<b>200C-90AL</b>	<b>200C-90BR</b>	<b>200C-90SS</b>
3"	<b>300C-90AL</b>	---	<b>300C-90SS</b>
4"	<b>400C-90AL</b>	---	<b>400C-90SS</b> <sup>1</sup>
6"	<b>600C-90AL</b>	---	---

<sup>1</sup> Parts are produced as a welded fabrication.

## Cam and Groove Elbows Type F

### male adapter x male NPT 90° elbow

Size	Aluminum Part #	316 Stainless Steel Part #
1½"	<b>150F-90AL</b>	---
2"	<b>200F90AL</b>	<b>200F-90SS <sup>1</sup></b>
3"	---	<b>300F-90SS <sup>1</sup></b>



male adapter x male NPT  
aluminum

<sup>1</sup> Parts are produced as a welded fabrication.

## Type B

- Couplers are supplied standard with a Buna-N gasket

### female coupler x male NPT 90° elbow

Size	Aluminum Part #	316 Stainless Steel Part #
1½"	<b>150B-90AL</b>	---
2"	<b>200B-90AL</b>	<b>200B-90SS <sup>1</sup></b>
3"	---	<b>300B-90SS <sup>1</sup></b>



female coupler x male NPT  
aluminum

<sup>1</sup> Parts are produced as a welded fabrication.

## Reducing Cam and Groove Couplings Type F

### male adapter x female NPT

Size	Aluminum Part #	316 Stainless Steel Part #
2" x 1½"	<b>2015-A-AL</b>	<b>2015-A-SS <sup>1</sup></b>
2" x 3"	<b>2030-A-AL</b>	<b>2030-A-SS</b>
3" x 2"	<b>3020-A-AL</b>	<b>3020-A-SS</b>
3" x 4"	<b>3040-A-AL</b>	---
4" x 3"	<b>4030-A-AL</b>	<b>4030-A-SS <sup>1</sup></b>
4" x 6"	<b>4060-A-AL</b>	---
6" x 4"	<b>6040-A-AL</b>	<b>6040-A-SS <sup>1</sup></b>



reducing  
male adapter x female NPT  
stainless steel

<sup>1</sup> Parts are produced as a welded fabrication.

## Type D

- Couplers are supplied standard with a Buna-N gasket

### female coupler x female NPT

Size	Aluminum Part #	Brass Part #	316 Stainless Steel Part #
1½" x 1"	<b>1510-D-AL <sup>1</sup></b>	---	<b>1510-D-SS <sup>1</sup></b>
2" x 1½"	<b>2015-D-AL</b>	---	<b>2015-D-SS</b>
3" x 2"	<b>3020-D-AL</b>	---	<b>3020-D-SS</b>
4" x 3"	<b>4030-D-AL</b>	<b>4030-D-BR</b>	<b>4030-D-SS <sup>1</sup></b>
5" x 4"	<b>5040-D-AL <sup>1</sup></b>	---	---
6" x 4"	<b>6040-D-AL <sup>1</sup></b>	---	---



reducing  
female coupler x female NPT  
aluminum

<sup>1</sup> Parts are produced as a welded fabrication.

## Reducing Cam and Groove Couplings

In reducing couplings, the cam and groove end is the first size given in the part number. (i.e., a 4030-B-AL is a 4" coupler to a 3" male NPT).

### Type E



reducing male adapter x hose shank aluminum

#### male adapter x hose shank

Size	Aluminum Part #	316 Stainless Steel Part #
2" x 1½"	<b>2015-E-AL</b> <sup>1</sup>	<b>2015-E-SS</b> <sup>1</sup>
3" x 2"	---	<b>3020-E-SS</b> <sup>1</sup>
3" x 2½"	---	<b>3025-E-SS</b>
4" x 3"	<b>4030-E-AL</b>	<b>4030-E-SS</b> <sup>1</sup>
5" x 4"	<b>5040-E-AL</b> <sup>1</sup>	---

<sup>1</sup> Parts are produced as a welded fabrication.

### Type C



reducing female coupler x hose shank stainless steel

- Couplers are supplied standard with a Buna-N gasket

#### female coupler x hose shank

Size	Aluminum Part #	316 Stainless Steel Part #
2" x 1½"	<b>2015-C-AL</b> <sup>1</sup>	<b>2015-C-SS</b> <sup>1</sup>
3" x 2"	<b>3020-C-AL</b>	<b>3020-C-SS</b>
3" x 2½"	---	<b>3025-C-SS</b>
3" x 4"	<b>3040-C-AL</b>	---
4" x 3"	<b>4030-C-AL</b>	<b>4030-C-SS</b> <sup>1</sup>
5" x 4"	<b>5040-C-AL</b> <sup>1</sup>	---

<sup>1</sup> Parts are produced as a welded fabrication.

### Type F



reducing male adapter x male NPT aluminum

#### male adapter x male NPT

Size	Aluminum Part #	316 Stainless Steel Part #
1½" x 2"	<b>1520-F-AL</b>	---
2" x 1½"	<b>2015-F-AL</b>	<b>2015-F-SS</b> <sup>1</sup>
2" x 3"	<b>2030-F-AL</b>	---
3" x 1½"	<b>3015-F-AL</b>	<b>3015-F-SS</b> <sup>1</sup>
3" x 2"	<b>3020-F-AL</b>	<b>3020-F-SS</b>
3" x 4"	<b>3040-F-AL</b>	---
4" x 3"	<b>4030-F-AL</b>	<b>4030-F-SS</b> <sup>1</sup>

<sup>1</sup> Parts are produced as a welded fabrication.

### Type B



reducing female coupler x male NPT stainless steel

- Couplers are supplied standard with a Buna-N gasket

#### female coupler x male NPT

Size	Aluminum Part #	316 Stainless Steel Part #
1½" x 1"	<b>1510-B-AL</b>	<b>1510-B-SS</b> <sup>1</sup>
2" x 1½"	<b>2015-B-AL</b>	<b>2015-B-SS</b> <sup>1</sup>
2" x 3"	<b>2030-B-AL</b>	---
3" x 2"	<b>3020-B-AL</b>	<b>3020-B-SS</b> <sup>1</sup>
3" x 4"	<b>3040-B-AL</b>	---
4" x 3"	<b>4030-B-AL</b>	<b>4030-B-SS</b> <sup>1</sup>

<sup>1</sup> Parts are produced as a welded fabrication.

## Dixon Reducing Cam and Groove Couplings

In reducing cam and groove couplings, the coupler is the first size in the part number; (i.e., a 4030-DA-AL is a 4" coupler to a 3" adapter).

- Couplers are supplied standard with a Buna-N gasket,

### coupler x adapter

Size	Aluminum Part #	316 Stainless Steel Part #
1" x 1½"	<b>1015-DA-AL</b> <sup>1</sup>	<b>1015-DA-SS</b> <sup>1</sup>
1½" x 1"	<b>1510DAAL</b>	<b>1510-DA-SS</b> <sup>1</sup>
1½" x 2"	<b>1520-DA-AL</b>	<b>1520-DA-SS</b>
2" x 1"	<b>2010-DA-AL</b> <sup>1</sup>	<b>2010-DA-SS</b> <sup>1</sup>
2" x 1½"	<b>2015-DA-AL</b>	<b>2015-DA-SS</b>
2" x 2½"	<b>2025-DA-AL</b> <sup>1</sup>	<b>2025-DA-SS</b> <sup>1</sup>
2" x 3"	<b>2030-DA-AL</b>	<b>2030-DA-SS</b>
2" x 4"	<b>2040-DA-AL</b>	<b>2040-DA-SS</b> <sup>1</sup>
2½" x 2"	---	<b>2520-DA-SS</b> <sup>1</sup>
2½" x 3"	---	<b>2530-DA-SS</b> <sup>1</sup>
3" x 1½"	<b>3015-DA-AL</b>	<b>3015-DA-SS</b> <sup>1</sup>
3" x 2"	<b>3020-DA-AL</b>	<b>3020-DA-SS</b>
3" x 2½"	<b>3025-DA-AL</b> <sup>1</sup>	<b>3025-DA-SS</b> <sup>1</sup>
3" x 4"	<b>3040-DA-AL</b>	<b>3040-DA-SS</b>
3" x 6"	<b>3060-DA-AL</b> <sup>1</sup>	<b>3060-DA-SS</b> <sup>1</sup>
4" x 2"	<b>4020-DA-AL</b>	<b>4020-DA-SS</b> <sup>1</sup>
4" x 2½"	<b>4025-DA-AL</b>	<b>4025-DA-SS</b> <sup>1</sup>
4" x 3"	<b>4030-DA-AL</b>	<b>4030-DA-SS</b>
4" x 5"	<b>4050-DA-AL</b>	---
4" x 6"	<b>4060-DA-AL</b>	<b>4060-DA-SS</b> <sup>1</sup>
5" x 3"	<b>5030-DA-AL</b> <sup>1</sup>	<b>5030-DA-SS</b> <sup>1</sup>
5" x 4"	<b>5040-DA-AL</b>	<b>5040-DA-SS</b> <sup>1</sup>
5" x 6"	<b>5060-DA-AL</b> <sup>1</sup>	<b>5060-DA-SS</b> <sup>1</sup>
6" x 3"	<b>6030-DA-AL</b>	<b>6030-DA-SS</b> <sup>1</sup>
6" x 4"	<b>6040-DA-AL</b>	<b>6040-DA-SS</b>
6" x 5"	<b>6050-DA-AL</b>	<b>6050-DA-SS</b> <sup>1</sup>
8" x 6"	<b>8060-DA-AL</b> <sup>1,2</sup>	---

<sup>1</sup> Parts are produced as a welded fabrication.

<sup>2</sup> The 8" coupler has 4 cam arms and *does not interchange*.



Size	Brass Part #	Iron Part #
3" x 2"	<b>3020-DA-BR</b>	<b>3020-DA-MI</b>
3" x 4"	<b>3040-DA-BR</b>	---
4" x 3"	<b>4030-DA-BR</b>	<b>4030-DA-MI</b>
6" x 4"	<b>6040-DA-BR</b>	<b>6040-DA-MI</b>



3" coupler x 1½" adapter aluminum



4" coupler x 6" adapter aluminum



3" coupler x 2½" adapter aluminum



5" coupler x 6" adapter aluminum

## Reducing Coupler x Adapter with Port

Size	Tap Size	316 Stainless Steel Part #
3" x 2"	¼"	<b>3020DAT25SS</b>
3" x 4"	3/8"	<b>3020DAT38SS</b>
4" x 3"	½"	<b>3020DAT50SS</b>
6" x 4"	¾"	<b>3020DAT75SS</b>



port on lug

## Boss-Lock Reducing Cam and Groove Couplings

In reducing cam and groove couplings, the coupler is the first size in the part number; (i.e., a ADA4030 is a 4" coupler to a 3" adapter).

- Couplers are supplied standard with a Buna-N gasket

### coupler x adapter



3" coupler x 2" adapter  
aluminum

Size	Aluminum Part #	316 Stainless Steel Part #
2" x 3"	<b>ADA2030</b> <sup>1</sup>	<b>RDA2030BL</b> <sup>1</sup>
2½" x 2"	<b>ADA2520</b> <sup>1</sup>	---
2½" x 3"	<b>ADA2530</b> <sup>1</sup>	---
3" x 2"	<b>ADA3020</b>	<b>RDA3020BL</b>
3" x 4"	<b>ADA3040</b> <sup>1</sup>	<b>RDA3040BL</b> <sup>1</sup>
4" x 2"	<b>ADA4020</b> <sup>1</sup>	<b>RDA4020BL</b> <sup>1</sup>
4" x 3"	<b>ADA4030</b>	<b>RDA4030BL</b>
6" x 4"	<b>ADA6040</b> <sup>1</sup>	---
8" x 6"	<b>ADA8060</b> <sup>1,2</sup>	---

<sup>1</sup> Parts are produced as a welded fabrication.

<sup>2</sup> The 8" coupler *does not interchange with any other style.*



## EZ Boss-Lock Reducing Cam and Groove Couplings

In reducing cam and groove couplings, the coupler is the first size in the part number; (i.e., a ADA4030EZ is a 4" coupler to a 3" adapter).

- Couplers are supplied standard with a Buna-N gasket

### coupler x adapter



3" coupler x 2" adapter  
aluminum

Size	Aluminum Part #	316 Stainless Steel Part #
2" x 3"	<b>ADA2030EZ</b> <sup>1</sup>	<b>RDA2030EZ</b> <sup>1</sup>
3" x 2"	<b>ADA3020EZ</b>	<b>RDA3020EZ</b>
3" x 4"	<b>ADA3040EZ</b> <sup>1</sup>	<b>RDA3040EZ</b> <sup>1</sup>
4" x 2"	<b>ADA4020EZ</b> <sup>1</sup>	<b>RDA4020EZ</b> <sup>1</sup>
4" x 3"	<b>ADA4030EZ</b>	<b>RDA4030EZ</b>
6" x 4"	<b>ADA6040EZ</b> <sup>1</sup>	<b>RDA6040EZ</b>

<sup>1</sup> Parts are produced as a welded fabrication.



## Dixon Lockable Dust Caps

- Couplers are supplied standard with a Buna-N gasket
- *Dust caps and dust plugs are not to be used in pressure applications for safety and environmental reasons.*



200DC-LAL  
aluminum

Size	Aluminum Part #	Brass Part #
1½"	<b>150DC-LAL</b>	<b>150DC-LBR</b>
2"	<b>200DC-LAL</b>	<b>200DC-LBR</b>
3"	<b>300DC-LAL</b>	<b>300DC-LBR</b>
4"	<b>400DC-LAL</b>	<b>400DC-LBR</b>
6"	<b>600DC-LAL</b>	---

- with angled, ergonomic thumb release



200DC-LSS  
stainless steel

Size	316 Stainless Steel Part #
1½"	<b>150DC-LSS</b>
2"	<b>200DC-LSS</b>
3"	<b>300DC-LSS</b>
4"	<b>400DC-LSS</b>



## Dixon Spool Adapters

### adapter x adapter

Size	Aluminum Part #	316 Stainless Steel Part #
1"	---	100-AA-SS
1¼"	---	125-AA-SS <sup>1</sup>
1½"	150-AA-AL	150-AA-SS
1½" x 2"	1520-AA-AL	1520-AA-SS
2"	200-AA-AL	200-AA-SS
2" x 3"	2030-AA-AL	2030-AA-SS
2" x 4"	2040-AA-AL	2040-AA-SS <sup>1</sup>
2½" x 3"	2530-AA-AL <sup>1</sup>	2530-AA-SS <sup>1</sup>
2½" x 4"	2540-AA-AL <sup>1</sup>	---
3"	300-AA-AL	300-AA-SS
3" x 4"	3040-AA-AL	3040-AA-SS <sup>1</sup>
4"	400-AA-AL	400-AA-SS
4" x 5"	4050-AA-AL	---
4" x 6"	4060-AA-AL	4060-AA-SS <sup>1</sup>
5"	500-AA-AL <sup>1</sup>	500-AA-SS <sup>1</sup>
5" x 6"	5060-AA-AL <sup>1</sup>	---
6"	600-AA-AL	600-AA-SS <sup>1</sup>

Size	Brass Part #
2"	200-AA-BR
3"	300-AA-BR



increaser / reducer  
stainless steel



same size  
aluminum

<sup>1</sup> Parts are produced as a welded fabrication **SAFETY ALERT**

## Dixon Spool Couplers

<sup>1</sup> Couplers are supplied standard with a Buna-N gasket

### coupler x coupler

Size	Aluminum Part #	316 Stainless Steel Part #
1½"	---	150-DD-SS <sup>1</sup>
2"	200-DD-AL	200-DD-SS
2" x 3"	2030-DD-AL	2030-DD-SS
3"	300-DD-AL	300-DD-SS
3" x 4"	3040-DD-AL	3040-DD-SS <sup>1</sup>
4"	400-DD-AL	400-DD-SS <sup>1</sup>
4" x 5"	4050-DD-AL <sup>1</sup>	4050-DD-SS <sup>1</sup>
4" x 6"	4060-DD-AL <sup>1</sup>	4060-DD-SS
5"	500-DD-AL <sup>1</sup>	500-DD-SS
6"	600-DD-AL <sup>1</sup>	600-DD-SS



increaser / reducer  
aluminum



same size  
aluminum

<sup>1</sup> Parts are produced as a welded fabrication **SAFETY ALERT**

## Boss-Lock Spool Couplers

Couplers are supplied standard with a Buna-N gasket

### coupler x coupler

Size	Aluminum Part #	Brass Part #
2"	ADD200 <sup>1</sup>	RDD200EZ
2" x 3"	ADD2030 <sup>1</sup>	RDD2030EZ <sup>1</sup>
3"	ADD300 <sup>1</sup>	RDD300EZ <sup>1</sup>
3" x 4"	ADD3040 <sup>1</sup>	RDD3040EZ <sup>1</sup>
4"	ADD400 <sup>1</sup>	RDD400EZ <sup>1</sup>
6"	---	RDD600EZ <sup>1</sup>



increaser / reducer  
aluminum



same size  
stainless steel

<sup>1</sup> Parts are produced as a welded fabrication **SAFETY ALERT**

## Adapters and Couplers x 150# Flanged Drilling



adapter x 150# ASA flange  
aluminum

### Dixon adapter x 150# flange

Size	Aluminum Part #	Iron Part #	316 Stainless Steel Part #	Approx. Flange Thickness
1"	---	---	<b>100-AL-SS</b>	9/16"
1½"	---	---	<b>150-AL-SS</b>	11/16"
2"	<b>200-AL-AL</b>	---	<b>200-AL-SS</b>	7/16"
3"	<b>300-AL-AL</b>	<b>300-AL-MI</b>	<b>300-AL-SS</b>	7/16"
4"	<b>400-AL-AL</b>	---	<b>400-AL-SS</b>	7/16"
6"	<b>600-AL-AL</b>	---	<b>600-AL-SS</b>	5/8"
8"	<b>800-AL-AL</b> <sup>1</sup>	---	---	--

<sup>1</sup> Parts are produced as a welded fabrication.

- Couplers are supplied standard with a Buna-N gasket.



coupler x 150# ASA flange  
stainless steel

### Dixon coupler x 150# flange

Size	Aluminum Part #	316 Stainless Steel Part #	Approx. Flange Thickness
1"	---	<b>100-DL-SS</b>	5/8"
1½"	---	<b>150-DL-SS</b>	25/32"
2"	<b>200-DL-AL</b>	<b>200-DL-SS</b>	7/16"
3"	<b>300-DL-AL</b>	<b>300-DL-SS</b>	7/16"
4"	<b>400-DL-AL</b>	<b>400-DL-SS</b>	7/16"
6"	<b>600-DL-AL</b>	<b>600-DL-SS</b>	5/8"
8"	<b>800-DL-AL</b> <sup>1</sup>	---	--

<sup>1</sup> Parts are produced as a welded fabrication.

- Couplers are supplied standard with a Buna-N gasket.



EZ Boss-Lock coupler  
x 150# ASA flange  
stainless steel

### EZ Boss-Lock coupler x 150# flange

Size	316 Stainless Steel Part #	Approx. Flange Thickness
1"	<b>RDL100EZ</b> <sup>1</sup>	9/16"
1½"	<b>RDL150EZ</b> <sup>1</sup>	11/16"
2"	<b>RDL200EZ</b>	7/16"
3"	<b>RDL300EZ</b> <sup>1</sup>	7/16"
4"	<b>RDL400EZ</b> <sup>1</sup>	7/16"
6"	<b>RDL600EZ</b> <sup>1</sup>	5/8"

<sup>1</sup> Parts are produced as a welded fabrication.

## In-Line Sight Glass for Bulk Transfer



- Designed for dry bulk transfer hose. Includes aluminum bodies, Buna seals, acrylic sight glasses, stainless steel hardware and bronze cam arms (where applicable).
- Not intended for liquid service, for dry bulk transfer *only*.

**SAFETY**  
**ALERT**

#### coupler x adapter

Size	Part #
4" x 4"	<b>3544CA</b>
3" x 3"	<b>3533CA</b>
4" x 3"	<b>3543CA</b>
3" x 4"	<b>3534CA</b>

#### adapter x adapter

Size	Part #
3" x 3"	<b>3533AA</b>
4" x 4"	<b>3544AA</b>
3" x 4"	<b>3534AA</b>

#### coupler x coupler

Size	Part #
4" x 4"	<b>3544CC</b>
3" x 3"	<b>3533CC</b>
4" x 3"	<b>3543CC</b>

### Specialty Items

#### coupler x adapter wye

Size	Aluminum Part #
2"	<b>200YDAAAL</b>



#### tank truck flanged tee

Size	Aluminum Part #
4"	<b>400-TLT-AL</b>



\* Minimum production quantities may be required. Some parts have a colored anodized surface finish.

### TTMA Series Flange Adapters

- provides a simple and easy way to quickly convert threaded components to a standard TTMA flange configuration
- more durable than welded fabrications due to the solid cast lightweight aluminum design
- design improves flow through adapter even on the 3" reducer
- compact size reduces the overall space needed to install

#### Male Threaded

##### TTMA flange x standard male NPT

TTMA Flange	Male NPT	Aluminum Part #
3"	3"	<b>TTF3AL-3MT</b>
4"	3"	<b>TTF4AL-3MT</b>
4"	4"	<b>TTF4AL-4MT</b>



TTMA flange x male NPT

#### Extended Length - Male Threaded

##### TTMA flange x extended length male NPT

TTMA Flange	Male NPT	Aluminum Part #
4"	3"	<b>TTF4AL-3EMT</b>
4"	4"	<b>TTF4AL-4EMT</b>



TTMA flange x male NPT extended length

#### Female Threaded

##### TTMA flange x female NPT

TTMA Flange	Female NPT	Aluminum Part #
4"	3"	<b>TTF4AL-3FT</b>
4"	4"	<b>TTF4AL-4FT</b>



TTMA flange x female NPT

#### Slip-on

##### TTMA flange x socket weld

TTMA Flange	Pipe Size	Aluminum Part #
4"	4"	<b>TTF400SP</b>



TTMA flange x socket weld

## TTMA Flange Extensions



TETF4AL



TETFG4AL

Flange extensions are used on load arms to connect the API load coupler to the load arm.

- adds a 6" space between the load arm and the tank truck
- Flange extension with groove provides a specified parting point to prevent excessive damage to the loading arm.

Size	Description	Aluminum Part #
4"	TTMA flange extension	<b>TETF4AL</b>
4"	TTMA flange extension with groove	<b>TETFG4AL</b>

## Dixon Adapters and Couplers x Round Tank Truck Flange



adapter x round tank truck flange aluminum

### adapter x round tank truck flange

Size	Aluminum Part #	316 Stainless Steel Part #
	3"	<b>300-ALT-AL</b>
3" x 4"	<b>3040ALTAL</b>	---
4"	<b>400-ALT-AL</b>	<b>400-ALT-SS<sup>1</sup></b>
6"	<b>600-ALT-AL</b>	---

<sup>1</sup> Parts are produced as a welded fabrication.

- Couplers are supplied standard with a Buna-N gasket.



coupler x round tank truck flange aluminum

### coupler x round tank truck flange

Size	Aluminum Part #
3"	<b>300-DLT-AL</b>
3" x 4"	<b>3040DLTAL</b>
4"	<b>400-DLT-AL</b>
6"	<b>600-DLT-AL</b>

## Dixon 22½° Adapters and Couplers x Round Tank Truck Flange



22½° adapter x round flange

### 22½° adapter x round tank truck flange

Size	Aluminum Part #
4"	<b>40022ALTAL</b>

- Couplers are supplied standard with a Buna-N gasket.



22½° coupler x round flange

### 22½° coupler x round tank truck flange

Size	Aluminum Part #
4"	<b>40022DLTAL</b>

## Round Tank Truck Flange Gaskets (TTMA)

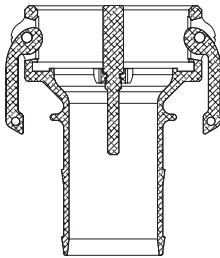


Size	OD	ID	THK	Material	Part #
3"	5-5/8"	3-1/2"	1/8"	Cork / Buna	<b>300GTTFCB</b>
3"	5-5/8"	3-1/2"	1/16"	PTFE envelope with Klinger filler	<b>300GTTFTK</b>
3"	5-5/8"	3-1/2"	1/8"	Klingersil® C-4401	<b>300GTTFK</b>
3"	5-7/8"	3-1/2"	1/4"	PTFE with fiber core	<b>40321TF</b>
4"	6-5/8"	4-9/16"	1/8"	Cork / Buna	<b>400GTTFCB</b>
4"	6-5/8"	4-9/16"	1/16"	PTFE envelope with Klinger filler	<b>400GTTFTK</b>
4"	6-5/8"	4-9/16"	1/8"	Klingersil® C-4401	<b>400GTTFK</b>
4"	6-7/8"	4-9/16"	1/4"	PTFE with fiber core	<b>40322TF</b>

### Dixon Vapor Recovery Couplers

- Not intended for liquid service, for vapor recovery *only*.
- cast aluminum body
- bronze arms with stainless steel pins
- plated carbon steel finger rings
- Buna-N gasket

**SAFETY  
ALERT**

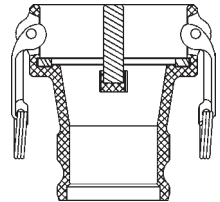


**coupler with probe x hose shank**

Coupler Size	Hose Shank Size	Aluminum Part #
4"	3"	<b>4030-CVR-AL</b>
4"	4"	<b>400-CVR-AL</b>



4030-CVR-AL

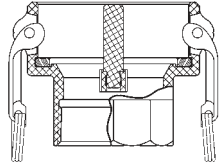


**coupler with probe x adapter**

Coupler Size	Adapter Size	Aluminum Part #
4"	3"	<b>4030-DAVR-AL</b>



4030-DAVR-AL

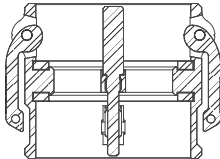


**coupler with probe x female NPT**

Coupler Size	Female NPT Size	Aluminum Part #
4"	3"	<b>4030-DVR-AL</b>
4"	4"	<b>400-DVR-AL</b>



4030-DVR-AL



**coupler with probe x coupler with probe**

Coupler Size	Coupler Size	Aluminum Part #
4"	4"	<b>400-DDVR-AL</b>

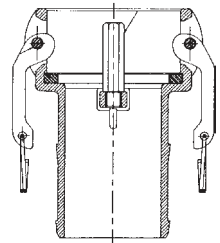


400-DDVR-AL

### Dixon Bayco Vapor Recovery Couplers

- Not intended for liquid service, for vapor recovery *only*.
- *The Dixon replacement handle assemblies will not work on these fittings.*
- for use with 3" vapor hose
- cast aluminum body, bronze arms with stainless steel pins and finger rings
- Buna-N gasket

**SAFETY  
ALERT**



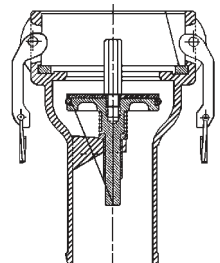
**coupler with probe x hose shank**

Coupler Size	Hose Shank Size	Aluminum Part #
3"	3"	<b>VRC3000AL</b>



VRC3000AL

- The VR4030CS-AL has a Viton® O-ring poppet seal.



**coupler with poppet and probe x hose shank**

Coupler Size	Hose Shank Size	Aluminum Part #
4"	3"	<b>VR4030CS-AL<sup>1</sup></b>



VR4030CS-AL

<sup>1</sup> Interchanges with all competitor vapor valves *except* Civacon #633LVH (special bulb design).

**SAFETY  
ALERT**



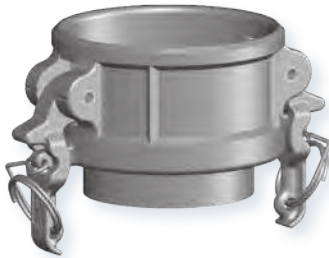
## Dixon Butt Weld to Tube Cam and Groove

- 316 stainless steel investment casting
- designed to be butt welded to standard sanitary tubing
- Final weld preparation, as with all weld fittings, is the responsibility of the welder.



### adapter x butt weld to tube end

Size	316 Stainless Steel Part #
1"	<b>RE100BT</b>
1½"	<b>RE150BT</b>
2"	<b>RE200BT</b>
3"	<b>RE300BT</b>



### Boss-Lock coupler x butt weld to tube end

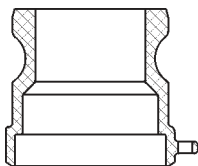
Size	316 Stainless Steel Part #
1"	<b>RC100BT</b>
1½"	<b>RC150BT</b>
2"	<b>RC200BT</b>
3"	<b>RC300BT</b>

## Dixon Adapters for Welding

- not all configurations are stocked
- Line drawings are for reference only. Consult the factory for specific dimensions.
- Final weld preparation, as with all weld fittings, is the responsibility of the welder.

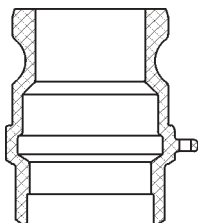


### socket weld to schedule 40 pipe



Size	Bore	Aluminum Part #	316 Stainless Steel Part #
¾"	1.065	---	<b>75AWSPSS</b>
1"	1.330	---	<b>100AWSPSS</b>
1½"	1.915	<b>150AWSPAL</b>	<b>150AWSPSS</b>
2"	2.390	<b>200AWSPAL</b>	<b>200AWSPSS</b>
3"	3.530	<b>300AWSPAL</b>	<b>300AWSPSS</b>
4"	4.530	<b>400AWSPAL</b>	<b>400AWSPSS</b>
5"	5.593	<b>500AWSPAL</b>	<b>500AWSPSS</b>
6"	6.655	<b>600AWSPAL</b>	<b>600AWSPSS</b>
8" DIX	8.711	<b>800AWSPAL</b> <sup>1</sup>	---
8" BL	8.711	<b>801AWSPAL</b> <sup>1</sup>	---

### butt weld to schedule 40 pipe / socket weld to nominal OD tubing



Size	Bore	Aluminum Part #	316 Stainless Steel Part #
¾"	.765	---	<b>75AWBPSTSS</b>
1"	1.015	---	<b>100AWBPSTSS</b>
1½"	1.515	<b>150AWBPSTAL</b>	<b>150AWBPSTSS</b>
2"	2.015	<b>200AWBPSTAL</b>	<b>200AWBPSTSS</b>
3"	3.015	<b>300AWBPSTAL</b>	<b>300AWBPSTSS</b>
4"	4.015	<b>400AWBPSTAL</b>	<b>400AWBPSTSS</b>
5"	5.015	<b>500AWBPSTAL</b>	<b>500AWBPSTSS</b>
6"	6.020	<b>600AWBPSTAL</b>	<b>600AWBPSTSS</b>
8" BL	8.035	<b>801AWBPSTAL</b> <sup>1</sup>	---

<sup>1</sup> Dixon and Boss-Lock cam and groove couplings *do not interchange in the 8" size.*





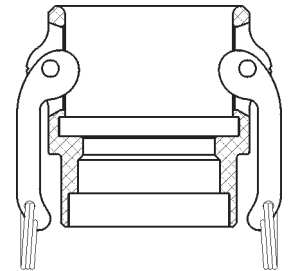
## Dixon Couplers for Welding

- not all configurations are stocked
- Boss-Lock versions are also available. Consult the factory for pricing and availability.
- Line drawings are for reference only. Consult the factory for specific dimensions.
- Final weld preparation, as with all weld fittings, is the responsibility of the welder.

**SAFETY**  
**ALERT**

### socket weld to schedule 40 pipe

Size	Bore	Aluminum Part #	316 Stainless Steel Part #
¾"	1.070	---	<b>75DWSPSS</b>
1"	1.335	<b>100DWSPAL</b>	<b>100DWSPSS</b>
1½"	1.925	<b>150DWSPAL</b>	<b>150DWSPSS</b>
2"	2.400	<b>200DWSPAL</b>	<b>200DWSPSS</b>
3"	3.540	<b>300DWSPAL</b>	<b>300DWSPSS</b>
4"	4.530	<b>400DWSPAL</b>	<b>400DWSPSS</b>
5"	5.670	<b>500DWSPAL</b>	<b>500DWSPSS</b>
6"	6.695	<b>600DWSPAL</b>	<b>600DWSPSS</b>
8"	8.711	<b>800DWSPAL</b> <sup>1</sup>	---

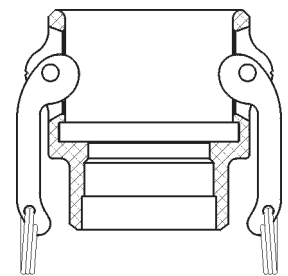


- <sup>1</sup> Dixon and Boss-Lock cam and groove couplings *do not interchange in the 8" size*.  
The 8" Dixon design has 4 cam arms.

**SAFETY**  
**ALERT**

### butt weld to schedule 40 pipe / socket weld to nominal OD tubing

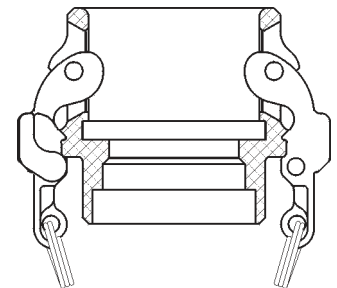
Size	Bore	Aluminum Part #	316 Stainless Steel Part #
¾"	.765	---	<b>75DWBPSTSS</b>
1"	1.015	---	<b>100DWBPSTSS</b>
1½"	1.515	<b>150DWBPSTAL</b>	<b>150DWBPSTSS</b>
2"	2.015	<b>200DWBPSTAL</b>	<b>200DWBPSTSS</b>
3"	3.015	<b>300DWBPSTAL</b>	<b>300DWBPSTSS</b>
4"	4.015	<b>400DWBPSTAL</b>	<b>400DWBPSTSS</b>
5"	5.015	<b>500DWBPSTAL</b>	---
6"	6.015	<b>600DWBPSTAL</b>	---



## EZ Boss-Lock Couplers for Welding

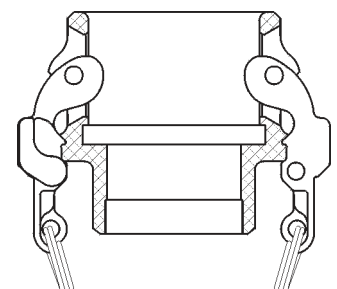
### socket weld to schedule 40 pipe

Size	Bore	316 Stainless Steel Part #
¾"	1.070	<b>RDWSP075EZ</b>
1"	1.335	<b>RDWSP100EZ</b>
1½"	1.925	<b>RDWSP150EZ</b>
2"	2.400	<b>RDWSP200EZ</b>
3"	3.540	<b>RDWSP300EZ</b>
4"	4.550	<b>RDWSP400EZ</b>
6"	6.695	<b>RDWSP600EZ</b>



### butt weld to schedule 40 pipe / socket weld to nominal OD tubing

Size	Bore	316 Stainless Steel Part #
¾"	.765	<b>RDWBPST075EZ</b>
1"	1.015	<b>RDWBPST100EZ</b>
1½"	1.515	<b>RDWBPST150EZ</b>
2"	2.015	<b>RDWBPST200EZ</b>
3"	3.015	<b>RDWBPST300EZ</b>
4"	4.015	<b>RDWBPST400EZ</b>
6"	6.015	<b>RDWBPST600EZ</b>



## Dixon Standard Handle Assemblies

- Stainless steel pins are standard with all assemblies.
- roll pins are 302 stainless and solid pins are 303 stainless
- Pull rings are standard on sizes 1 1/4" thru 6". Pull rings are optional on other sizes.



Coupler Size	Description	Brass Part #	316 Sintered Stainless Steel Part #	316 Investment Stainless Steel Part #
1/2"	cam arm and pin	---	<b>50-HP-SP</b>	---
3/4"	cam arm and pin	---	<b>75-HP-SP</b>	---
1"	cam arm and pin	---	<b>100-HP-SP</b>	---
1 1/4" - 2 1/2"	cam arm, ring and pin	<b>200-HRP-BR</b>	<b>200-HRP-SP</b>	---
2"	cam arm, ring and pin	---	---	<b>200-HSCR-SP-SI</b>
3"	cam arm, ring and pin	---	---	<b>300-HSCR-SP-SI</b>
3" - 5"	cam arm, ring and pin	<b>300-HRP-BR</b>	<b>300-HRP-SP</b>	---
3" - 5"	cam arm, ring and short (1 1/2") pin	<b>300-HR325P-BR</b>	<b>300-HR325P-SP</b>	<b>300-HR325P-SI</b>
6"	cam arm, ring and pin	<b>600-HRP-BR</b>	---	<b>600-HRP-SI</b>
8"	cam arm and pin for new coupler design	<b>800-HNP-BR</b>	---	---

## Locking Handle for Dixon Dust Caps



- not supplied with pins

Coupler Size	Hole Diameter	Brass Part #
2"	9/32"	<b>200-LH-BR</b>
3"	5/16"	<b>300-LH-BR</b>
4"	3/8"	<b>400-LH-BR</b>

## Paddle Handle for Dixon Couplings



- not supplied with pins

Coupler Size	Brass Part #
3" and 4"	<b>300H-PADBR</b>



Coupler Size	316 Investment Cast Stainless Steel Part #
3" and 4"	<b>300H-PADSS</b>

## Boss-Lock Standard Handle Assemblies

assembly includes cam arm, pin and pull ring safety clip



brass

Coupler Size	Brass Part #	316 Investment Cast Stainless Steel Part #	Plated Iron Part #
3/4" - 1"	<b>BHSC175</b>	<b>RHSC175</b>	---
1 1/4" - 2 1/2"	<b>BHSC152</b>	<b>RHSC152</b>	<b>IHSC152</b>
3" and 4"	<b>BHSC34</b>	<b>RHSC34</b>	<b>IHSC34</b>



brass

assembly includes cam arm, pin and pull ring

Coupler Size	Brass Part #	Plated Iron Part #
6" and 8"	<b>BH6</b>	<b>IH6</b>

## EZ Boss-Lock Handles

- investment cast stainless steel cam arm and lever
- 316 stainless steel spring
- stainless steel pin, washer, plated carbon steel pull ring

Coupler Size	316 Stainless Steel Part #
¾" - 1"	<b>RHEZ175</b>
1¼" - 2½"	<b>RHEZ152</b>
3" and 4"	<b>RHEZ34</b>
6" and 8"	<b>RHEZ6</b>



**SAFETY ALERT** Under no circumstances should the EZ Boss-Lock cam arms be used on any fitting not specifically produced for their use. The aluminum, brass and iron are made from sand castings. To ensure proper functioning of the EZ Boss-Lock cam arm assemblies, we sort the castings to ensure there is sufficient length and orientation on the lugs on the main casting to engage the lever. We also buff or grind the rougher sand cast surface to ensure that the lever will move freely. The EZ Boss-Lock cam arms cannot be retrofitted onto existing aluminum, brass or plated iron Boss-Lock already in service.

## Bayco Replacement Handle Assemblies

for Bayco couplers only

- brass cam arm
- carbon steel ring
- stainless steel pin

Coupler Size	Part #
1¼" - 2½"	<b>CARP12BZ</b>
3" - 5"	<b>CARP34BZ</b>
6"	<b>CARP60BZ</b>
8"	<b>CARP80BZ</b>



## Pull Ring Safety Clips for Boss-Lock Couplings

Coupler Size	Carbon Steel	316 Stainless Steel
	Part #	Part #
¾" - 1"	---	<b>100PRSCSS</b>
1¼" - 2½"	<b>200PRSCCS</b>	<b>200PRSCSS</b>
3" and 4"	<b>300PRSCCS</b>	<b>300PRSCSS</b>



## Stainless Steel Pull Ring

304 Stainless Steel Part #
<b>R200SS</b>



## Clips and Lanyards for Boss-Lock Couplings

- carbon steel clip
- nylon lanyard

Coupler Size	Part #
¾" - 1"	<b>ACL4</b>
1¼" - 4"	<b>ACL2</b>



- carbon steel clip
- no lanyard supplied with this clip

Coupler Size	Part #
6"	<b>ACL3</b>



### Carbon Steel Clip Assembly



- for use with Boss-Lock couplings
- includes a pull ring, chain and AC3 clip

Part #

**BLCA152CS**

### Clip for Boss-Lock Couplings



- .072 stainless steel wire

Stainless Steel

Part #

**AC7**

### Lanyard for Boss-Lock Couplings



- breaking strength: 160 lbs.
- overall length: 7" eye to eye

304 Stainless

Part #

**LR7**

### Jack Chains with S-Hooks



Length	Material	Part #	Opt Qty
6"	brass	<b>CH-B-6</b>	10
12"	brass	<b>CH-B-12</b>	10
24"	brass	<b>CH-B-24</b>	--
12"	carbon steel	<b>CH-C-12</b>	10
6"	stainless	<b>CH-SS-6</b>	10
12"	stainless	<b>CH-SS-12</b>	10
24"	stainless	<b>CH-SS-24</b>	10

### Sash Chains with Pull Rings



- brass chain, plated steel pull ring

Length	Part #
4½"	<b>J125</b>
6½"	<b>J150</b>
8½"	<b>J300</b>
12¾"	<b>J500</b>

### PVC Coated Lanyards



- PVC coated carbon steel with aluminum crimp sleeves
- one end factory crimped, one end uncrimped for field installation

Length	Part #
15"	<b>CAL15</b>
25"	<b>CAL25</b>

### Hand Swager with Cutter



- for 1/16", 3/32" and 1/8" wire rope
- designed for crimping aluminum oval sleeves
- jaws are made of forged alloy steel
- provides a clean, sharp cut on wire rope

Part #

**22-ST14C**

## Cam and Groove Gaskets



- White neoprene and white Buna-N gaskets all contain FDA approved materials.

Size	Buna-N Part #	Viton®-A Part #	extra thick Buna-N Part #	Ethylene Propylene Part #
½"	<b>50-G-BU</b>	<b>50-G-VI</b>	---	---
¾"	<b>75-G-BU</b>	<b>75-G-VI</b>	---	<b>75-G-EPR</b>
1"	<b>100-G-BU</b>	<b>100-G-VI</b>	<b>100GTHK</b>	<b>100-G-EPR</b>
1¼"	<b>125-G-BU</b>	<b>125-G-VI</b>	<b>125GTHK</b>	<b>125-G-EPR</b>
1½"	<b>150-G-BU</b>	<b>150-G-VI</b>	<b>150GTHK</b>	<b>150-G-EPR</b>
2"	<b>200-G-BU</b>	<b>200-G-VI</b>	<b>200GTHK</b>	<b>200-G-EPR</b>
2½"	<b>250-G-BU</b>	<b>250-G-VI</b>	<b>250GTHK</b>	<b>250-G-EPR</b>
3"	<b>300-G-BU</b>	<b>300-G-VI</b>	<b>300GTHK</b>	<b>300-G-EPR</b>
4"	<b>400-G-BU</b>	<b>400-G-VI</b>	<b>400GTHK</b>	<b>400-G-EPR</b>
5"	<b>500-G-BU</b>	<b>500-G-VI</b>	---	---
6"	<b>600-G-BU</b>	<b>600-G-VI</b>	---	---
8"	<b>800-G-BU</b>	<b>800-G-VI</b>	---	---

Size	Neoprene Part #	white Neoprene Part #	white Buna-N Part #	Silicone Part #
½"	---	---	---	---
¾"	<b>75-G-NE</b>	---	---	---
1"	<b>100-G-NE</b>	---	---	---
1¼"	<b>125-G-NE</b>	---	---	---
1½"	<b>150-G-NE</b>	<b>150-G-WNE</b>	---	<b>150-G-SIL</b>
2"	<b>200-G-NE</b>	<b>200-G-WNE</b>	---	<b>200-G-SIL</b>
2½"	<b>250-G-NE</b>	---	---	---
3"	<b>300-G-NE</b>	<b>300-G-WNE</b>	<b>300-G-WB</b>	<b>300-G-SIL</b>
4"	<b>400-G-NE</b>	<b>400-G-WNE</b>	<b>400-G-WB</b>	<b>400-G-SIL</b>
5"	---	<b>500-G-WNE</b>	---	---
6"	---	<b>600-G-WNE</b>	---	---
8"	---	---	---	---

## Cam and Groove Fuel Gaskets

Size	Part #	Material
3"	<b>300-G-BF</b>	Buna
4"	<b>400-G-BF</b>	Buna
4"	<b>400GTHKBF</b>	extra thick Buna-N



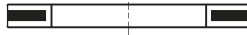
## PTFE Cam and Groove Gaskets

The torque (force) required to close the handles on a pair of cam and groove fittings will vary according to the gasket chosen. Due to the nature of the PTFE material, the various PTFE gasket designs will require the most torque, increasing as you go from envelope to encapsulated, and finally, accordion.

- PTFE white Buna filler (TFWB) and PTFE encapsulated silicone (TES) all contain FDA approved materials.
- PTFE accordion gaskets (TFACC) are recommended for use with viscous (thick) fluids only.
- Encapsulated gasket pressure ratings are reduced to **125 PSI** for ¾" - 4" at ambient temperature (**70°F**)
- PTFE encapsulated Viton® (TEV) gaskets - maximum operating temperature **200°F**
- PTFE encapsulated silicone gaskets (TES) gaskets - maximum operating temperature **225°F**
- *Maximum operating temperatures for specific chemicals may be lower.* Contact Dixon for specific recommendations.



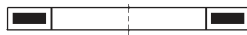
### Envelope



Envelope

Size	PTFE with Buna filler Part #	PTFE with Viton® filler Part #	PTFE with white Buna filler Part #	PTFE with Ethylene Propylene filler Part #
½"	<b>50-G-TF</b>	<b>50-G-TF-VI</b>	---	---
¾"	<b>75-G-TF</b>	<b>75-G-TF-VI</b>	---	---
1"	<b>100-G-TF</b>	<b>100GTFVI</b>	---	---
1¼"	<b>125-G-TF</b>	<b>125GTFVI</b>	---	---
1½"	<b>150-G-TF</b>	<b>150GTFVI</b>	---	<b>150GTFEP</b>
2"	<b>200-G-TF</b>	<b>200GTFVI</b>	<b>200GTFWB</b>	<b>200GTFEP</b>
2½"	<b>250-G-TF</b>	<b>250GTFVI</b>	---	---
3"	<b>300-G-TF</b>	<b>300GTFVI</b>	<b>300GTFWB</b>	<b>300GTFEP</b>
4"	<b>400-G-TF</b>	<b>400GTFVI</b>	<b>400GTFWB</b>	---
5"	---	---	<b>500GTFWB</b>	---
6"	<b>600-G-TF</b>	<b>600GTFVI</b>	---	---

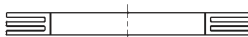
### Encapsulated



Encapsulated

Size	PTFE encapsulated silicone Part #	PTFE encapsulated Viton® Part #
½"	---	---
¾"	<b>75-G-TES</b>	<b>75-G-TEV</b>
1"	<b>100-G-TES</b>	<b>100-G-TEV</b>
1¼"	<b>125-G-TES</b>	<b>125-G-TEV</b>
1½"	<b>150-G-TES</b>	<b>150-G-TEV</b>
2"	<b>200-G-TES</b>	<b>200-G-TEV</b>
2½"	<b>250-G-TES</b>	<b>250-G-TEV</b>
3"	<b>300-G-TES</b>	<b>300-G-TEV</b>
4"	<b>400-G-TES</b>	<b>400-G-TEV</b>
5"	---	---
6"	---	---

### Accordion

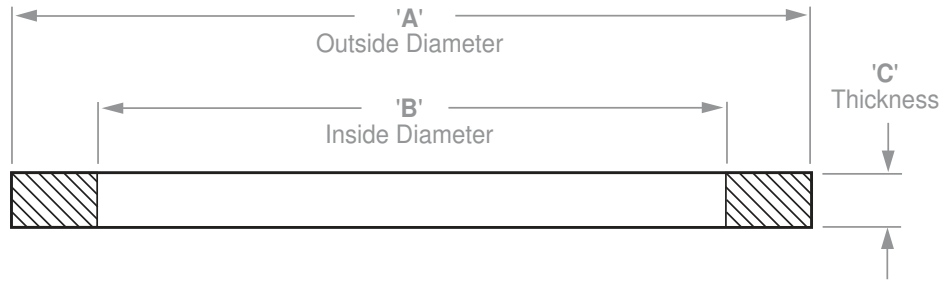


Accordion

Size	PTFE accordion Part #
½"	---
¾"	<b>75GTFACC</b>
1"	<b>100GTFACC</b>
1¼"	<b>125GTFACC</b>
1½"	<b>150GTFACC</b>
2"	<b>200GTFACC</b>
2½"	---
3"	<b>300GTFACC</b>
4"	---
5"	---
6"	---



## Dixon Cam and Groove Gasket Dimensions



- The following are the nominal dimensions for Dixon's elastomeric cam and groove gaskets.
- The ID's of the PTFE envelope gaskets and the PTFE accordion gaskets are *1/16" smaller than* the ID's for the elastomeric gaskets shown below.
- Thickness of PTFE accordion gaskets may vary from chart below.

Size	Part #	'A'	'B'	'C'
1/2"	<b>50-G</b> <sup>1</sup>	1-1/32"	11/16"	.156"
3/4"	<b>75-G</b>	1-3/8"	7/8"	.218"
1"	<b>100-G</b>	1-9/16"	1-1/16"	.250"
1 1/4"	<b>125-G</b>	1-15/16"	1-23/64"	.250"
1 1/2"	<b>150-G</b>	2-3/16"	1-5/8"	.250"
2"	<b>200-G</b>	2-5/8"	2"	.250"
2 1/2"	<b>250-G</b>	3-1/8"	2-3/8"	.250"
3"	<b>300-G</b>	3-23/32"	3"	.250"
4"	<b>400-G</b>	4-7/8"	4"	.250"
5"	<b>500-G</b>	5-15/16"	4-7/8"	.250"
6"	<b>600-G</b>	7-1/16"	6"	.250"
8"	<b>800-G</b> <sup>1</sup>	9-5/16"	8-1/8"	.343"

<sup>1</sup> No interchange standard exists for the 1/2" and 8" fittings. Generally, these sizes do not interchange with other manufacturer's products. As such, the gaskets in these sizes are not suitable for use in other manufacturers' couplings.

**SAFETY**  
**ALERT**

## Dixon Cam and Groove Gasket Color Codes

Gasket Code	Gasket Material	Material Color	Color code stripes (appear on the OD of the gasket or filler)
<b>-BU</b>	Buna-N ( <i>standard in all metal fittings</i> )	black	1 blue
<b>-BF</b>	Buna ( <i>formulated for fuel service</i> )	black	1 green
<b>-VI</b>	Viton®	black	1 yellow
<b>-THK</b>	Extra Thick Buna	black	2 blue
<b>-EPR</b>	Ethylene Propylene	black	1 white
<b>-NE</b>	Neoprene	black	1 red
<b>-WNE</b>	White Neoprene, <i>FDA approved material</i>	white	none
<b>-WB</b>	White Buna N, <i>FDA approved material</i>	white	blue
<b>-SIL</b>	Silicone	red	none
<b>-TF</b>	PTFE (TFE) Envelope with Buna-N filler	white / black	1 blue
<b>TFVI</b>	PTFE (TFE) Envelope with Viton® filler	white / black	1 yellow
<b>TFWB</b>	PTFE (TFE) Envelope with White Buna-N filler, <i>FDA approved materials</i>	white / white	blue
<b>TFEP</b>	PTFE (TFE) Envelope with Ethylene Propylene filler	white / black	1 white stripe
<b>-TES</b>	PTFE (FEP) Encapsulated Silicone core, <i>FDA approved materials</i>	translucent / red	none
<b>-TEV</b>	PTFE (FEP) Encapsulated Viton® core	translucent / black	none
<b>TFACC</b>	PTFE (TFE) Accordion, <i>FDA approved materials</i>	white	none

**SAFETY**  
**ALERT**

Since other manufacturer's coding systems vary, this chart should not be used as a reference in identifying gaskets of unknown origin.

Dixon is recognized as the premier manufacturer and supplier of hose fittings and accessories spanning a wide range of industrial uses. Dixon's range includes products for food, dairy processing, beverage and brewery, mobile tankers, mining, construction, chemical processing, petroleum, oilfields, refining and manufacturing.

[dixonvalve.com](http://dixonvalve.com) • *Customer Service:* 877.963.4966



*The Right Connection™*

### **Dixon Valve**

800 High Street, Chestertown, MD 21620

Fax: 800.283.4966