

4 Series

- Top Plate Swivel & Rigid
- Capacity up to 800 lbs each

www.colsoncaster.com



Standard Features

- Attractive zinc plated finish
- Full double ball hardened raceways
- 1/2" hollow axle with grease zerk and lock nut
- Plastic seal/retainer washer (roller bearing models)
- 1/4" steel top plate for durability
- Permanent rivet king pin with 5/8" diameter rivet
- Grease fittings: wheel bearing and swivel raceway
- "Colson 45" multi-temp grease lubricates in extreme hot and cold temperatures

Caster Brake



Tread Lock
(See page 18)
Available on all swivel casters except 3" diameter models (Specify **BRK1**).



Tech Lock®
(See page 18)
Available on all swivel casters except 3" diameter and swivel lock models. Rigid 6" model available (Specify **BRK2**).

Fork / Wheel Options



NSF Listed
(See page 3) All models except swivel lock, thread guards, forged steel and cast iron core wheels (Specify **FSI**).



Foot Activated Swivel Lock
(See page 19) Available on all swivel casters with standard top plate (Specify **MTG81**).



Hand Activated Swivel Lock
(See page 19) Available on all swivel casters in Bolt-On or Welded design.

DirtBan Swivel Seal
(See page 20) Not available on swivel lock models (Specify **SEAL**).

Thread Guards
(See page 114) Available on many models (Specify **TG1** for metal or **TG2** for plastic).

Axle/Nut Options
AX2 Solid Axle
NT1 Thick lock nut

Lube Options	Fork	Wheel
No Grease	GRF1	GRW1
Double Grease	GRF2	GRW2
300° Continuous	GRF3	GRW3
500° Continuous	Consult Factory	

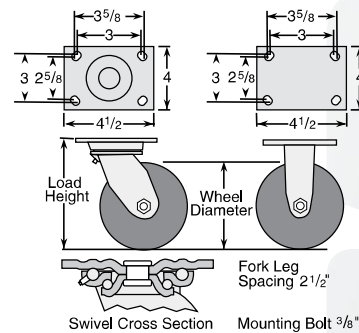


Total Lock
(See page 18)
Available on 4", 5", 6" & 8" swivel models (Specify **BRK4**).



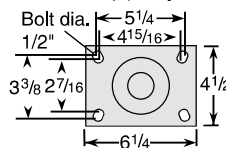
Top Lock
(See page 17)
Available on 4", 5", 6" and 8" swivel models (Specify **BRK7**).

Standard Dimensions

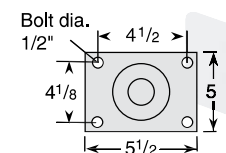


Optional Top Plates

#2 Top Plate (Specify MTG2).



#4 Top Plate (Specify MTG4).



Wheel Selection



Colson 4 Series Casters • Top Plate Swivel & Rigid • Capacity to 800 lbs

Wheel Dia.	Tread Width	Capacity Each (Pounds)	Wheel Descriptions	Swivel Top Plate Roller Bearing Caster Models	Rigid Top Plate Roller Bearing Caster Models	Optional Bearings (Order information below chart)	Load Height	Swivel Radius	Weight lbs (Rigid Deduct 1 lb)
3"	1 1/2"	225	Performa Rubber (Conductive/Flat)	4.03109.449 COND	4.03108.449 COND	PPBB	5 1/8	3 1/16	3 1/4
		250	Performa Rubber (Flat/Grey)	4.03109.449	4.03108.449	Delrin, PPBB	5 1/8	3 1/16	3 1/4
		300	Polyolefin	4.03109.819	4.03108.819	Delrin, Plain, PPBB	5 1/8	3 1/16	3 3/4
			Polyurethane HI-TECH	4.03109.919	4.03108.919	Delrin, PPBB	5 1/8	3 1/16	3 1/4
		425	Cast Iron	4.03109.119	4.03108.119	Delrin, PPBB	5 1/8	3 1/16	5
		600	Phenolic	4.03109.319	4.03108.319	Delrin, PPBB	5 1/8	3 1/16	3 3/4
		Thermo	4.03109.819 HT	4.03108.819 HT	Plain, Bronze	5 1/8	3 1/16	4 3/4	
4"	1 1/2"	255	Performa Rubber (Conductive/Flat)	4.04109.449 COND	4.04108.449 COND	PPBB	5 5/8	3 9/16	3 3/4
		325	Performa Rubber (Flat/Grey)	4.04109.449	4.04108.449	Delrin, PPBB	5 5/8	3 9/16	3 3/4
		375	Polyolefin	4.04109.819	4.04108.819	Delrin, Plain, PPBB	5 5/8	3 9/16	4 3/4
		400	Polyurethane HI-TECH	4.04109.919	4.04108.919	Delrin, PPBB	5 5/8	3 9/16	4
		500	Cast Iron	4.04109.119	4.04108.119	Delrin, PPBB	5 5/8	3 9/16	5 1/4
			Phenolic	4.04109.319	4.04108.319	Delrin, PPBB	5 5/8	3 9/16	3 3/4
		600	Thermo	4.04109.819 HT	4.04108.819 HT	Plain, Bronze	5 5/8	3 9/16	4 3/4
			Maxim	4.04109.519	4.04108.519	Delrin, Bronze, PPBB	5 5/8	3 9/16	3 3/4
5"	1 1/2"	280	Performa Rubber (Conductive/Flat)	4.05109.449 COND	4.05108.449 COND	PPBB	6 1/2	4 1/4	4 1/8
		350	Performa Rubber (Flat/Grey)	4.05109.449	4.05108.449	Delrin, PPBB	6 1/2	4 1/4	4 1/8
		450	Polyolefin	4.05109.819	4.05108.819	Delrin, Plain, PPBB	6 1/2	4 1/4	4 1/8
		500	Polyurethane HI-TECH	4.05109.919	4.05108.919	Delrin, PPBB	6 1/2	4 1/4	4 1/8
			Cast Iron	4.05109.119	4.05108.119	Delrin, PPBB	6 1/2	4 1/4	5 1/2
		600	Phenolic	4.05109.319	4.05108.319	Delrin, PPBB	6 1/2	4 1/4	3 3/4
		Thermo	4.05109.819 HT	4.05108.819 HT	Plain, Bronze	6 1/2	4 1/4	4 3/4	
6"	1 1/2"	300	Performa Rubber (Conductive/Flat)	4.06109.449 COND	4.06108.449 COND	PPBB	7 1/2	5	5
		375	Performa Rubber (Flat/Grey)	4.06109.449	4.06108.449	Delrin, PPBB	7 1/2	5	5
		500	Polyolefin	4.06109.819	4.06108.819	Delrin, Plain, PPBB	7 1/2	5	4 1/8
		600	Polyurethane HI-TECH	4.06109.919	4.06108.919	Delrin, PPBB	7 1/2	5	5
			Cast Iron	4.06109.119	4.06108.119	Delrin, PPBB	7 1/2	5	6 1/2
		800	Phenolic	4.06109.319	4.06108.319	PPBB	7 1/2	5	4 1/4
8"	1 1/2"	350	Performa Rubber (Conductive/Flat)	4.08199.449 COND	4.08198.449 COND	PPBB	9 1/2	6 1/2	5 3/4
		500	Performa Rubber (Flat/Grey)	4.08199.449	4.08198.449	Delrin, PPBB	9 1/2	6 1/2	5 3/4
		600	Polyolefin	4.08199.819	4.08198.819	Delrin, Plain, PPBB	9 1/2	6 1/2	4 1/2
		800	Polyurethane HI-TECH	4.08199.919	4.08198.919	Delrin, PPBB	9 1/2	6 1/2	5 3/4

All 4 Series swivel forks are notched to accommodate four position swivel locks.

Bearing Options

Wheels feature roller bearings in above chart. To order optional bearings, see information to the right. To order caster with no wheel bearing, consult factory.



Roller Bearing

Metal cage roller bearing (Specify **WB29**).
 Metal thrust & retainer washers (Specify **WSR1**).
 Sintered iron step washers (Specify **WSR2**).
 Sealed metal retainer washer (Specify **WSR3**).



Delrin Bearing

For standard two-piece bearing change ninth digit to "1" (Example: 4.06109.911).



Pedestal Precision Ball Bearing (PPBB)

To order change 9th digit to "5" (Example: 4.06109.915).



Bronze Bearing

To order, change the 9th digit in model number to "4" (Example: 4.05109.814 HT).

4 Series



4

Series

- Top Plate Swivel & Rigid
- Capacity up to 1250 lbs each

www.colsoncaster.com



Standard Features

- Attractive zinc plated finish
- Full double ball hardened raceways
- 1/2" hollow axle with grease zerk and lock nut
- Plastic seal/retainer washer (roller bearing models)
- 1/4" steel top plate for durability
- Permanent rivet king pin with 5/8" diameter rivet
- Grease fittings: wheel bearing and swivel raceway
- "Colson 45" multi-temp grease lubricates in extreme hot and cold temperatures

Fork / Wheel Options



NSF Listed
(See page 3) All models except swivel lock, thread guards, forged steel and cast iron core wheels (Specify **FS1**).



Foot Activated Swivel Lock
(See page 19) Available on all swivel casters with standard top plate (Specify **MTG81**).



Hand Activated Swivel Lock
(See page 19) Available on all swivel casters in Bolt-On or Welded design.

DirtBan Swivel Seal
(See page 20) Not available on swivel lock models (Specify **SEAL**).

Thread Guards
(See page 114) Available on many models (Specify **TG1** for metal or **TG2** for plastic).

Load Height Option
6" dia. models with 7 1/4" load height. Only Side Lock brakes (Specify LH7.25).

Axle/Nut Options
AX2 Solid Axle
NT1 Thick lock nut

Lube Options	Fork	Wheel
No Grease	GRF1	GRW1
Double Grease	GRF2	GRW2
300° Continuous	GRF3	GRW3
500° Continuous	Consult Factory	

Caster Brake



Tread Lock
(See page 18) Available on all swivel casters except 3 1/4" diameter and V-Groove models. (Specify **BRK1**).



Tech Lock®
(See page 18) Available on all swivel casters except 3 1/4" diameter, V-Groove and Swivel Lock models. 6" rigid model available (Specify **BRK2**).



Side Lock
(See page 17) Available on all swivel roller bearing or one piece Delrin models except 3 1/4" diameter (Specify **BRK3**).

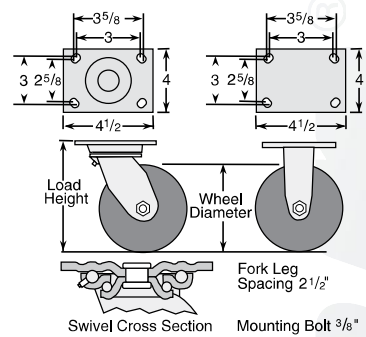


Total Lock
(See page 18) Available on 4", 5", 6" & 8" swivel models except 3 1/4" diameter and V-Groove wheels (Specify **BRK4**).



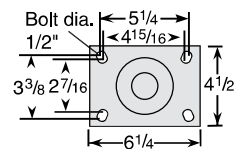
Top Lock
(See page 17) Available on 4", 5", 6" and 8" swivel models except V-Groove (Specify **BRK7**).

Standard Dimensions

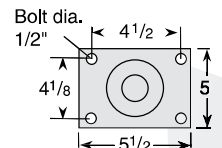


Optional Top Plates

#2 Top Plate (Specify **MTG2**).



#4 Top Plate (Specify **MTG4**).



Wheel Selection



Colson 4 Series Casters • Top Plate Swivel & Rigid • Capacity to 1250 lbs

Wheel Dia.	Tread Width	Capacity Each (Pounds)	Wheel Descriptions	Swivel Top Plate Roller Bearing Caster Models	Rigid Top Plate Roller Bearing Caster Models	Optional Bearings (Order information below chart)	Load Height	Swivel Radius	Weight lbs (Rigid Deduct 1.5 lbs)
3 1/4"	2"	700	Phenolic	4.03109.339	4.03108.339	Delrin, PPBB	5 1/4	3 3/16	4 3/4
			Maxim	4.03109.539	4.03108.539	Delrin, Bronze, PPBB	5 1/4	3 3/16	4 3/4
		300	Performa Rubber (Flat/Conductive)	4.04109.459 COND	4.04108.459 COND	PPBB	5 5/8	3 9/16	5 3/4
			Performa Rubber (Flat/Black)	4.04109.459.2	4.04108.459.2	Delrin, Prec. Ball, PPBB	5 5/8	3 9/16	5 3/4
		400	Performa Rubber (Flat/Grey)	4.04109.459	4.04108.459	Delrin, Prec. Ball, PPBB	5 5/8	3 9/16	5 3/4
			Trans-forma LT (Flat)	4.04109.489	4.04108.489	Delrin, PPBB	5 5/8	3 9/16	5 3/4
		500	Trans-forma (Flat)	4.04109.4E9	4.04108.4E9	Delrin, PPBB	5 5/8	3 9/16	5 3/4
			Moldon Rubber (Cast iron core)	4.04109.649.7	4.04108.649.7	Delrin, PPBB	5 5/8	3 9/16	7 1/4
		600	Polyolefin	4.04109.839	4.04108.839	Delrin, Plain, PPBB	5 5/8	3 9/16	4 1/2
			Trans-forma HD (Flat)	4.04109.4F9	4.04108.4F9	Delrin, PPBB	5 5/8	3 9/16	5 3/4
		700	Polyurethane HI-TECH	4.04109.929	4.04108.929	Delrin, PPBB	5 5/8	3 9/16	4 3/4
			Moldon Polyurethane (Aluminum core)	4.04109.939	4.04108.939	Delrin, PPBB	5 5/8	3 9/16	5 1/4
800	Moldon Polyurethane (Cast iron core)	4.04109.949.7	4.04108.949.7	Delrin, PPBB	5 5/8	3 9/16	7 1/4		
	Maxim	4.04109.539	4.04108.539	Delrin, Bronze, PPBB	5 5/8	3 9/16	4 1/8		
1000	Phenolic	4.04109.339	4.04108.339	Delrin, PPBB	5 5/8	3 9/16	5 3/4		
	Thermo	4.04109.839 HT	4.04108.839 HT	Plain, Bronze	5 5/8	3 9/16	6 3/4		
1000	V-Groove	4.04109.739	4.04108.739	Delrin, PPBB	5 5/8	3 9/16	8 1/8		
	Endura Solid Elastomer	4.04109.839 EN	4.04108.839 EN	Delrin, Prec. Ball, PPBB	5 5/8	3 9/16	5 3/4		
325	Cast Iron	4.04109.139	4.04108.139	Delrin, PPBB	5 5/8	3 9/16	7 7/8		
	Performa Rubber (Flat/Conductive)	4.05109.459 COND	4.05108.459 COND	PPBB	6 1/2	4 1/4	6 1/8		
400	Moldon Rubber (Cast iron core)	4.05109.649.7	4.05108.649.7	Delrin, PPBB	6 1/2	4 1/4	8 1/8		
	Trans-forma LT (Flat)	4.05109.489	4.05108.489	Delrin, PPBB	6 1/2	4 1/4	6 1/8		
450	Performa Rubber (Flat/Black)	4.05109.459.2	4.05108.459.2	Delrin, Prec. Ball, PPBB	6 1/2	4 1/4	6 1/8		
	Performa Rubber (Flat/Grey)	4.05109.459	4.05108.459	Delrin, Prec. Ball, PPBB	6 1/2	4 1/4	6 1/8		
500	Trans-forma (Flat)	4.05109.4E9	4.05108.4E9	Delrin, PPBB	6 1/2	4 1/4	6 1/8		
	Polyolefin	4.05109.839	4.05108.839	Delrin, Plain, PPBB	6 1/2	4 1/4	4 7/8		
650	Trans-forma HD (Flat)	4.05109.4F9	4.05108.4F9	Delrin, PPBB	6 1/2	4 1/4	6 1/8		
	Polyurethane HI-TECH	4.05109.929	4.05108.929	Delrin, PPBB	6 1/2	4 1/4	4 3/4		
750	Maxim	4.05109.539	4.05108.539	Delrin, Bronze, PPBB	6 1/2	4 1/4	4 1/2		
	Endura Solid Elastomer	4.05109.839 EN	4.05108.839 EN	Delrin, Prec. Ball, PPBB	6 1/2	4 1/4	5 3/4		
1000	Moldon Polyurethane (Aluminum core)	4.05109.939	4.05108.939	Delrin, PPBB	6 1/2	4 1/4	6 1/8		
	Moldon Polyurethane (Cast iron core)	4.05109.949.7	4.05108.949.7	Delrin, PPBB	6 1/2	4 1/4	8 1/8		
1000	Moldon Nylon	4.05109.939.3	4.05108.939.3	Delrin, PPBB	6 1/2	4 1/4	9 1/4		
	Phenolic	4.05109.339	4.05108.339	Delrin, PPBB	6 1/2	4 1/4	5 3/4		
1000	Thermo	4.05109.839 HT	4.05108.839 HT	Plain, Bronze	6 1/2	4 1/4	6 3/4		
	Cast Iron	4.05109.139	4.05108.139	Delrin, PPBB	6 1/2	4 1/4	8 7/8		
1250	Forced Steel	4.05109.239	4.05108.239	Delrin, PPBB	6 1/2	4 1/4	9 1/4		
	Trans-forma LT (Round)	4.06109.589	4.06108.589	Delrin, PPBB	7 1/2	5	6 1/8		
410	Performa Rubber (Flat/Conductive)	4.06109.459 COND	4.06108.459 COND	PPBB	7 1/2	5	6 1/8		
	Performa Rubber (Round/Conductive)	4.06109.559 COND	4.06108.559 COND	PPBB	7 1/2	5	6 1/8		
450	Performa Rubber (Round)	4.06109.559	4.06108.559	Delrin, Prec. Ball, PPBB	7 1/2	5	6 1/8		
	Trans-forma (Round)	4.06109.5E9	4.06108.5E9	Delrin, PPBB	7 1/2	5	6 1/8		
500	Moldon Rubber (Cast iron core)	4.06109.649.7	4.06108.649.7	Delrin, PPBB	7 1/2	5	10 1/2		
	Trans-forma LT (Flat)	4.06109.489	4.06108.489	Delrin, PPBB	7 1/2	5	6 1/8		
600	Performa Rubber (Flat/Black)	4.06109.459.2	4.06108.459.2	Delrin, Prec. Ball, PPBB	7 1/2	5	6 1/8		
	Performa Rubber (Flat/Grey)	4.06109.459	4.06108.459	Delrin, Prec. Ball, PPBB	7 1/2	5	6 1/8		
650	Trans-forma (Flat)	4.06109.4E9	4.06108.4E9	Delrin, PPBB	7 1/2	5	6 1/8		
	Trans-forma HD (Round)	4.06109.5F9	4.06108.5F9	Delrin, PPBB	7 1/2	5	6 1/8		
700	Polyolefin	4.06109.839	4.06108.839	Delrin, Plain, PPBB	7 1/2	5	5 1/2		
	Polyurethane HI-TECH	4.06109.929	4.06108.929	Delrin, PPBB	7 1/2	5	5		
900	Trans-forma HD (Flat)	4.06109.4F9	4.06108.4F9	Delrin, PPBB	7 1/2	5	6 1/8		
	Triumph (Round/Blue)*	4.06109.96TF	4.06108.96TF	Prec. Ball	7 1/2	5	7 1/2		
1100	Triumph (Round/Red)*	4.06109.96TS	4.06108.96TS	Prec. Ball	7 1/2	5	7 1/2		
	Endura Solid Elastomer	4.06109.839 EN	4.06108.839 EN	Delrin, Prec. Ball, PPBB	7 1/2	5	7		
1200	Maxim	4.06109.539	4.06108.539	Delrin, Bronze, PPBB	7 1/2	5	4 3/4		
	Moldon Polyurethane (Aluminum core)	4.06109.939	4.06108.939	Delrin, PPBB	7 1/2	5	7 1/2		
1200	Moldon Polyurethane (Cast iron core)	4.06109.949.7	4.06108.949.7	Delrin, PPBB	7 1/2	5	10 1/2		
	Moldon Nylon	4.06109.939.3	4.06108.939.3	Delrin, PPBB	7 1/2	5	9 1/4		
1250	Phenolic	4.06109.339	4.06108.339	Delrin, PPBB	7 1/2	5	7		
	V-Groove	4.06109.739	4.06108.739	Delrin, PPBB	7 1/2	5	10 1/2		
1250	Cast Iron	4.06109.139	4.06108.139	Delrin, PPBB	7 1/2	5	9 3/4		
	Forced Steel	4.06109.239	4.06108.239	Delrin, PPBB	7 1/2	5	10 1/4		
500	Performa Rubber (Flat/Conductive)	4.08199.459 COND	4.08198.459 COND	PPBB	9 1/2	6 1/2	6 1/4		
	Performa Rubber (Round/Conductive)	4.08199.559 COND	4.08198.559 COND	PPBB	9 1/2	6 1/2	6 1/4		
600	Moldon Rubber (Cast iron core)	4.08199.649.7	4.08198.649.7	Delrin, PPBB	9 1/2	6 1/2	13 1/4		
	Performa Rubber (Round/Grey)	4.08199.559	4.08198.559	Delrin, Prec. Ball, PPBB	9 1/2	6 1/2	6 1/4		
675	Performa Rubber (Flat/Black)	4.08199.459.2	4.08198.459.2	Delrin, Prec. Ball, PPBB	9 1/2	6 1/2	6 1/4		
	Performa Rubber (Flat/Grey)	4.08199.459	4.08198.459	Delrin, Prec. Ball, PPBB	9 1/2	6 1/2	6 1/4		
900	Polyolefin	4.08199.839	4.08198.839	Delrin, Plain, PPBB	9 1/2	6 1/2	5 3/4		
	Polyurethane HI-TECH	4.08199.929	4.08198.929	Delrin, PPBB	9 1/2	6 1/2	5 3/4		
1000	Endura Solid Elastomer	4.08199.839 EN	4.08198.839 EN	Delrin, Prec. Ball, PPBB	9 1/2	6 1/2	5 3/4		
	Triumph (Crown/Brown)*	4.08199.93TF	4.08198.93TF	Prec. Ball	9 1/2	6 1/2	8 1/4		
1200	Triumph (Crown/Red)*	4.08199.93TS	4.08198.93TS	Prec. Ball	9 1/2	6 1/2	8 1/4		
	Triumph (Round/Blue)*	4.08199.96TF	4.08198.96TF	Prec. Ball	9 1/2	6 1/2	8 1/4		
1250	Triumph (Round/Red)*	4.08199.96TS	4.08198.96TS	Prec. Ball	9 1/2	6 1/2	8 1/4		
	Maxim	4.08199.539	4.08198.539	Delrin, Bronze, PPBB	9 1/2	6 1/2	5 1/2		
1250	Moldon Polyurethane (Aluminum core)	4.08199.939	4.08198.939	Delrin, PPBB	9 1/2	6 1/2	8 1/4		
	Moldon Polyurethane (Cast iron core)	4.08199.949.7	4.08198.949.7	Delrin, PPBB	9 1/2	6 1/2	13 1/4		
1250	Moldon Nylon	4.08199.939.3	4.08198.939.3	Delrin, PPBB	9 1/2	6 1/2	9 1/4		
	Phenolic	4.08199.339	4.08198.339	Delrin, PPBB	9 1/2	6 1/2	8 1/2		
1250	Cast Iron	4.08199.139	4.08198.139	Delrin, PPBB	9 1/2	6 1/2	12 1/2		

*Triumph wheels available with Precision ball bearing only. All 4 Series swivel forks are notched to accommodate four position swivel locks.

Bearing Options

Wheels feature roller bearings in above chart. To order optional bearings, see information to the right. To order caster with no wheel bearing, consult factory.



Roller Bearing
Metal cage roller bearing (Specify **WB29**).
Metal thrust & retainer washers (Specify **WSR1**).
Sintered iron step washers (Specify **WSR2**).
Sealed metal retainer washer (Specify **WSR3**).



Torrington Roller Bearing
Torrington style roller bearing with retainer (Specify **WB19**).



Delrin Bearing
For standard two-piece bearing change 9th digit to "1" (Example: 4.06109.921).
One-piece with steel thrust washers (Specify **WB11**).



Precision Ball Bearing
To order change 8th and 9th digits to "P5" (Example 4.06109.4P5).



Pedestal Precision Ball Bearing (PPBB)
To order change 9th digit to "5" (Example: 4.06109.4E5).



Bronze Bearing
To order, change the 9th digit in model number to "4" (Example: 4.06109.534).

4 Series

4

Series

www.colsoncaster.com

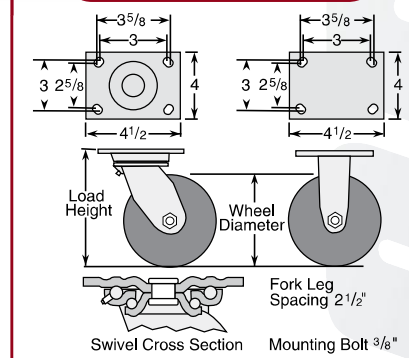
- Stainless Steel Top Plate Swivel & Rigid
- Capacity up to 1250 lbs each

Standard Features

- Polished stainless steel (Grade 304)
- 1/2" stainless steel hollow axle with grease zerk, nut and lock washer
- 1/4" standard steel top plate for durability
- Permanent rivet king pin with 5/8" diameter rivet
- Grease fittings: wheel bearing and swivel raceway
- "Colson 45" multi-temp grease lubricates in extreme hot and cold temperatures



Standard Dimensions



Caster Brake



Tech Lock®
(See page 18)
Available on all swivel and 6" rigid casters (Specify **BRK2**).



Side Lock
(See page 17)
Stainless steel design available on all swivel casters with one-piece Delrin bearing or roller bearing only (Specify **BRK3**).



Top Lock
(See page 18)
New stainless steel design available on all swivel models (Specify **BRK7**).

Fork / Wheel Options



NSF Listed
(See page 3) All models except swivel lock, thread guards, forged steel and cast iron core wheels (Specify **FS1**).



Foot Activated Swivel Lock
(See page 19) Available on all swivel casters with standard top plate (Specify **MTG81**).

DirtBan Swivel Seal
(See page 20) Not available on swivel lock models (Specify **SEAL**).

Thread Guards
(See page 114) Available on many models (Specify **TG1** for metal or **TG2** for plastic).

Wheel Selection



Colson 4 Series Casters • Stainless Steel Top Plate Swivel & Rigid • Capacity to 1250 lbs

Wheel Dia.	Tread Width	Capacity Each (Pounds)	Wheel Descriptions	Swivel Top Plate SS Roller Bearing Caster Models	Rigid Top Plate SS Roller Bearing Caster Models	Wheel Bearing	Load Height	Swivel Radius	Weight (Pounds)
4"	2"	300	Performa Rubber (Flat/Conductive)	4.04109.459 COND SS	4.04108.459 COND SS	PPBB	5 ⁵ / ₈	3 ⁹ / ₁₆	5 ³ / ₄
			Performa Rubber (Flat/Black)	4.04109.459.2 SS	4.04108.459.2 SS	Delrin, Bronze, PPBB	5 ⁵ / ₈	3 ⁹ / ₁₆	5 ³ / ₄
		400	Performa Rubber (Flat/Grey)	4.04109.459 SS	4.04108.459 SS	Delrin, Bronze, PPBB	5 ⁵ / ₈	3 ⁹ / ₁₆	5 ³ / ₄
			Trans-forma LT (Flat)	4.04109.4B9 SS	4.04108.4B9 SS	Delrin, Bronze, PPBB	5 ⁵ / ₈	3 ⁹ / ₁₆	5 ³ / ₄
			Trans-forma (Flat)	4.04109.4E9 SS	4.04108.4E9 SS	Delrin, Bronze, PPBB	5 ⁵ / ₈	3 ⁹ / ₁₆	5 ³ / ₄
		500	Polyolefin	4.04109.839 SS	4.04108.839 SS	Delrin, Bronze, Plain, PPBB	5 ⁵ / ₈	3 ⁹ / ₁₆	4 ¹ / ₂
			Trans-forma HD (Flat)	4.04109.4F9 SS	4.04108.4F9 SS	Delrin, Bronze, Plain	5 ⁵ / ₈	3 ⁹ / ₁₆	5 ³ / ₄
		600	Polyurethane HI-TECH	4.04109.929 SS	4.04108.929 SS	Delrin, Bronze, PPBB	5 ⁵ / ₈	3 ⁹ / ₁₆	4 ³ / ₄
			Maxim	4.04109.539 SS	4.04108.539 SS	Delrin, Bronze, PPBB	5 ⁵ / ₈	3 ⁹ / ₁₆	5 ³ / ₄
			Phenolic	4.04109.339 SS	4.04108.339 SS	Delrin, PPBB	5 ⁵ / ₈	3 ⁹ / ₁₆	5 ³ / ₄
		800	Thermo	4.04109.839 HT SS	4.04108.839 HT SS	Plain, Bronze	5 ⁵ / ₈	3 ⁹ / ₁₆	5 ³ / ₄
			Endura Solid Elastomer	4.04109.839 EN SS	4.04108.839 EN SS	Delrin, Bronze, PPBB	5 ⁵ / ₈	3 ⁹ / ₁₆	5 ³ / ₄
5"	2"	325	Performa Rubber (Flat/Conductive)	4.05109.459 COND SS	4.05108.459 COND SS	PPBB	6 ¹ / ₂	4 ¹ / ₄	6 ¹ / ₈
			Trans-forma LT (Flat)	4.05109.4B9 SS	4.05108.4B9 SS	Delrin, Bronze, PPBB	6 ¹ / ₂	4 ¹ / ₄	6 ¹ / ₈
		500	Performa Rubber (Flat/Black)	4.05109.459.2 SS	4.05108.459.2 SS	Delrin, Bronze, PPBB	6 ¹ / ₂	4 ¹ / ₄	6 ¹ / ₈
			Performa Rubber (Flat/Grey)	4.05109.459 SS	4.05108.459 SS	Delrin, Bronze, PPBB	6 ¹ / ₂	4 ¹ / ₄	6 ¹ / ₈
			Trans-forma (Flat)	4.05109.4E9 SS	4.05108.4E9 SS	Delrin, Bronze, PPBB	6 ¹ / ₂	4 ¹ / ₄	6 ¹ / ₈
		650	Polyolefin	4.05109.839 SS	4.05108.839 SS	Delrin, Bronze, Plain, PPBB	6 ¹ / ₂	4 ¹ / ₄	4 ⁷ / ₈
			Trans-forma HD (Flat)	4.05109.4F9 SS	4.05108.4F9 SS	Delrin, Bronze, PPBB	6 ¹ / ₂	4 ¹ / ₄	6 ¹ / ₈
		750	Polyurethane HI-TECH	4.05109.929 SS	4.05108.929 SS	Delrin, Bronze, PPBB	6 ¹ / ₂	4 ¹ / ₄	4 ⁷ / ₈
			Maxim	4.05109.539 SS	4.05108.539 SS	Delrin, Bronze, PPBB	6 ¹ / ₂	4 ¹ / ₄	5 ⁷ / ₈
			Phenolic	4.05109.339 SS	4.05108.339 SS	Delrin, PPBB	6 ¹ / ₂	4 ¹ / ₄	5 ⁷ / ₈
		1000	Thermo	4.05109.839 HT SS	4.05108.839 HT SS	Plain, Bronze	6 ¹ / ₂	4 ¹ / ₄	5 ⁷ / ₈
			Endura Solid Elastomer	4.05109.839 EN SS	4.05108.839 EN SS	Delrin, Bronze, PPBB	6 ¹ / ₂	4 ¹ / ₄	5 ⁷ / ₈
Endura Solid Elastomer	4.05109.839 EN SS		4.05108.839 EN SS	Delrin, Bronze, PPBB	6 ¹ / ₂	4 ¹ / ₄	5 ⁷ / ₈		
6"	2"	400	Trans-forma LT (Round)	4.06109.5B9 SS	4.06108.5B9 SS	Delrin, Bronze, PPBB	7 ¹ / ₂	5	7 ¹ / ₈
			Performa Rubber (Flat/Conductive)	4.06109.459 SS	4.06108.459.2 SS	PPBB	7 ¹ / ₂	5	6 ¹ / ₈
		450	Performa Rubber (Round/Grey)	4.06109.559 SS	4.06108.559 SS	Delrin, Bronze, PPBB	7 ¹ / ₂	5	7 ¹ / ₈
			Trans-forma (Round)	4.06109.5E9 SS	4.06108.5E9 SS	Delrin, Bronze, PPBB	7 ¹ / ₂	5	7 ¹ / ₈
		500	Trans-forma LT (Flat)	4.06109.4B9 SS	4.06108.4B9 SS	Delrin, Bronze, PPBB	7 ¹ / ₂	5	7 ¹ / ₈
			Performa Rubber (Flat/Black)	4.06109.459.2 SS	4.06108.459.2 SS	Delrin, Bronze, PPBB	7 ¹ / ₂	5	7 ¹ / ₈
		600	Performa Rubber (Flat/Grey)	4.06109.459 SS	4.06108.459 SS	Delrin, Bronze, PPBB	7 ¹ / ₂	5	7 ¹ / ₈
			Trans-forma (Flat)	4.06109.4E9 SS	4.06108.4E9 SS	Delrin, Bronze, PPBB	7 ¹ / ₂	5	7 ¹ / ₈
			Trans-forma HD (Round)	4.06109.5F9 SS	4.06108.5F9 SS	Delrin, Bronze, PPBB	7 ¹ / ₂	5	7 ¹ / ₈
		650	Polyolefin	4.06109.839 SS	4.06108.839 SS	Delrin, Bronze, Plain, PPBB	7 ¹ / ₂	5	5 ¹ / ₂
			Polyurethane HI-TECH	4.06109.929 SS	4.06108.929 SS	Delrin, Bronze, PPBB	7 ¹ / ₂	5	5
		900	Trans-forma HD (Flat)	4.06109.4F9 SS	4.06108.4F9 SS	Delrin, Bronze, PPBB	7 ¹ / ₂	5	7 ¹ / ₈
Endura Solid Elastomer	4.06109.839 EN SS		4.06108.839 EN SS	Delrin, Bronze, PPBB	7 ¹ / ₂	5	6		
1100	Thermo	4.06109.839 HT SS	4.06108.839 HT SS	Plain, Bronze	7 ¹ / ₂	5	6		
	Maxim	4.06109.539 SS	4.06108.539 SS	Delrin, Bronze, PPBB	7 ¹ / ₂	5	6		
1200	Phenolic	4.06109.339 SS	4.06108.339 SS	Delrin, PPBB	7 ¹ / ₂	5	6		
	Phenolic	4.06109.339 SS	4.06108.339 SS	Delrin, PPBB	7 ¹ / ₂	5	6		
8"	2"	500	Performa Rubber (Flat/Conductive)	4.08199.459 COND SS	4.08198.459 COND SS	PPBB	9 ¹ / ₂	6 ¹ / ₂	6 ¹ / ₄
			Performa Rubber (Round/Grey)	4.08199.559 SS	4.08198.559 SS	Delrin, Bronze, PPBB	9 ¹ / ₂	6 ¹ / ₂	8 ¹ / ₈
		600	Performa Rubber (Flat/Black)	4.08199.459.2 SS	4.08198.459.2 SS	Delrin, Bronze, PPBB	9 ¹ / ₂	6 ¹ / ₂	8 ¹ / ₈
			Performa Rubber (Flat/Grey)	4.08199.459 SS	4.08198.459 SS	Delrin, Bronze, PPBB	9 ¹ / ₂	6 ¹ / ₂	8 ¹ / ₈
		675	Polyolefin	4.08199.839 SS	4.08198.839 SS	Delrin, Bronze, Plain, PPBB	9 ¹ / ₂	6 ¹ / ₂	5 ³ / ₄
			Polyurethane HI-TECH	4.08199.929 SS	4.08198.929 SS	Delrin, Bronze, PPBB	9 ¹ / ₂	6 ¹ / ₂	5 ³ / ₄
		900	Endura Solid Elastomer	4.08199.839 EN SS	4.08198.839 EN SS	Delrin, Bronze, PPBB	9 ¹ / ₂	6 ¹ / ₂	6 ³ / ₄
			Maxim	4.08199.539 SS	4.08198.539 SS	Delrin, Bronze, PPBB	9 ¹ / ₂	6 ¹ / ₂	6 ³ / ₄
1250	Phenolic	4.08199.339 SS	4.08198.339 SS	Delrin, Bronze, PPBB	9 ¹ / ₂	6 ¹ / ₂	6 ³ / ₄		

All 4 Series swivel forks are notched to accommodate four position swivel locks.

Bearing Options

Wheels feature roller bearings in above chart. To order optional bearings, see information to the right. To order caster with no wheel bearing, consult factory.



Roller Bearing
Stainless Steel cage roller bearing (Specify **WB29**).
Stainless Steel thrust & retainer washers (Specify **WSR1**).



Delrin Bearing
For standard two-piece bearing change 9th digit to "1" (Example: 4.06109.921 SS).
One-piece with steel thrust washers (Specify **WB11**).



Pedestal Precision Ball Bearing (PPBB)
To order change 9th digit to "5" (Example: 4.06109.925 SS).
Available in stainless steel; consult factory.



Bronze Bearing
To order, change the 9th digit in model number to "4" (Example: 4.06109.534 SS).

4 Series

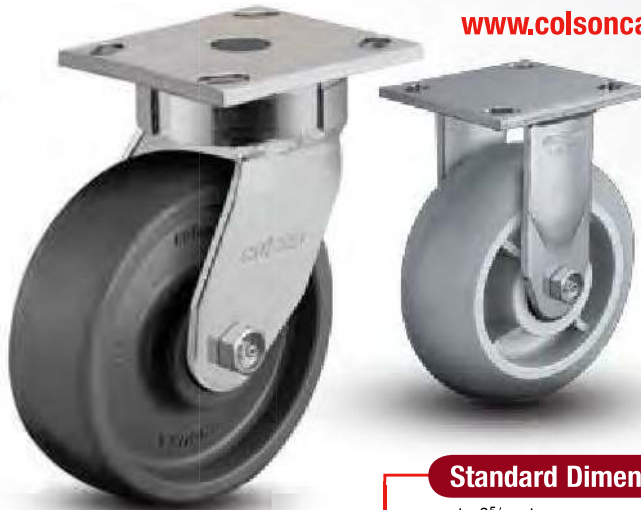
4 Series ENFORCER

www.colsoncaster.com

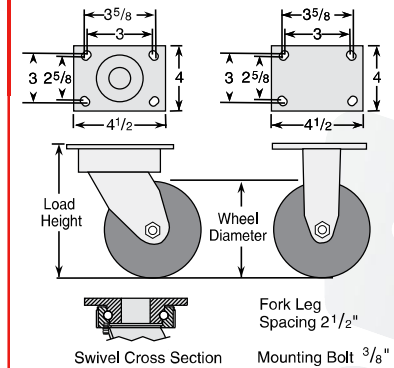
- Kingpinless Top Plate Swivel & Rigid
- Capacity to 1400 lbs

Standard Features

- Attractive zinc plated finish
- Full single ball hardened raceway
- Formed fork legs feature robotic welding
- 1/2" hollow axle with grease zerk and lock nut
- Plastic seal/retainer washer (roller bearing models)
- 5/16" swivel steel top plate for durability, rigid top plate 1/4" steel
- Grease fittings: wheel bearing and swivel raceway
- "Colson 45" multi-temp grease lubricates in extreme hot and cold temperatures



Standard Dimensions



Caster Brake



Tread Lock
(See page 18) Available on all swivel casters except V-Groove models (Specify **BRK1**).



Side Lock
(See page 17) Available on all swivel models equipped with roller or one-piece Delrin bearing only (Specify **BRK3**).

Fork / Wheel Options



Hand Activated Swivel Lock (See page 19) Available on all swivel casters. Specify **MTG61** with standard top plate, **MTG62** with #2 top plate and **MTG64** with #4 top plate.

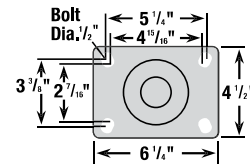


Foot Activated Swivel Lock (See page 19) Available on all swivel casters with standard top plate (Specify **MTG81**).

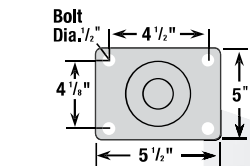
Thread Guards
(See page 114) Available on many models (Specify **TG1** for metal or **TG2** for plastic).

Optional Top Plates

#2 Top Plate (Specify MTG2)



#4 Top Plate (Specify MTG4)



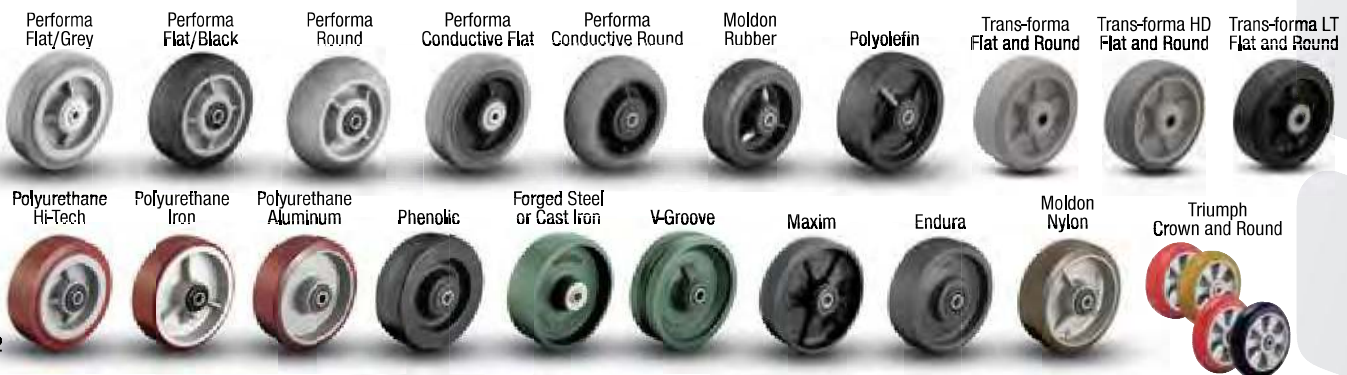
Extended Lead Fork

Available on 6" and 8" models with 9 1/2" & 10 1/8" load height respectively (Specify **EL**). Also specify load height.

Axle / Nut Options

AX2 Solid Axle
NT1 Thick lock nut

Wheel Selection



Colson 4 Series Casters • Enforcer Top Plate Swivel & Rigid • Capacity to 1400 lbs

Wheel Dia.	Tread Width	Capacity Each (Pounds)	Wheel Descriptions	Swivel Top Plate Roller Bearing Caster Models	Rigid Top Plate Roller Bearing Caster Models	Optional Bearings (Order information below chart)	Load Height	Swivel Radius	Weight lbs (Rigid Deduct 1.5 lbs)		
4"	2"	300	Performa Rubber (Flat/Conductive)	4.04189.459 COND	4.04108.459 COND	PPBB	5 5/8	3 9/16	5 3/4		
			Performa Rubber (Flat/Black)	4.04189.459.2	4.04108.459.2	Delrin, Prec. Ball, PPBB	5 5/8	3 9/16	5 3/4		
			Performa Rubber (Flat/Grey)	4.04189.459	4.04108.459	Delrin, Prec. Ball, PPBB	5 5/8	3 9/16	5 3/4		
		400	Trans-forma LT (Flat)	4.04189.489	4.04108.489	Delrin, PPBB	5 5/8	3 9/16	5 3/4		
			Trans-forma (Flat)	4.04189.4E9	4.04108.4E9	Delrin, PPBB	5 5/8	3 9/16	5 3/4		
			Moldon Rubber (Cast iron core)	4.04189.649.7	4.04108.649.7	Delrin, PPBB	5 5/8	3 9/16	6		
		500	Polyolefin	4.04189.839	4.04108.839	Delrin, Plain, PPBB	5 5/8	3 9/16	4 1/2		
			Trans-forma HD (Flat)	4.04189.4F9	4.04108.4F9	Delrin, PPBB	5 5/8	3 9/16	5 3/4		
		600	Polyurethane HI-TECH	4.04189.929	4.04108.929	Delrin, PPBB	5 5/8	3 9/16	4 3/4		
			Moldon Polyurethane (Aluminum core)	4.04189.939	4.04108.939	Delrin, PPBB	5 5/8	3 9/16	5 1/4		
		700	Moldon Polyurethane (Cast iron core)	4.04189.949.7	4.04108.949.7	Delrin, PPBB	5 5/8	3 9/16	6		
			Maxim	4.04189.539	4.04108.539	Delrin, Bronze, PPBB	5 5/8	3 9/16	5 1/8		
		800	Phenolic	4.04189.339	4.04108.339	Delrin, PPBB	5 5/8	3 9/16	5 3/4		
			V-Groove	4.04189.739	4.04108.739	Delrin, PPBB	5 5/8	3 9/16	8 1/8		
			Endura Solid Elastomer	4.04189.839 EN	4.04108.839 EN	Delrin, Prec. Ball, PPBB	5 5/8	3 9/16	5 3/4		
		1000	Cast Iron	4.04189.139	4.04108.139	Delrin, PPBB	5 5/8	3 9/16	7 7/8		
			Forged Steel	4.04189.239	4.04108.239	Delrin, PPBB	6 1/2	3 7/8	6 1/8		
		5"	2"	325	Performa Rubber (Flat/Conductive)	4.05189.459 COND	4.05108.459 COND	PPBB	6 1/2	3 7/8	6 1/8
					Moldon Rubber (Cast iron core)	4.05189.649.7	4.05108.649.7	Delrin, PPBB	6 1/2	3 7/8	7
					Trans-forma LT (Flat)	4.05189.489	4.05108.489	Delrin, PPBB	6 1/2	3 7/8	6 1/8
450	Performa Rubber (Flat/Black)			4.05189.459.2	4.05108.459.2	Delrin, Prec. Ball, PPBB	6 1/2	3 7/8	6 1/8		
	Performa Rubber (Flat/Grey)			4.05189.459	4.05108.459	Delrin, Prec. Ball, PPBB	6 1/2	3 7/8	6 1/8		
	Trans-forma (Flat)			4.05189.4E9	4.05108.4E9	Delrin, PPBB	6 1/2	3 7/8	6 1/8		
650	Polyolefin			4.05189.839	4.05108.839	Delrin, Plain, PPBB	6 1/2	3 7/8	4 7/8		
	Trans-forma HD (Flat/Grey)			4.05189.4F9	4.05108.4F9	Delrin, PPBB	6 1/2	3 7/8	6 1/8		
750	Polyurethane HI-TECH			4.05189.929	4.05108.929	Delrin, PPBB	6 1/2	3 7/8	4 3/4		
	Maxim			4.05189.539	4.05108.539	Delrin, Bronze, PPBB	6 1/2	3 7/8	5 1/2		
1000	Endura Solid Elastomer			4.05189.839 EN	4.05108.839 EN	Delrin, Prec. Ball, PPBB	6 1/2	3 7/8	5 3/4		
	Moldon Polyurethane (Aluminum core)			4.05189.939	4.05108.939	Delrin, PPBB	6 1/2	3 7/8	6 1/8		
	Moldon Polyurethane (Cast iron core)			4.05189.949.7	4.05108.949.7	Delrin, PPBB	6 1/2	3 7/8	7		
1400	Moldon Nylon			4.05189.939.3	4.05108.939.3	Delrin, PPBB	6 1/2	3 7/8	9 1/4		
	Phenolic			4.05189.339	4.05108.339	Delrin, PPBB	6 1/2	3 7/8	5 3/4		
	Cast Iron			4.05189.139	4.05108.139	Delrin, PPBB	6 1/2	3 7/8	8 7/8		
6"	2"			1400	Forged Steel	4.05189.239	4.05108.239	Delrin, PPBB	6 1/2	3 7/8	9 1/4
					Trans-forma LT (Round)	4.06189.589	4.06108.589	Delrin, PPBB	7 1/2	4 5/8	6 1/8
				400	Performa Rubber (Flat/Conductive)	4.06189.459 COND	4.06108.459 COND	PPBB	7 1/2	4 5/8	6 1/8
					Performa Rubber (Round/Conductive)	4.06189.559 COND	4.06108.559 COND	PPBB	7 1/2	4 5/8	6 1/8
		410	Performa Rubber (Round/Grey)	4.06189.559	4.06108.559	Delrin, Prec. Ball, PPBB	7 1/2	4 5/8	6 1/8		
			Trans-forma (Round)	4.06189.5E9	4.06108.5E9	Delrin, PPBB	7 1/2	4 5/8	6 1/8		
		450	Moldon Rubber (Cast iron core)	4.06189.649.7	4.06108.649.7	Delrin, PPBB	7 1/2	4 5/8	9		
			Trans-forma LT (Flat)	4.06189.489	4.06108.489	Delrin, PPBB	7 1/2	4 5/8	6 1/8		
		500	Performa Rubber (Flat/Black)	4.06189.459.2	4.06108.459.2	Delrin, Prec. Ball, PPBB	7 1/2	4 5/8	6 1/8		
			Performa Rubber (Flat/Grey)	4.06189.459	4.06108.459	Delrin, Prec. Ball, PPBB	7 1/2	4 5/8	6 1/8		
		600	Trans-forma (Flat)	4.06189.4E9	4.06108.4E9	Delrin, PPBB	7 1/2	4 5/8	6 1/8		
			Trans-forma HD (Round)	4.06189.5F9	4.06108.5F9	Delrin, PPBB	7 1/2	4 5/8	6 1/8		
		650	Polyolefin	4.06189.839	4.06108.839	Delrin, Plain, PPBB	7 1/2	4 5/8	5 1/2		
			Polyurethane HI-TECH	4.06189.929	4.06108.929	Delrin, PPBB	7 1/2	4 5/8	5		
		700	Trans-forma HD (Flat)	4.06189.4F9	4.06108.4F9	Delrin, PPBB	7 1/2	4 5/8	6 1/8		
			Triumph (Round/Blue)*	4.06189.96TF	4.06108.96TF	Prec. Ball	7 1/2	4 5/8	7 1/2		
		900	Triumph (Round/Red)*	4.06189.96TS	4.06108.96TS	Prec. Ball	7 1/2	4 5/8	7 1/2		
			Endura Solid Elastomer	4.06189.839 EN	4.06108.839 EN	Delrin, Prec. Ball, PPBB	7 1/2	4 5/8	7		
		1100	Maxim	4.06189.539	4.06108.539	Delrin, Bronze, PPBB	7 1/2	4 5/8	5 3/4		
			Moldon Polyurethane (Aluminum core)	4.06189.939	4.06108.939	Delrin, PPBB	7 1/2	4 5/8	7 1/2		
Moldon Polyurethane (Cast iron core)	4.06189.949.7		4.06108.949.7	Delrin, PPBB	7 1/2	4 5/8	9				
1200	Moldon Nylon	4.06189.939.3	4.06108.939.3	Delrin, PPBB	7 1/2	4 5/8	9 1/4				
	Phenolic	4.06189.339	4.06108.339	Delrin, PPBB	7 1/2	4 5/8	7				
	V-Groove	4.06189.739	4.06108.739	Delrin, PPBB	7 1/2	4 5/8	10 1/2				
1400	Cast Iron	4.06189.139	4.06108.139	Delrin, PPBB	7 1/2	4 5/8	9 3/4				
	Forged Steel	4.06189.239	4.06108.239	Delrin, PPBB	7 1/2	4 5/8	10 1/4				
8"	2"	500	Performa Rubber (Flat/Conductive)	4.08189.459 COND	4.08198.459 COND	PPBB	9 1/2	6 1/8	6 1/4		
			Performa Rubber (Round/Conductive)	4.08189.559 COND	4.08198.559 COND	PPBB	9 1/2	6 1/8	6 1/4		
			Moldon Rubber (Cast iron core)	4.08189.649.7	4.08198.649.7	Delrin, PPBB	9 1/2	6 1/8	11		
		600	Performa Rubber (Round/Grey)	4.08189.559	4.08198.559	Delrin, Prec. Ball, PPBB	9 1/2	6 1/8	6 1/4		
			Performa Rubber (Flat/Black)	4.08189.459.2	4.08198.459.2	Delrin, Prec. Ball, PPBB	9 1/2	6 1/8	6 1/4		
		675	Performa Rubber (Flat/Grey)	4.08189.459	4.08198.459	Delrin, Prec. Ball, PPBB	9 1/2	6 1/8	6 1/4		
			Polyolefin	4.08189.839	4.08198.839	Delrin, Plain, PPBB	9 1/2	6 1/8	5 3/4		
		900	Polyurethane HI-TECH	4.08189.929	4.08198.929	Delrin, PPBB	9 1/2	6 1/8	5 3/4		
			Endura Solid Elastomer	4.08189.839 EN	4.08198.839 EN	Delrin, Prec. Ball, PPBB	9 1/2	6 1/8	8 1/2		
		1000	Triumph (Crown/Brown)*	4.08189.93TF	4.08198.93TF	Prec. Ball	9 1/2	6 1/8	8 1/4		
			Triumph (Crown/Red)*	4.08189.93TS	4.08198.93TS	Prec. Ball	9 1/2	6 1/8	8 1/4		
			Triumph (Round/Blue)*	4.08189.96TF	4.08198.96TF	Prec. Ball	9 1/2	6 1/8	8 1/4		
		1200	Triumph (Round/Red)*	4.08189.96TS	4.08198.96TS	Prec. Ball	9 1/2	6 1/8	8 1/4		
			Maxim	4.08189.539	4.08198.539	Delrin, Bronze, PPBB	9 1/2	6 1/8	6 1/2		
			Moldon Polyurethane (Aluminum core)	4.08189.939	4.08198.939	Delrin, PPBB	9 1/2	6 1/8	8 1/4		
		1250	Moldon Polyurethane (Cast iron core)	4.08189.949.7	4.08198.949.7	Delrin, PPBB	9 1/2	6 1/8	11		
			Moldon Nylon	4.08189.939.3	4.08198.939.3	Delrin, PPBB	9 1/2	6 1/8	9 1/4		
			Phenolic	4.08189.339	4.08198.339	Delrin, PPBB	9 1/2	6 1/8	8 1/2		
		1400	Cast Iron	4.08189.139	4.08198.139	Delrin, PPBB	9 1/2	6 1/8	12 1/2		

*Triumph wheels available with Precision ball bearing only.

Bearing Options

Wheels feature roller bearings in above chart. To order optional bearings, see information to the right. To order caster with no wheel bearing, consult factory.



Roller Bearing
Metal cage (Specify **WB29**).
Metal thrust & retainer washers (Specify **WSR1**).
Sintered iron step washers (Specify **WSR2**).
Sealed metal retainer washer (Specify **WSR3**).



Torrington Roller Bearing
Torrington style roller bearing with retainer (Specify **WB19**).



Delrin Bearing
For standard two-piece bearing change 9th digit to "1" (Example: 4.06189.921).
One-piece with steel thrust washers (Specify **WB11**).



Precision Ball
To order change 8th and 9th digits to "P5" (Example 4.06189.4P5).



Pedestal Precision Ball Bearing (PPBB)
To order change 9th digit to "5" (Example 4.06189.455).



Bronze Bearing
To order change 9th digit to "4" (Example: 4.06189.534).

4 Series