

3 Series

- Round or Square Stem
- Capacity up to 800 lbs each

Standard Features

- Zinc plated finish is attractive and durable
- Full double ball hardened raceways for better performance and greater durability
- 3/8" hollow axle with lock nut
- Permanent rivet king pin construction
- Reinforcing washer on upper & lower raceway
- Grease holes: wheel bearing
- "Colson 45" multi-temp grease lubricates in extreme hot and cold temperatures

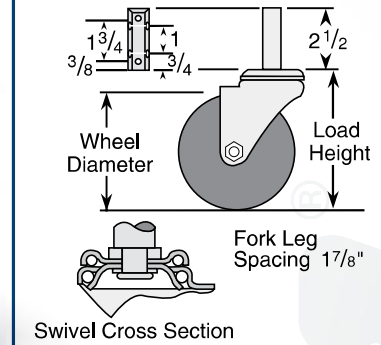
Standard Mounting

- Square Stem - MTG31 Four 17/64" diameter holes are drilled in square stem, two per side. 2 1/2" long x 7/8" square



www.colsoncaster.com

Standard Dimensions



Caster Brake



Top Lock
(See page 16) Available on all swivel models. Field installable (Specify **BRK1**).

Fork / Wheel Options



NSF Listed
(See page 3) All models except thread guards and cast iron wheels (Specify **FSI**).

Dust Cap
(See page 20) Specify **DC1**.

Thread Guards
(See page 114) Available on many models (Specify **TG1** for metal or **TG2** for plastic).

Lube Options	Fork	Wheel
No Grease	GRF1	GRW1
Double Grease	GRF2	GRW2
300° Continuous	GRF3	GRW3
500° Continuous	Consult Factory	

Axle/Nut Options
AX1 Zerk Axle
AX2 Solid Axle
NT1 Thick lock nut
AX1 Thin lock nut

Mounting Options

Round Stem - Select size and specify by code number when ordering.

- MTG7:** 2 1/2" long x 3/4" diameter
- MTG9:** 2 1/2" long x 7/8" diameter
- MTG11:** 2 1/2" long x 1" diameter

Wheel Selection



Colson 3 Series Casters • Round or Square Stem • Capacity to 800 lbs

Wheel Dia.	Tread Width	Capacity Each (Pounds)	Wheel Descriptions	Roller Bearing Models (To Order, Specify Mounting Code From Previous Page)	Optional Bearings (Order info below chart)	Load Height	Swivel Radius	Weight (Pounds)
3"	1 1/2"	250	Performa Rubber (Flat/Grey)	3.00314.449	Delrin, PPBB	4 5/16	3 1/8	2 1/2
		300	Polyolefin	3.00314.809	Delrin, PPBB	4 5/16	3 1/8	2 1/2
			Polyurethane HI-TECH	3.00314.909	Delrin, PPBB	4 5/16	3 1/8	2 1/2
		400	Phenolic	3.00314.309	Delrin, PPBB	4 5/16	3 1/8	2 1/2
			Cast Iron	3.00314.109	Delrin, PPBB	4 5/16	3 1/8	3 3/4
600	Thermo	3.00314.819 HT	Plain, Bronze	4 5/16	3 1/8	2 1/2		
4"	1 1/2"	255	Performa Rubber (Conductive Flat)	3.00414.449 COND	PPBB	5 3/16	3 5/8	2 2/3
		325	Performa Rubber (Flat/Grey)	3.00414.449	Delrin, PPBB	5 3/16	3 5/8	2 2/3
		375	Polyolefin	3.00414.809	Delrin, PPBB	5 3/16	3 5/8	2 3/4
		400	Maxim	3.00414.509	Delrin, Bronze, PPBB	5 3/16	3 5/8	2 3/4
			Polyurethane HI-TECH	3.00414.909	Delrin, PPBB	5 3/16	3 5/8	2 3/4
			Phenolic	3.00414.309	Delrin, PPBB	5 3/16	3 5/8	2 3/4
			Cast Iron	3.00414.109	Delrin, PPBB	5 3/16	3 5/8	4
700	Thermo	3.00414.819 HT	Plain, Bronze	5 3/16	3 5/8	2 3/4		
5"	1 1/2"	280	Performa Rubber (Conductive Flat)	3.00514.449 COND	PPBB	6 3/16	3 7/8	3
		350	Performa Rubber (Flat/Grey)	3.00514.449	Delrin, PPBB	6 3/16	3 7/8	3
		400	Polyolefin	3.00514.809	Delrin, PPBB	6 3/16	3 7/8	3
			Polyurethane HI-TECH	3.00514.909	Delrin, PPBB	6 3/16	3 7/8	3
		400	Phenolic	3.00514.309	Delrin, PPBB	6 3/16	3 7/8	3
			Cast Iron	3.00514.109	Delrin, PPBB	6 3/16	3 7/8	4 1/2
		800	Thermo	3.00514.819 HT	Plain, Bronze	6 3/16	3 7/8	3
6"	1 1/2"	300	Performa Rubber (Conductive Flat)	3.00614.449 COND	PPBB	7 3/16	4 5/8	4
		375	Performa Rubber (Flat/Grey)	3.00614.449	Delrin, PPBB	7 3/16	4 5/8	4
		400	Polyolefin	3.00614.809	Delrin, PPBB	7 3/16	4 5/8	3 1/2
			Polyurethane HI-TECH	3.00614.909	Delrin, PPBB	7 3/16	4 5/8	3 1/2
			Phenolic	3.00614.309	Delrin, PPBB	7 3/16	4 5/8	3 1/2
400	Cast Iron	3.00614.109	Delrin, PPBB	7 3/16	4 5/8	5 3/4		

Bearing Options

Wheels feature roller bearings in above chart. To order optional bearings, see information to the right. To order caster with no wheel bearing, Consult Factory.



Roller Bearing
Metal cage roller bearing (Specify **WB29**).
Metal thrust & retainer washers (Specify **WSR1**).
Sintered iron step washers (Specify **WSR2**).
Sealed metal retainer washer (Specify **WSR3**).



Delrin Bearings
For standard two-piece bearing change ninth digit to "1" (Example: 3.00614.441).



Pedestal Precision Ball Bearing (PPBB)
To order change 9th digit to "5" (Example: 3.00614.445).



Bronze
To order, change the 9th digit in model number to "4" (Example: 3.00414.504)

3 Series

3 Series

- Top Plate Swivel & Rigid
- Capacity up to 800 lbs each

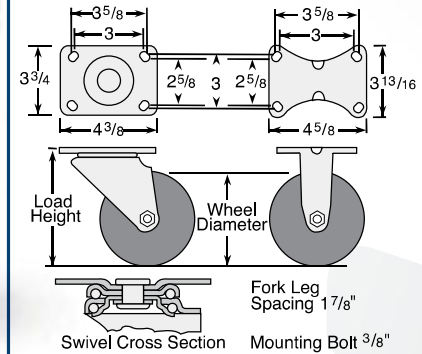
www.colsoncaster.com

Standard Features

- Zinc plated finish is attractive and durable
- Full double ball hardened raceways for better performance and greater durability
- 3/8" hollow axle with lock nut
- Permanent rivet king pin construction
- Reinforcing washer on upper & lower raceway for swivel models
- Grease holes: wheel bearing
- "Colson 45" multi-temp grease lubricates in extreme hot and cold temperatures
- .164 steel top plate



Standard Dimensions



Caster Brake



Top Lock
(See page 16) Available on all swivel models. Field installable (Specify **BRK1**).

Fork / Wheel Options



NSF Listed
(See page 3) All models except thread guards and cast iron wheels (Specify **FSI**).

Dust Cap
(See page 20) Specify **DC1**.

Thread Guards
(See page 114) Available on many models (Specify **TG1** for metal or **TG2** for plastic).

Lube Options	Fork	Wheel
No Grease	GRF1	GRW1
Double Grease	GRF2	GRW2
300° Continuous	GRF3	GRW3
500° Continuous	Consult Factory	

Axle/Nut Options
AX1 Zerk Axle
AX2 Solid Axle
NT1 Thick lock nut
AX1 Thin lock nut

Wheel Selection



Colson 3 Series Casters • Top Plate Swivel & Rigid • Capacity to 800 lbs

Wheel Dia.	Tread Width	Capacity Each (Pounds)	Wheel Descriptions	Swivel Top Plate Roller Bearing Caster Models	Rigid Top Plate Roller Bearing Caster Models	Optional Bearings (Order info below chart)	Load Height	Swivel Radius	Weight (Pounds)
3"	1 1/2"	250	Performa Rubber (Flat/Grey)	3.00317.449	3.00308.449	Delrin, PPBB	4 1/2	3 1/8	3
		300	Polyolefin	3.00317.809	3.00308.809	Delrin, Plain, PPBB	4 1/2	3 1/8	2 3/4
			Polyurethane HI-TECH	3.00317.909	3.00308.909	Delrin, PPBB	4 1/2	3 1/8	3
		400	Phenolic	3.00317.309	3.00308.309	Delrin, PPBB	4 1/2	3 1/8	2 3/4
			Cast Iron	3.00317.109	3.00308.109	Delrin, PPBB	4 1/2	3 1/8	4 1/4
600	Thermo	3.00317.819 HT	3.00308.819 HT	Plain, Bronze	4 1/2	3 1/8	2 3/4		
4"	1 1/2"	255	Performa Rubber (Conductive Flat)	3.00417.449 COND	3.00408.449 COND	PPBB	5 3/8	3 5/8	3 1/2
		325	Performa Rubber (Flat/Grey)	3.00417.449	3.00408.449	Delrin, PPBB	5 3/8	3 5/8	3 1/2
		375	Polyolefin	3.00417.809	3.00408.809	Delrin, Plain, PPBB	5 3/8	3 5/8	3
			Maxim	3.00417.509	3.00408.509	Delrin, Bronze, PPBB	5 3/8	3 5/8	3 1/4
		400	Polyurethane HI-TECH	3.00417.909	3.00408.909	Delrin, PPBB	5 3/8	3 5/8	3 1/4
			Phenolic	3.00417.309	3.00408.309	Delrin, PPBB	5 3/8	3 5/8	3 1/4
			Cast Iron	3.00417.109	3.00408.109	Delrin, PPBB	5 3/8	3 5/8	4 1/2
		700	Thermo	3.00417.819 HT	3.00408.819 HT	Plain, Bronze	5 3/8	3 5/8	3
5"	1 1/2"	280	Performa Rubber (Conductive Flat)	3.00517.449 COND	3.00508.449 COND	PPBB	6 3/8	4 1/8	3 1/2
		350	Performa Rubber (Flat/Grey)	3.00517.449	3.00508.449	Delrin, PPBB	6 3/8	4 1/8	3 1/2
		400	Polyolefin	3.00517.809	3.00508.809	Delrin, Plain, PPBB	6 3/8	4 1/8	3 1/4
			Polyurethane HI-TECH	3.00517.909	3.00508.909	Delrin, PPBB	6 3/8	4 1/8	3 1/2
		400	Phenolic	3.00517.309	3.00508.309	Delrin, PPBB	6 3/8	4 1/8	3 1/4
			Cast Iron	3.00517.109	3.00508.109	Delrin, PPBB	6 3/8	4 1/8	5
		800	Thermo	3.00517.819 HT	3.00508.819 HT	Plain, Bronze	6 3/8	4 1/8	3 1/4
6"	1 1/2"	300	Performa Rubber (Conductive Flat)	3.00617.449 COND	3.00608.449 COND	PPBB	7 3/8	4 5/8	3 3/4
		375	Performa Rubber (Flat/Grey)	3.00617.449	3.00608.449	Delrin, PPBB	7 3/8	4 5/8	3 3/4
		400	Polyolefin	3.00617.809	3.00608.809	Delrin, Plain, PPBB	7 3/8	4 5/8	3
			Polyurethane HI-TECH	3.00617.909	3.00608.909	Delrin, PPBB	7 3/8	4 5/8	3 3/4
			Phenolic	3.00617.309	3.00608.309	Delrin, PPBB	7 3/8	4 5/8	3 3/4
			Cast Iron	3.00617.109	3.00608.109	Delrin, PPBB	7 3/8	4 5/8	6

Bearing Options

Wheels feature roller bearings in above chart. To order optional bearings, see information to the right. To order caster with no wheel bearing, Consult Factory.



Roller Bearing
Metal cage roller bearing (Specify **WB29**).
Metal thrust & retainer washers (Specify **WSR1**).
Sintered iron step washers (Specify **WSR2**).
Sealed metal retainer washer (Specify **WSR3**).



Delrin Bearings
For standard two-piece bearing change ninth digit to "1" (Example: 3.00617.441).



Pedestal Precision Ball Bearing (PPBB)
To order change 9th digit to "5" (Example: 3.00617.445).



Bronze
To order, change the 9th digit in model number to "4" (Example: 3.00417.504).

3 Series