

# 2 Series

- Pipe Thread Stem
- Capacity up to 325 lbs each

[www.colsoncaster.com](http://www.colsoncaster.com)

## Standard Features

- Zinc plated finish is attractive and durable
- Full double ball hardened raceways for better performance and greater durability
- 3/8" hollow axle with lock nut
- Grease holes on wheel bearing for greater convenience
- "Colson 45" multi-temp grease lubricates in extreme hot and cold temperatures

## Standard Mounting

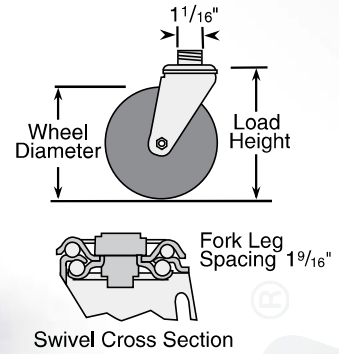
- Fits Standard 3/4" Pipe Coupling
- The actual diameter of the threaded stem is approximately 1 1/16"
- The pipe thread stem screws directly into a standard pipe coupling for a rigid and permanent fit with full swivel action

## Easy Installation

- The 7/16" hex nut beneath the lower raceway makes it fast and easy to install these casters on a wide variety of equipment



## Standard Dimensions



## Caster Brake



**Top Lock**  
(See page 15) Available on all models with solid axle only. Field installable (Specify **BRK1**).



**Total Lock**  
(See page 14) Locks wheel and swivel simultaneously. Fits 3 1/2", 4" and 5" models. Field installable (Specify **BRK5**).

## Fork Option



**NSF Listed**  
(See page 3) All models except thread guards (Specify **FSI**).

**Dust Cap**  
(See page 20) Specify **DC1**.

### Axle/Nut Options

**AX1** Zerk Axle (not available with top lock brake)

**AX2** Solid Axle

**NT1** Thick Lock Nut

## Wheel Option

### Thread Guards

(See page 114) Available on many models (Specify **TG1** for metal or **TG2** for plastic).

## Wheel Selection



**Colson 2 Series Casters • Pipe Thread Stem • Capacity to 325 lbs**

Wheel Dia.	Tread Width	Capacity Each (Pounds)	Wheel Descriptions	Wheel Bearing	Stem Caster Models	Load Height	Swivel Radius	Weight (Pounds)
2 1/2"	1 1/4"	125	Perma Rubber (Conductive/Flat)	Ball	2.02253.445 COND	4	2 13/32	1 3/4
		140	Perma Rubber (Flat)	Delrin	2.02253.441	4	2 13/32	1 3/4
			Perma Rubber (Flat)	Ball	2.02253.445	4	2 13/32	1 3/4
		200	Polyolefin	Delrin	2.02253.53	4	2 13/32	1 3/4
			Polyolefin	Ball	2.02253.55	4	2 13/32	1 3/4
		250	Polyurethane HI-TECH	Delrin	2.02253.91	4	2 13/32	1 1/2
	Polyurethane HI-TECH		Ball	2.02253.95	4	2 13/32	1 1/2	
1 7/16"	300	Cast Iron	Sleeve	2.02253.12	4	2 13/32	2 1/8	
3"	1 1/4"	150	Rubber HI-TECH	Plain	2.03353.42	4 1/4	2 21/32	2
		200	Polyurethane HI-TECH	Plain	2.03353.92	4 1/4	2 21/32	2
			Polyolefin	Delrin	2.03353.52	4 1/4	2 21/32	2
	1 15/32"	300	Phenolic	Roller	2.03353.309	4 1/4	2 21/32	2 3/4
3 1/2"	1 5/16"	210	Perma Rubber (Conductive/Round)	Ball	2.03253.565 COND	4 13/16	2 29/32	2 1/4
			Perma Rubber (Round)	Delrin	2.03253.561	4 13/16	2 29/32	2 1/4
			Perma Rubber (Round)	Ball	2.03253.565	4 13/16	2 29/32	2 1/4
	1 1/4"	225	Perma Rubber (Conductive/Flat)	Ball	2.03253.445 COND	4 13/16	2 29/32	2 1/4
			Polyolefin	Delrin	2.03253.53	4 13/16	2 29/32	2 1/8
		230	Polyolefin	Ball	2.03253.55	4 13/16	2 29/32	2 1/8
			250	Perma Rubber (Flat)	Delrin	2.03253.441	4 13/16	2 29/32
		Perma Rubber (Flat)		Ball	2.03253.445	4 13/16	2 29/32	2 1/8
		Polyurethane HI-TECH		Delrin	2.03253.91	4 13/16	2 29/32	1 3/4
		300	Polyurethane HI-TECH	Ball	2.03253.95	4 13/16	2 29/32	1 3/4
			Thermo	Plain	2.03253.52 HT	4 13/16	2 29/32	3 1/8
		Cast Iron	Sleeve	2.03253.12	4 13/16	2 29/32	3	
4"	1 1/4"	250	ThermoTech	Teflon	2.04253.613 H	5 1/4	3 7/32	3
			Perma Rubber (Conductive/Flat)	Ball	2.04253.445 COND	5 1/4	3 7/32	2 1/4
		275	Polyolefin	Delrin	2.04253.53	5 1/4	3 7/32	2 1/4
			Polyolefin	Ball	2.04253.55	5 1/4	3 7/32	2 1/4
			Polyurethane HI-TECH	Delrin	2.04253.91	5 1/4	3 7/32	2
			Polyurethane HI-TECH	Ball	2.04253.95	5 1/4	3 7/32	2
	300	Perma Rubber (Flat)	Delrin	2.04253.441	5 1/4	3 7/32	2 1/4	
		Perma Rubber (Flat)	Ball	2.04253.445	5 1/4	3 7/32	2 1/4	
		Thermo	Plain	2.04253.52 HT	5 1/4	3 7/32	3 1/4	
		Cast Iron	Sleeve	2.04253.12	5 1/4	3 7/32	3 1/2	
5"	1 1/4"	250	ThermoTech	Teflon	2.05253.613 H	6 5/16	3 13/16	3
			Perma Rubber (Conductive/Flat)	Ball	2.05253.445 COND	6 5/16	3 13/16	3
	1 5/16"	250	Perma Rubber (Conductive/Round)	Ball	2.05253.565 COND	6 5/16	3 13/16	3
			Perma Rubber (Round)	Delrin	2.05253.561	6 5/16	3 13/16	3
	1 1/4"	300	Perma Rubber (Round)	Ball	2.05253.565	6 5/16	3 13/16	3
			Polyolefin	Delrin	2.05253.53	6 5/16	3 13/16	2 3/4
			Polyolefin	Ball	2.05253.55	6 5/16	3 13/16	2 3/4
			Polyurethane HI-TECH	Delrin	2.05253.91	6 5/16	3 13/16	2 1/2
		325	Polyurethane HI-TECH	Ball	2.05253.95	6 5/16	3 13/16	2 1/2
			Cast Iron	Sleeve	2.05253.12	6 5/16	3 13/16	3 3/4
			Perma Rubber (Flat)	Delrin	2.05253.441	6 5/16	3 13/16	2 3/4
			Perma Rubber (Flat)	Ball	2.05253.445	6 5/16	3 13/16	2 3/4
Thermo	Plain	2.05253.52 HT	6 5/16	3 13/16	3 3/4			

**2 Series**

# 2 Series

- Expanding Adapter Stem
- Capacity up to 325 lbs each

[www.colsoncaster.com](http://www.colsoncaster.com)

## Standard Features

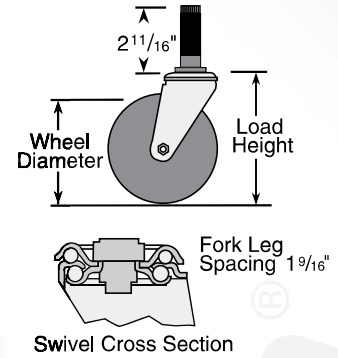
- Zinc plated finish is attractive and durable
- Full double ball hardened raceways for better performance and greater durability
- $\frac{3}{8}$ " hollow axle with lock nut
- Grease holes on wheel bearing for greater convenience
- "Colson 45" multi-temp grease lubricates in extreme hot and cold temperatures

## Standard Mounting

- Turning of hex nut beneath lower raceway expands rubber adapter inside of round or square tubing for a tight, permanent fit
- To order, select caster model number and specify stem adapter size by code number from mounting option chart below



## Standard Dimensions



## Caster Brake



**Top Lock**  
(See page 15) Available on all swivel models with solid axle only. Field installable (Specify **BRK1**).



**Total Lock**  
(See page 14) Locks wheel and swivel simultaneously. Fits 3  $\frac{1}{2}$ ", 4" and 5" swivel models. Field installable (Specify **BRK5**).

## Fork Option



**NSF Listed**  
(See page 3) All models except thread guards and cast iron wheels (Specify **FS1**).

**Swivel Dust Cap**  
(See page 20) Specify **DC1**.

**Axle/Nut Options**  
**AX1** Zerk Axle  
**AX2** Solid Axle  
**NT1** Thick Lock Nut (not available with top lock brake)

## Mounting Options

(See page 115)

Inside Diameter of Tube	Mounting Code Numbers	
	Round Tubing	Square Tubing
$\frac{3}{4}$ " - $\frac{13}{16}$ "	MTG40	-
$\frac{7}{8}$ " - $\frac{15}{16}$ "	MTG41	MTG51
1" - $1\frac{1}{16}$ "	MTG42	MTG52
$1\frac{1}{8}$ " - $\frac{13}{16}$ "	MTG43	MTG53
$1\frac{1}{4}$ " - $\frac{15}{16}$ "	MTG44	MTG54
$1\frac{3}{8}$ " - $\frac{17}{16}$ "	MTG45	MTG55
$1\frac{1}{2}$ " - $\frac{19}{16}$ "	MTG46	-
$1\frac{5}{8}$ " - $1\frac{11}{16}$ "	MTG47	-

Stems are  $2\frac{11}{16}$ " long. Stem size less adapter:  $\frac{1}{2}$ " - 13UNC x  $2\frac{11}{16}$ "

## Wheel Option

**Thread Guards**  
(See page 114) Available on many models. Specify **TG1** for metal or **TG2** for plastic.

## Wheel Selection



**Colson 2 Series Casters • Expanding Adapter Stem • Capacity to 325 lbs**

Wheel Dia.	Tread Width	Capacity Each (Pounds)	Wheel Descriptions	Wheel Bearing	Stem Caster Models	Load Height	Swivel Radius	Weight (Pounds)
2 1/2"	1 1/4"	140	Performa Rubber (Flat)	Delrin	2.02267.441	4	2 13/32	1 3/4
			Performa Rubber (Flat)	Ball	2.02267.445	4	2 13/32	1 3/4
		200	Polyolefin	Delrin	2.02267.53	4	2 13/32	1 3/4
			Polyolefin	Ball	2.02267.55	4	2 13/32	1 3/4
		250	Polyurethane HI-TECH	Delrin	2.02267.91	4	2 13/32	1 1/2
	Polyurethane HI-TECH		Ball	2.02267.95	4	2 13/32	1 1/2	
	300	Cast Iron	Sleeve	2.02267.12	4	2 13/32	2 1/8	
1 7/16"	300	Phenolic	Roller	2.02267.319	4	2 13/32	1 3/4	
3"	1 1/4"	150	Rubber HI-TECH	Plain	2.03367.42	4 1/4	2 21/32	2
		200	Polyurethane HI-TECH	Plain	2.03367.92	4 1/4	2 21/32	2
			Polyolefin	Delrin	2.03367.52	4 1/4	2 21/32	2
	1 15/32"	300	Phenolic	Roller	2.03367.309	4 1/4	2 21/32	2 3/4
3 1/2"	1 5/16"	210	Performa Rubber (Round)	Delrin	2.03267.561	4 9/16	2 29/32	2 1/4
			Performa Rubber (Round)	Ball	2.03267.565	4 9/16	2 29/32	2 1/4
	1 1/4"	230	Polyolefin	Delrin	2.03267.53	4 9/16	2 29/32	2 1/8
			Polyolefin	Ball	2.03267.55	4 9/16	2 29/32	2 1/8
		250	Performa Rubber (Flat)	Delrin	2.03267.441	4 9/16	2 29/32	2 1/8
			Performa Rubber (Flat)	Ball	2.03267.445	4 9/16	2 29/32	2 1/8
			Polyurethane HI-TECH	Delrin	2.03267.91	4 9/16	2 29/32	1 3/4
			Polyurethane HI-TECH	Ball	2.03267.95	4 9/16	2 29/32	1 3/4
	300	Cast Iron	Sleeve	2.03267.12	4 9/16	2 29/32	3	
	4"	1 1/4"	275	Polyolefin	Delrin	2.04267.53	5 1/4	3 7/32
Polyolefin				Ball	2.04267.55	5 1/4	3 7/32	2 1/4
Polyurethane HI-TECH				Delrin	2.04267.91	5 1/4	3 7/32	2
300			Polyurethane HI-TECH	Ball	2.04267.95	5 1/4	3 7/32	2
			Performa Rubber (Flat)	Delrin	2.04267.441	5 1/4	3 7/32	2 1/4
			Performa Rubber (Flat)	Ball	2.04267.445	5 1/4	3 7/32	2 1/4
			Cast Iron	Sleeve	2.04267.12	5 1/4	3 7/32	3 1/2
5"	1 5/16"	250	Performa Rubber (Round)	Delrin	2.05267.561	6 5/16	3 13/16	3
			Performa Rubber (Round)	Ball	2.05267.565	6 5/16	3 13/16	3
	1 1/4"	300	Polyolefin	Delrin	2.05267.53	6 5/16	3 13/16	2 3/4
			Polyolefin	Ball	2.05267.55	6 5/16	3 13/16	2 3/4
			Polyurethane HI-TECH	Delrin	2.05267.91	6 5/16	3 13/16	2 1/2
			Polyurethane HI-TECH	Ball	2.05267.95	6 5/16	3 13/16	2 1/2
			Cast Iron	Sleeve	2.05267.12	6 5/16	3 13/16	3 3/4
			325	Performa Rubber (Flat)	Delrin	2.05267.441	6 5/16	3 13/16
	Performa Rubber (Flat)	Ball		2.05267.445	6 5/16	3 13/16	2 3/4	

**2 Series**



# 2 Series

- Grip Ring Stem
- Capacity up to 325 lbs each

[www.colsoncaster.com](http://www.colsoncaster.com)

## Standard Features

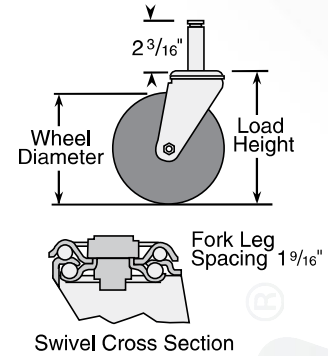
- Zinc plated finish is attractive and durable
- Full double ball hardened raceways for better performance and greater durability
- $\frac{3}{8}$ " hollow axle with lock nut
- Grease holes on wheel bearing for greater convenience
- "Colson 45" multi-temp grease lubricates in extreme hot and cold temperatures

## Standard Mounting

- Standard grip ring stem is  $2\frac{3}{16}$ " long with  $\frac{5}{8}$ " diameter
- Assures tight fit and easy swivel action
- Stem features spring grip at top to hold caster securely in tubing



## Standard Dimensions



## Caster Brake



**Top Lock**  
(See page 15) Available on all swivel models with solid axle only. Field installable (Specify **BRK1**).



**Total Lock**  
(See page 14) Locks wheel and swivel simultaneously. Fits  $3\frac{1}{2}$ ", 4" and 5" swivel models. Field installable.

**Note:** When mounted in tubing, brake will function as wheel brake only. (Specify **BRK5**).

## Fork Option



**NSF Listed**  
(See page 3) All models except thread guards and cast iron wheels (Specify **FSI**).

**Swivel Dust Cap**  
(See page 20) Specify **DC1**.

### Axle/Nut Options

- AX1** Zerk Axle (not available with top lock brake)
- AX2** Solid Axle
- NT1** Thick Lock Nut

## Wheel Option

**Thread Guards**  
(See page 114) Available on many models. Specify **TG1** for metal or **TG2** for plastic.

## Mounting Options

- MTG5:**  $2\frac{3}{16}$ " long x  $\frac{3}{4}$ " dia. (.75)
- MTG6:**  $2\frac{3}{16}$ " long x  $\frac{13}{16}$ " dia. (.812)
- MTG7:**  $2\frac{3}{16}$ " long x  $\frac{27}{32}$ " dia. (.845)
- MTG8:**  $2\frac{3}{16}$ " long x  $\frac{7}{8}$ " dia. (.865)
- MTG9:**  $2\frac{3}{16}$ " long x 1" dia. (1.00)

## Wheel Selection



**Colson 2 Series Casters • Grip Ring Stem • Capacity to 325 lbs**

Wheel Dia.	Tread Width	Capacity Each (Pounds)	Wheel Descriptions	Wheel Bearing	Stem Caster Models	Load Height	Swivel Radius	Weight (Pounds)
2 1/2"	1 1/4"	125	Perma Rubber (Conductive/Flat)	Ball	2.02251.445 COND	3 3/4	2 13/32	1 3/4
		140	Perma Rubber (Flat)	Delrin	2.02251.441	3 3/4	2 13/32	1 3/4
			Perma Rubber (Flat)	Ball	2.02251.445	3 3/4	2 13/32	1 3/4
		200	Polyolefin	Delrin	2.02251.53	3 3/4	2 13/32	1 3/4
			Polyolefin	Ball	2.02251.55	3 3/4	2 13/32	1 3/4
		250	Polyurethane HI-TECH	Delrin	2.02251.91	3 3/4	2 13/32	1 1/2
	Polyurethane HI-TECH		Ball	2.02251.95	3 3/4	2 13/32	1 1/2	
300	Cast Iron	Sleeve	2.02251.12	3 3/4	2 13/32	2 1/8		
1 7/16"	300	Phenolic	Roller	2.02251.319	3 3/4	2 13/32	1 3/4	
3"	1 1/4"	150	Rubber HI-TECH	Plain	2.03351.42	4	2 21/32	2
		200	Polyurethane HI-TECH	Plain	2.03351.92	4	2 21/32	2
			Polyolefin	Delrin	2.03351.52	4	2 21/32	2
	1 15/32"	300	Phenolic	Roller	2.03351.309	4	2 21/32	2 3/4
3 1/2"	1 5/16"	210	Perma Rubber (Conductive/Round)	Ball	2.03251.565 COND	4 9/16	2 29/32	2 1/4
			Perma Rubber (Round)	Delrin	2.03251.561	4 9/16	2 29/32	2 1/4
			Perma Rubber (Round)	Ball	2.03251.565	4 9/16	2 29/32	2 1/4
	1 1/4"	225	Perma Rubber (Conductive/Flat)	Ball	2.03251.445 COND	4 9/16	2 29/32	2
			Polyolefin	Delrin	2.03251.53	4 9/16	2 29/32	2 1/8
		230	Polyolefin	Ball	2.03251.55	4 9/16	2 29/32	2 1/8
			250	Perma Rubber (Flat)	Delrin	2.03251.441	4 9/16	2 29/32
		Perma Rubber (Flat)		Ball	2.03251.445	4 9/16	2 29/32	2 1/8
		Polyurethane HI-TECH		Delrin	2.03251.91	4 9/16	2 29/32	1 3/4
	300	Polyurethane HI-TECH	Ball	2.03251.95	4 9/16	2 29/32	1 3/4	
		Thermo	Plain	2.03251.52 HT	4 9/16	2 29/32	2 7/8	
	Cast Iron	Sleeve	2.03251.12	4 9/16	2 29/32	3		
	4"	1 1/4"	250	ThermoTech	Teflon	2.04251.613 H	5	3 7/32
Perma Rubber (Conductive/Flat)				Ball	2.04251.445 COND	5	3 7/32	2 1/4
275			Polyolefin	Delrin	2.04251.53	5	3 7/32	2 1/4
			Polyolefin	Ball	2.04251.55	5	3 7/32	2 1/4
			Polyurethane HI-TECH	Delrin	2.04251.91	5	3 7/32	2
			Polyurethane HI-TECH	Ball	2.04251.95	5	3 7/32	2
300		Perma Rubber (Flat)	Delrin	2.04251.441	5	3 7/32	2 1/4	
		Perma Rubber (Flat)	Ball	2.04251.445	5	3 7/32	2 1/4	
		Thermo	Plain	2.04251.52 HT	5	3 7/32	3 1/8	
Cast Iron		Sleeve	2.04251.12	5	3 7/32	3 1/2		
5"		1 1/4"	250	ThermoTech	Teflon	2.05251.613 H	6 1/16	3 13/16
	Perma Rubber (Conductive/Flat)			Ball	2.05251.445 COND	6 1/16	3 13/16	3
	1 5/16"	250	Perma Rubber (Conductive/Round)	Ball	2.05251.565 COND	6 1/16	3 13/16	3
			Perma Rubber (Round)	Delrin	2.05251.561	6 1/16	3 13/16	3
			Perma Rubber (Round)	Ball	2.05251.565	6 1/16	3 13/16	3
	1 1/4"	300	Polyolefin	Delrin	2.05251.53	6 1/16	3 13/16	2 3/4
			Polyolefin	Ball	2.05251.55	6 1/16	3 13/16	2 3/4
			Polyurethane HI-TECH	Delrin	2.05251.91	6 1/16	3 13/16	2 1/2
			Polyurethane HI-TECH	Ball	2.05251.95	6 1/16	3 13/16	2 1/2
			Cast Iron	Sleeve	2.05251.12	6 1/16	3 13/16	3 3/4
			Perma Rubber (Flat)	Delrin	2.05251.441	6 1/16	3 13/16	2 3/4
325	Perma Rubber (Flat)	Ball	2.05251.445	6 1/16	3 13/16	2 3/4		
	Thermo	Plain	2.05251.52 HT	6 1/16	3 13/16	3 1/2		

**2 Series**

# 2 Series

- Straight Thread Stem
- Capacity up to 325 lbs each

www.colsoncaster.com



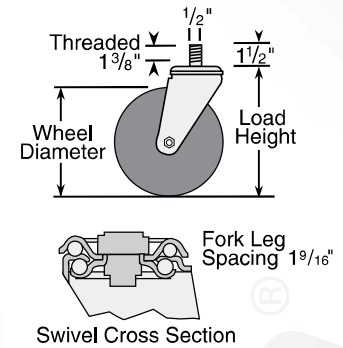
## Standard Features

- Zinc plated finish is attractive and durable
- Full double ball hardened raceways for better performance and greater durability
- 3/8" hollow axle with lock nut
- Grease holes on wheel bearing for greater convenience
- "Colson 45" multi-temp grease lubricates in extreme hot and cold temperatures

## Standard Mounting

- MTG 53: 1/2" diameter - 13UNC X 1 1/2" long, threaded 1 3/8"
- Easy Installation: The 7/16" hex nut beneath the lower raceway makes it fast and easy to install these casters on a wide variety of equipment

## Standard Dimensions



## Caster Brake



**Top Lock**  
(See page 15) Available on all swivel models with solid axle only. Field installable (Specify **BRK1**).



**Total Lock**  
(See page 14) Locks wheel and swivel simultaneously. Fits 3 1/2", 4" and 5" swivel models. Field installable (Specify **BRK5**).

## Fork Option



**NSF Listed**  
(See page 3) All models except thread guards and cast iron wheels (Specify **FSI**).

**Swivel Dust Cap**  
(See page 20) Specify **DC1**.

### Axle/Nut Options

- AX1** Zerk Axle (not available with top lock brake)
- AX2** Solid Axle
- NT1** Thick Lock Nut

## Wheel Option

**Thread Guards**  
(See page 114) Available on many models. Specify **TG1** for metal or **TG2** for plastic.

## Wheel Selection



## Mounting Options

- MTG10:** 1/2" 13UNC x 3/4" long threaded
- MTG11:** 1/2" 13UNC x 1" long threaded
- MTG12:** 1/2" 20UNF x 3/4" long threaded
- MTG13:** 5/8" 11UNC x 1 3/4" long threaded
- MTG14:** 5/8" 18UNF x 1 3/4" long threaded
- MTG15:** 3/4" 10UNC x 1 3/4" long threaded
- MTG50:** 1/2" 20UNF x 1 1/2" long threaded

**IMPORTANT:** If caster stem is to be screwed into customer equipment, the customer must add a washer to the stem that will cover the incomplete threads and support the upper race. The stem shoulder must fit tightly against the customer equipment.

**Colson 2 Series Casters • Straight Thread Stem • Capacity to 325 lbs**

Wheel Dia.	Tread Width	Capacity Each (Pounds)	Wheel Descriptions	Wheel Bearing	Stem Caster Models	Load Height	Swivel Radius	Weight (Pounds)
2 1/2"	1 1/4"	125	Perma Rubber (Conductive/Flat)	Ball	2.02254.445 COND	3 3/4	2 13/32	1 3/4
		140	Perma Rubber (Flat)	Delrin	2.02254.441	3 3/4	2 13/32	1 3/4
			Perma Rubber (Flat)	Ball	2.02254.445	3 3/4	2 13/32	1 3/4
		200	Polyolefin	Delrin	2.02254.53	3 3/4	2 13/32	1 3/4
			Polyolefin	Ball	2.02254.55	3 3/4	2 13/32	1 3/4
		250	Polyurethane HI-TECH	Delrin	2.02254.91	3 3/4	2 13/32	1 1/2
	Polyurethane HI-TECH		Ball	2.02254.95	3 3/4	2 13/32	1 1/2	
300	Cast Iron	Sleeve	2.02254.12	3 3/4	2 13/32	2 1/8		
	1 7/16"	300	Phenolic	Roller	2.02254.319	3 3/4	2 13/32	1 3/4
3"	1 1/4"	150	Rubber HI-TECH	Plain	2.03354.42	4	2 21/32	2
		200	Polyurethane HI-TECH	Plain	2.03354.92	4	2 21/32	2
			Polyolefin	Delrin	2.03354.52	4	2 21/32	2
	1 15/32"	300	Phenolic	Roller	2.03354.309	4	2 21/32	2 3/4
3 1/2"	1 5/16"	210	Perma Rubber (Conductive/Round)	Ball	2.03254.565 COND	4 9/16	2 29/32	2 1/4
			Perma Rubber (Round)	Delrin	2.03254.561	4 9/16	2 29/32	2 1/4
			Perma Rubber (Round)	Ball	2.03254.565	4 9/16	2 29/32	2 1/4
	1 1/4"	225	Perma Rubber (Conductive/Flat)	Ball	2.03254.445 COND	4 9/16	2 29/32	2
			Polyolefin	Delrin	2.03254.53	4 9/16	2 29/32	2 1/8
		230	Polyolefin	Ball	2.03254.55	4 9/16	2 29/32	2 1/8
			250	Perma Rubber (Flat tread)	Delrin	2.03254.441	4 9/16	2 29/32
		Perma Rubber (Flat tread)		Ball	2.03254.445	4 9/16	2 29/32	2 1/8
		Polyurethane HI-TECH		Delrin	2.03254.91	4 9/16	2 29/32	1 3/4
	Polyurethane HI-TECH	Ball		2.03254.95	4 9/16	2 29/32	1 3/4	
	300	Thermo	Plain	2.03254.52 HT	4 9/16	2 29/32	3 1/8	
		Cast Iron	Sleeve	2.03254.12	4 9/16	2 29/32	3	
4"	1 1/4"	250	ThermoTech	Teflon	2.04254.613 H	5	3 7/32	3
			Perma Rubber (Conductive/Flat)	Ball	2.04254.445 COND	5	3 7/32	2 1/4
		275	Polyolefin	Delrin	2.04254.53	5	3 7/32	2 1/4
			Polyolefin	Ball	2.04254.55	5	3 7/32	2 1/4
			Polyurethane HI-TECH	Delrin	2.04254.91	5	3 7/32	2
			Polyurethane HI-TECH	Ball	2.04254.95	5	3 7/32	2
	300	Perma Rubber (Flat)	Delrin	2.04254.441	5	3 7/32	2 1/4	
		Perma Rubber (Flat)	Ball	2.04254.445	5	3 7/32	2 1/4	
		Thermo	Plain	2.04254.52 HT	5	3 7/32	3 1/4	
		Cast Iron	Sleeve	2.04254.12	5	3 7/32	3 1/2	
5"	1 1/4"	250	ThermoTech	Teflon	2.05254.613 H	6 1/16	3 13/16	3
			Perma Rubber (Conductive/Flat)	Ball	2.05254.445 COND	6 1/16	3 13/16	3
	1 5/16"	250	Perma Rubber (Conductive/Round)	Ball	2.05254.565 COND	6 1/16	3 13/16	3
			Perma Rubber (Round)	Delrin	2.05254.561	6 1/16	3 13/16	3
			Perma Rubber (Round)	Ball	2.05254.565	6 1/16	3 13/16	3
	1 1/4"	300	Polyolefin	Delrin	2.05254.53	6 1/16	3 13/16	2 3/4
			Polyolefin	Ball	2.05254.55	6 1/16	3 13/16	2 3/4
			Polyurethane HI-TECH	Delrin	2.05254.91	6 1/16	3 13/16	2 1/2
			Polyurethane HI-TECH	Ball	2.05254.95	6 1/16	3 13/16	2 1/2
			Cast Iron	Sleeve	2.05254.12	6 1/16	3 13/16	3 3/4
			325	Perma Rubber (Flat)	Delrin	2.05254.441	6 1/16	3 13/16
	Perma Rubber (Flat)	Ball		2.05254.445	6 1/16	3 13/16	2 3/4	
Thermo	Plain	2.05254.52 HT		6 1/16	3 13/16	3 3/4		

**2 Series**



# 2 Series

- Square Stem Swivel & Rigid
- Capacity up to 325 lbs each

www.colsoncaster.com

## Standard Features

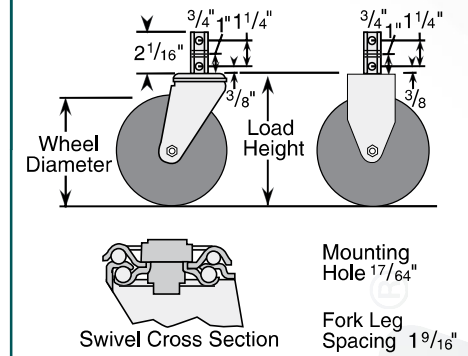
- Zinc plated finish is attractive and durable
- Full double ball hardened raceways for better performance and greater durability
- $3/8$ " hollow axle with lock nut
- Grease holes on wheel bearing for greater convenience
- "Colson 45" multi-temp grease lubricates in extreme hot and cold temperatures

## Standard Mounting

- $2\ 1/16$ " long x  $3/4$ " square with 3 mounting holes  $17/64$ " diameter
- Designed for easy installation on the inside of angle iron legs or against flat surfaces
- Stems may be bolted or riveted against any flat vertical surface



## Standard Dimensions



## Caster Brake



**Top Lock**  
(See page 15) Available on all swivel models with solid axle only. Field installable (Specify **BRK1**).



**Total Lock**  
(See page 14) Locks wheel and swivel simultaneously. Fits  $3\ 1/2$ ", 4" and 5" swivel models. Field installable (Specify **BRK5**).

## Fork Option



**NSF Listed**  
(See page 3) All models except thread guards and cast iron wheels (Specify **FSI**).

**Swivel Dust Cap**  
(See page 20) Specify **DC1**.

### Axle/Nut Options

- AX1** Zerk Axle (not available with top lock brake)
- AX2** Solid Axle
- NT1** Thick Lock Nut

## Wheel Option

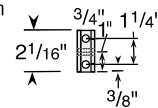
**Thread Guards**  
(See page 114) Available on many models. Specify **TG1** for metal or **TG2** for plastic.

## Mounting Options

**MTG1:** Square Stem  $2\ 1/16$ " long x  $7/8$ " square with 1 mounting hole  $17/64$ " diameter.



**MTG3:** Octagon Stem  $2\ 1/16$ " long x  $3/4$ " octagon with 3 mounting holes  $17/64$ " diameter.



## Wheel Selection



**Colson 2 Series Casters • Square Stem Swivel & Rigid • Capacity to 325 lbs**

Wheel Dia.	Tread Width	Capacity Each (Pounds)	Wheel Descriptions	Wheel Bearing	Swivel Stem Caster Models	Rigid Stem Caster Models	Load Height	Swivel Radius	Weight (Pounds)
2 1/2"	1 1/4"	125	Performa Rubber (Conductive/Flat)	Ball	2.02270.445 COND	—	3 3/4	2 13/32	1 5/8
		140	Performa Rubber (Flat)	Delrin	2.02270.441	—	3 3/4	2 13/32	1 5/8
			Performa Rubber (Flat)	Ball	2.02270.445	—	3 3/4	2 13/32	1 5/8
		200	Polyolefin	Delrin	2.02270.53	—	3 3/4	2 13/32	1 5/8
			Polyolefin	Ball	2.02270.55	—	3 3/4	2 13/32	1 5/8
		250	Polyurethane HI-TECH	Delrin	2.02270.91	—	3 3/4	2 13/32	1 5/8
	Polyurethane HI-TECH		Ball	2.02270.95	—	3 3/4	2 13/32	1 5/8	
300	Cast Iron	Sleeve	2.02270.12	—	3 3/4	2 13/32	2		
1 7/16"	300	Phenolic	Roller	2.02270.319	—	3 3/4	2 13/32	1 5/8	
3"	1 1/4"	150	Rubber HI-TECH	Plain	2.03370.42	—	4	2 21/32	2
		200	Polyurethane HI-TECH	Plain	2.03370.92	—	4	2 21/32	2
			Polyolefin	Delrin	2.03370.52	—	4	2 21/32	2
	1 15/32"	300	Phenolic	Roller	2.03370.309	—	4	2 21/32	2 3/4
3 1/2"	1 5/16"	210	Performa Rubber (Conductive/Round)	Ball	2.03270.565 COND	—	4 9/16	2 29/32	2 1/4
			Performa Rubber (Round)	Delrin	2.03270.561	—	4 9/16	2 29/32	2 1/4
			Performa Rubber (Round)	Ball	2.03270.565	—	4 9/16	2 29/32	2 1/4
	1 1/4"	225	Performa Rubber (Conductive/Flat)	Ball	2.03270.445 COND	—	4 9/16	2 29/32	2
			Polyolefin	Delrin	2.03270.53	—	4 9/16	2 29/32	1 7/8
		230	Polyolefin	Ball	2.03270.55	—	4 9/16	2 29/32	1 7/8
			Performa Rubber (Flat)	Delrin	2.03270.441	—	4 9/16	2 29/32	2
		250	Performa Rubber (Flat)	Ball	2.03270.445	—	4 9/16	2 29/32	2
			Polyurethane HI-TECH	Delrin	2.03270.91	—	4 9/16	2 29/32	2 7/8
	Polyurethane HI-TECH	Ball	2.03270.95	—	4 9/16	2 29/32	2 7/8		
	300	Thermo	Plain	2.03270.52 HT	—	4 9/16	2 29/32	2 7/8	
		Cast Iron	Sleeve	2.03270.12	—	4 9/16	2 29/32	3	
4"	1 1/4"	250	ThermoTech	Teflon	2.04270.613 H	—	5	3 7/32	3
			Performa Rubber (Conductive/Flat)	Ball	2.04270.445 COND	—	5	3 7/32	2 1/4
		275	Polyolefin	Delrin	2.04270.53	—	5	3 7/32	2 1/8
			Polyolefin	Ball	2.04270.55	—	5	3 7/32	2 1/8
			Polyurethane HI-TECH	Delrin	2.04270.91	—	5	3 7/32	2 1/8
			Polyurethane HI-TECH	Ball	2.04270.95	—	5	3 7/32	2 1/8
	300	Performa Rubber (Flat)	Delrin	2.04270.441	—	5	3 7/32	2 1/4	
		Performa Rubber (Flat)	Ball	2.04270.445	—	5	3 7/32	2 1/4	
		Thermo	Plain	2.04270.52 HT	—	5	3 7/32	3 1/8	
		Cast Iron	Sleeve	2.04270.12	—	5	3 7/32	3 3/8	
5"	1 1/4"	250	ThermoTech	Teflon	2.05270.613 H	2.05280.613 H	6 1/16	3 13/16	3
			Performa Rubber (Conductive/Flat)	Ball	2.05270.445 COND	2.05280.445 COND	6 1/16	3 13/16	3
	1 5/16"	250	Performa Rubber (Conductive/Round)	Ball	2.05270.565 COND	2.05280.565 COND	6 1/16	3 13/16	3
			Performa Rubber (Round)	Delrin	2.05270.561	2.05280.561	6 1/16	3 13/16	3
			Performa Rubber (Round)	Ball	2.05270.565	2.05280.565	6 1/16	3 13/16	3
	1 1/4"	300	Polyolefin	Delrin	2.05270.53	2.05280.53	6 1/16	3 13/16	2 1/2
			Polyolefin	Ball	2.05270.55	2.05280.55	6 1/16	3 13/16	2 1/2
			Polyurethane HI-TECH	Delrin	2.05270.91	2.05280.91	6 1/16	3 13/16	2 1/2
			Polyurethane HI-TECH	Ball	2.05270.95	2.05280.95	6 1/16	3 13/16	2 1/2
			Cast Iron	Sleeve	2.05270.12	2.05280.12	6 1/16	3 13/16	3 3/4
			Performa Rubber (Flat)	Delrin	2.05270.441	2.05280.441	6 1/16	3 13/16	2 3/4
	325	Performa Rubber (Flat)	Ball	2.05270.445	2.05280.445	6 1/16	3 13/16	2 3/4	
		Thermo	Plain	2.05270.52 HT	2.05280.52 HT	6 1/16	3 13/16	3 1/2	

**2 Series**

# 2 Series

- Modular Stem
- Capacity up to 325 lbs each

[www.colsoncaster.com](http://www.colsoncaster.com)



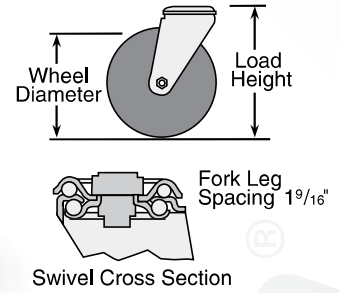
## Standard Features

- Zinc plated finish is attractive and durable
- Full double ball hardened raceways for better performance and greater durability
- 3/8" hollow axle with lock nut
- Grease holes on wheel bearing for greater convenience
- "Colson 45" multi-temp grease lubricates in extreme hot and cold temperatures

## Standard Mounting

- Colson modular stem casters feature a 1/2" hollow rivet which will accept a wide variety of mounting stems (even a standard 1/2" bolt will work)
- You can supply the mounting fasteners or stems – we supply the casters

## Standard Dimensions



## Caster Brake



**Top Lock**  
(See page 15) Available on all swivel models with solid axle only. Field installable (Specify **BRK1**).



**Total Lock**  
(See page 14) Locks wheel and swivel simultaneously. Fits 3 1/2", 4" and 5" swivel models. Field installable (Specify **BRK5**).

## Fork Option



**NSF Listed**  
(See page 3) All models except thread guards and cast iron wheels (Specify **FS1**).

**Swivel Dust Cap**  
(See page 20) Specify **DC1**.

### Axle/Nut Options

- AX1** Zerk Axle (not available with top lock brake)
- AX2** Solid Axle
- NT1** Thick Lock Nut

## Wheel Option

**Thread Guards**  
(See page 114) Available on many models. Specify **TG1** for metal or **TG2** for plastic.

## Wheel Selection



Colson 2 Series Casters • Modular Stem • Capacity to 325 lbs

Wheel Dia.	Tread Width	Capacity Each (Pounds)	Wheel Descriptions	Wheel Bearing	Stem Caster Models	Load Height	Swivel Radius	Weight (Pounds)	
2 1/2"	1 1/4"	125	Performa Rubber (Conductive/Flat)	Ball	2.02250.445 COND	3 3/4	2 13/32	1 1/2	
		140	Performa Rubber (Flat)	Delrin	2.02250.441	3 3/4	2 13/32	1 1/2	
			Performa Rubber (Flat)	Ball	2.02250.445	3 3/4	2 13/32	1 1/2	
		200	Polyolefin	Delrin	2.02250.53	3 3/4	2 13/32	1 1/2	
			Polyolefin	Ball	2.02250.55	3 3/4	2 13/32	1 1/2	
		250	Polyurethane HI-TECH	Delrin	2.02250.91	3 3/4	2 13/32	1 1/4	
	Polyurethane HI-TECH		Ball	2.02250.95	3 3/4	2 13/32	1 1/4		
	1 7/16"	300	Cast Iron	Sleeve	2.02250.12	3 3/4	2 13/32	2	
		300	Phenolic	Roller	2.02250.319	3 3/4	2 13/32	1 1/2	
	3"	1 1/4"	150	Rubber HI-TECH	Plain	2.03350.42	4	2 21/32	2
200			Polyurethane HI-TECH	Plain	2.03350.92	4	2 21/32	2	
			Polyolefin	Delrin	2.03350.52	4	2 21/32	2	
1 15/32"		300	Phenolic	Roller	2.03350.309	4	2 21/32	2 3/4	
3 1/2"	1 5/16"	210	Performa Rubber (Conductive/Round)	Ball	2.03250.565 COND	4 9/16	2 29/32	2	
			Performa Rubber (Round)	Delrin	2.03250.561	4 9/16	2 29/32	2	
			Performa Rubber (Round)	Ball	2.03250.565	4 9/16	2 29/32	2	
	1 1/4"	225	Performa Rubber (Conductive/Flat)	Ball	2.03250.445 COND	4 9/16	2 29/32	1 3/4	
			Polyolefin	Delrin	2.03250.53	4 9/16	2 29/32	1 3/4	
			Polyolefin	Ball	2.03250.55	4 9/16	2 29/32	1 3/4	
		250	Performa Rubber (Flat)	Delrin	2.03250.441	4 9/16	2 29/32	1 3/4	
			Performa Rubber (Flat)	Ball	2.03250.445	4 9/16	2 29/32	1 3/4	
			Polyurethane HI-TECH	Delrin	2.03250.91	4 9/16	2 29/32	1 3/4	
			Polyurethane HI-TECH	Ball	2.03250.95	4 9/16	2 29/32	1 3/4	
	300	Thermo	Plain	2.03250.52 HT	4 9/16	2 29/32	2 3/4		
		Cast Iron	Sleeve	2.03250.12	4 9/16	2 29/32	2 7/8		
	4"	1 1/4"	250	ThermoTech	Teflon	2.04250.613 H	5	3 7/32	3
				Performa Rubber (Conductive/Flat)	Ball	2.04250.445 COND	5	3 7/32	2 1/8
275			Polyolefin	Delrin	2.04250.53	5	3 7/32	2 1/8	
			Polyolefin	Ball	2.04250.55	5	3 7/32	2 1/8	
			Polyurethane HI-TECH	Delrin	2.04250.91	5	3 7/32	1 7/8	
			Polyurethane HI-TECH	Ball	2.04250.95	5	3 7/32	1 7/8	
300			Performa Rubber (Flat)	Delrin	2.04250.441	5	3 7/32	2 1/8	
			Performa Rubber (Flat)	Ball	2.04250.445	5	3 7/32	2 1/8	
		Thermo	Plain	2.04250.52 HT	5	3 7/32	3 1/8		
Cast Iron		Sleeve	2.04250.12	5	3 7/32	3 1/8			
5"		1 1/4"	250	ThermoTech	Teflon	2.05250.613 H	6 1/16	3 13/16	3
				Performa Rubber (Conductive/Flat)	Ball	2.05250.445 COND	6 1/16	3 13/16	2 3/4
		1 5/16"	250	Performa Rubber (Conductive/Round)	Ball	2.05250.565 COND	6 1/16	3 13/16	2 3/4
	Performa Rubber (Round)			Delrin	2.05250.561	6 1/16	3 13/16	2 3/4	
	Performa Rubber (Round)			Ball	2.05250.565	6 1/16	3 13/16	2 3/4	
	1 1/4"	300	Polyolefin	Delrin	2.05250.53	6 1/16	3 13/16	2 1/4	
			Polyolefin	Ball	2.05250.55	6 1/16	3 13/16	2 1/4	
			Polyurethane HI-TECH	Delrin	2.05250.91	6 1/16	3 13/16	2 1/4	
			Polyurethane HI-TECH	Ball	2.05250.95	6 1/16	3 13/16	2 1/4	
		325	Cast Iron	Sleeve	2.05250.12	6 1/16	3 13/16	3 1/2	
			Performa Rubber (Flat)	Delrin	2.05250.441	6 1/16	3 13/16	2 1/2	
		Performa Rubber (Flat)	Ball	2.05250.445	6 1/16	3 13/16	2 1/2		
Thermo	Plain	2.05250.52 HT	6 1/16	3 13/16	3 1/4				

2 Series

# 2 Series

- Top Plate Swivel & Rigid
- Capacity up to 325 lbs each

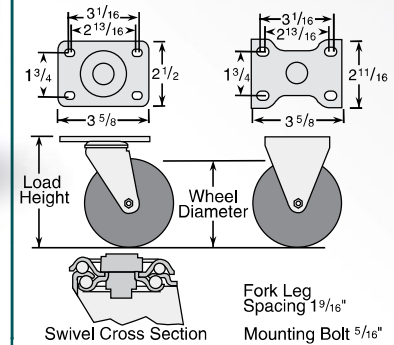
## Standard Features

- Zinc plated finish is attractive and durable
- Full double ball hardened raceways for better performance and greater durability
- 3/8" hollow axle with lock nut
- Grease holes on wheel bearing for greater convenience
- "Colson 45" multi-temp grease lubricates in extreme hot and cold temperatures



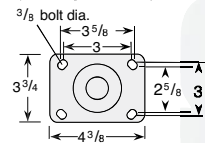
www.colsoncaster.com

## Standard Dimensions

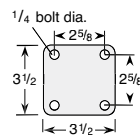


## Optional Top Plates

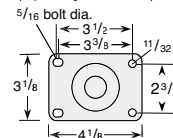
### # 27 Top Plate (Swivel) (Specify MTG27)



### # 35 Top Plate (Swivel) (Specify MTG35)



### # 59 Top Plate (Swivel) (Specify MTG59)



## Caster Brake



**Top Lock**  
(See page 15) Available on all swivel models with solid axle only. Field installable (Specify **BRK1**).



**Total Lock**  
(See page 14) Locks wheel and swivel simultaneously. Fits 3 1/2", 4" and 5" swivel models. Field installable (Specify **BRK5**).



**Directional Lock**  
(See page 16) Available with standard top plate only. For optional top plates, consult factory. To order with caster, change 4th digit to "1" (Example: 2.05156.91).

Note: No Dust Cap Available.

## Fork Option



**NSF Listed**  
(See page 3) All models except thread guards and cast iron wheels (Specify **FSI**).

**Swivel Dust Cap**  
(See page 20) Specify **DC1**.

### Axle/Nut Options

**AX1** Zerk Axle (not available with top lock brake)

**AX2** Solid Axle

**NT1** Thick Lock Nut

## Wheel Option

**Thread Guards**  
(See page 114) Available on many models. Specify **TG1** for metal or **TG2** for plastic.

## Wheel Selection

Perma Flat Tread



Perma Round Tread



Perma Conductive Flat



Perma Conductive Round



Polyolefin



Thermo



ThermoTech



Polyurethane HI-TECH



Cast Iron



Rubber HI-TECH



Phenolic



Colson 2 Series Casters • Top Plate Swivel & Rigid • Capacity to 325 lbs

Wheel Dia.	Tread Width	Capacity Each (Pounds)	Wheel Descriptions	Wheel Bearing	Swivel Top Plate Caster Models	Rigid Top Plate Caster Models	Load Height	Swivel Radius	Weight (Pounds)
2 1/2"	1 1/4"	125	Performa Rubber (Conductive/Flat)	Ball	2.02256.445 COND	2.02208.445 COND	3 7/8	2 13/32	1 5/8
		140	Performa Rubber (Flat)	Delrin	2.02256.441	2.02208.441	3 7/8	2 13/32	1 5/8
			Performa Rubber (Flat)	Ball	2.02256.445	2.02208.445	3 7/8	2 13/32	1 5/8
		200	Polyolefin	Delrin	2.02256.53	2.02208.53	3 7/8	2 13/32	1 5/8
			Polyolefin	Ball	2.02256.55	2.02208.55	3 7/8	2 13/32	1 5/8
	250	Polyurethane HI-TECH	Delrin	2.02256.91	2.02208.91	3 7/8	2 13/32	1 5/8	
		Polyurethane HI-TECH	Ball	2.02256.95	2.02208.95	3 7/8	2 13/32	1 5/8	
300	Cast Iron	Sleeve	2.02256.12	2.02208.12	3 7/8	2 13/32	2		
1 7/16"	300	Phenolic	Roller	2.02256.319	2.02208.319	3 7/8	2 13/32	1 5/8	
3"	1 1/4"	150	Rubber HI-TECH	Plain	2.03356.42	2.03308.42	4 1/8	2 21/32	2
		200	Polyurethane HI-TECH	Plain	2.03356.92	2.03308.92	4 1/8	2 21/32	2
			Polyolefin	Delrin	2.03356.52	2.03308.52	4 1/8	2 21/32	2
	1 15/32"	300	Phenolic	Roller	2.03356.309	2.03308.309	4 1/8	2 21/32	2 3/4
3 1/2"	1 5/16"	210	Performa Rubber (Conductive/Round)	Ball	2.03256.565 COND	2.03208.565 COND	4 11/16	2 29/32	2 1/4
			Performa Rubber (Round)	Delrin	2.03256.561	2.03208.561	4 11/16	2 29/32	2 1/4
			Performa Rubber (Round)	Ball	2.03256.565	2.03208.565	4 11/16	2 29/32	2 1/4
	1 1/4"	225	Performa Rubber (Conductive/Flat)	Ball	2.03256.445 COND	2.03208.445 COND	4 11/16	2 29/32	2
			Polyolefin	Delrin	2.03256.53	2.03208.53	4 11/16	2 29/32	1 7/8
		230	Polyolefin	Ball	2.03256.55	2.03208.55	4 11/16	2 29/32	1 7/8
			250	Performa Rubber (Flat)	Delrin	2.03256.441	2.03208.441	4 11/16	2 29/32
		Performa Rubber (Flat)		Ball	2.03256.445	2.03208.445	4 11/16	2 29/32	2
		Polyurethane HI-TECH		Delrin	2.03256.91	2.03208.91	4 11/16	2 29/32	1 7/8
	300	Polyurethane HI-TECH	Ball	2.03256.95	2.03208.95	4 11/16	2 29/32	1 7/8	
		Thermo	Plain	2.03256.52 HT	2.03208.52 HT	4 11/16	2 29/32	2 7/8	
		Cast Iron	Sleeve	2.03256.12	2.03208.12	4 11/16	2 29/32	3	
4"	1 1/4"	250	ThermoTech	Teflon	2.04256.613 H	2.04208.613 H	5 1/8	3 7/32	3
			Performa Rubber (Conductive/Flat)	Ball	2.04256.445 COND	2.04208.445 COND	5 1/8	3 7/32	2 1/4
		275	Polyolefin	Delrin	2.04256.53	2.04208.53	5 1/8	3 7/32	2 1/8
			Polyolefin	Ball	2.04256.55	2.04208.55	5 1/8	3 7/32	2 1/8
			Polyurethane HI-TECH	Delrin	2.04256.91	2.04208.91	5 1/8	3 7/32	2 1/8
			Polyurethane HI-TECH	Ball	2.04256.95	2.04208.95	5 1/8	3 7/32	2 1/8
	300	Performa Rubber (Flat)	Delrin	2.04256.441	2.04208.441	5 1/8	3 7/32	2 1/4	
		Performa Rubber (Flat)	Ball	2.04256.445	2.04208.445	5 1/8	3 7/32	2 1/4	
		Thermo	Plain	2.04256.52 HT	2.04208.52 HT	5 1/8	3 7/32	3 1/8	
		Cast Iron	Sleeve	2.04256.12	2.04208.12	5 1/8	3 7/32	3 3/8	
5"	1 1/4"	250	ThermoTech	Teflon	2.05256.613 H	2.05208.613 H	6 3/16	3 13/16	3
			Performa Rubber (Conductive/Flat)	Ball	2.05256.445 COND	2.05208.445 COND	6 3/16	3 13/16	3
	1 5/16"	250	Performa Rubber (Conductive/Round)	Ball	2.05256.565 COND	2.05208.565 COND	6 3/16	3 13/16	3
			Performa Rubber (Round)	Delrin	2.05256.561	2.05208.561	6 3/16	3 13/16	3
			Performa Rubber (Round)	Ball	2.05256.565	2.05208.565	6 3/16	3 13/16	3
	1 1/4"	300	Polyolefin	Delrin	2.05256.53	2.05208.53	6 3/16	3 13/16	2 1/2
			Polyolefin	Ball	2.05256.55	2.05208.55	6 3/16	3 13/16	2 1/2
			Polyurethane HI-TECH	Delrin	2.05256.91	2.05208.91	6 3/16	3 13/16	2 1/2
			Polyurethane HI-TECH	Ball	2.05256.95	2.05208.95	6 3/16	3 13/16	2 1/2
		325	Cast Iron	Sleeve	2.05256.12	2.05208.12	6 3/16	3 13/16	3 3/4
			Performa Rubber (Flat)	Delrin	2.05256.441	2.05208.441	6 3/16	3 13/16	2 3/4
	325	Performa Rubber (Flat)	Ball	2.05256.445	2.05208.445	6 3/16	3 13/16	2 3/4	
Thermo		Plain	2.05256.52 HT	2.05208.52 HT	6 3/16	3 13/16	3 1/2		

6" forks available. Consult factory.

2 Series

# 2 Series

- Stainless Steel Top Plate Swivel & Rigid
- Capacity up to 325 lbs each

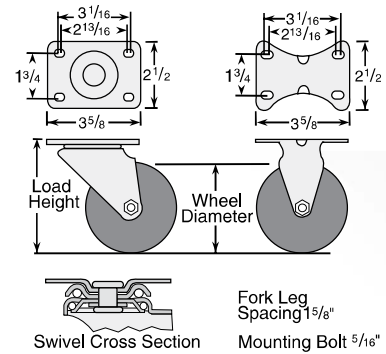
## Standard Features

- Polished 304 grade stainless steel finish handles the most punishing, corrosive conditions
- Double ball raceways for better performance and greater durability
- All component parts, including spanner bushing, axle and nut are stainless steel
- Designed to perform in the most hostile environments
- If rust is a problem... Colson stainless steel is the solution



www.colsoncaster.com

## Standard Dimensions



## Colson 2 Series Casters • Stainless Steel Top Plate Swivel & Rigid • Capacity to 325 lbs

Wheel Dia.	Tread Width	Capacity Each (Pounds)	Wheel Descriptions	Wheel Bearing	Swivel Top Plate Caster Models	Rigid Top Plate Caster Models	Load Height	Swivel Radius	Weight (Pounds)	
3"	1 1/4"	150	Rubber HI-TECH	Plain	2.33456.42	2.33408.42	4 1/8	3 1/8	1 5/8	
		200	Polyolefin	Delrin	2.33456.544	2.33408.544	4 1/8	3 1/8	1 5/8	
			Polyurethane HI-TECH	Plain	2.33456.944	2.33408.944	4 1/8	3 1/8	1 5/8	
3 1/2"	1 1/4"	250	Polyolefin	Delrin	2.03456.544	2.03408.544	4 1/16	3 3/8	1 5/8	
			Polyurethane HI-TECH	Delrin	2.03456.944	2.03408.944	4 1/16	3 3/8	1 7/8	
			Performa Rubber (Flat)	Delrin	2.03456.444	2.03408.444	4 1/16	3 3/8	1 3/4	
	1 5/16"	300	Thermo	Plain	2.03456.52 HT	2.03408.52 HT	4 1/16	3 3/8	1 5/8	
		210	Performa Rubber (Round)	Delrin	2.03456.564	2.03408.564	4 1/16	3 3/8	1 3/4	
4"	1 1/4"	250	ThermoTech	Teflon	2.04456.613 H	2.04408.613 H	5 1/8	3 5/16	3	
			Polyolefin	Delrin	2.04456.544	2.04408.544	5 1/8	3 5/16	2 1/8	
		275	Polyurethane HI-TECH	Delrin	2.04456.944	2.04408.944	5 1/8	3 5/16	2 1/8	
			300	Performa Rubber (Flat)	Delrin	2.04456.444	2.04408.444	5 1/8	3 5/16	2 1/4
				Thermo	Plain	2.04456.52 HT	2.04408.52 HT	5 1/8	3 5/16	2 1/4
5"	1 1/4"	250	ThermoTech	Teflon	2.05456.613 H	2.05408.613 H	6 3/16	4 1/16	3	
			Polyolefin	Delrin	2.05456.544	2.05408.544	6 3/16	4 1/16	2 5/8	
		300	Polyurethane HI-TECH	Delrin	2.05456.944	2.05408.944	6 3/16	4 1/16	2 5/8	
			Performa Rubber (Flat)	Delrin	2.05456.444	2.05408.444	6 3/16	4 1/16	2 3/4	
	1 5/16"	250	Thermo	Plain	2.05456.52 HT	2.05408.52 HT	6 3/16	4 1/16	2 3/4	
			Performa Rubber (Round)	Delrin	2.05456.564	2.05408.564	6 3/16	4 1/16	2 3/4	

**Hollow King Pin:** For hollow king pin on swivel casters only, change 6th digit to "0" (Example: 2.04450.613 H). Consult factory for 6" sizes.

## Caster Brake



**Top Lock**  
(See page 15) Available on all 3" swivel models. Not recommended for high-temp applications. Field installable (Specify **BRK1**).

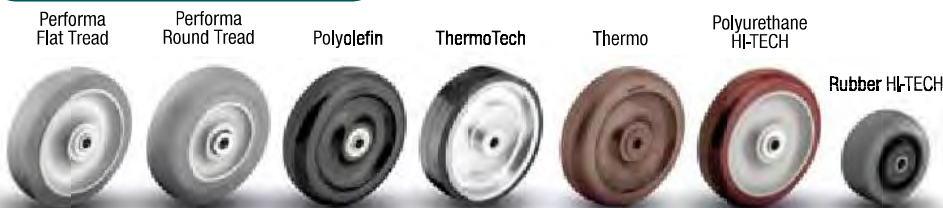


**Tech Lock**  
(See page 15) Available on 4" and 5" swivel models. Field installable (Specify **BRK2**).



**Total Lock**  
(See page 15) Riveted design is not field installable. Locks wheel and swivel. Available on all swivel models (Specify **BRK4**).

## Wheel Selection



## Fork Option



**NSF Listed**  
(See page 3) Available on all models (Specify **FS1**).

# 2 Series

- LoPro Top Plate Swivel & Rigid
- Capacity up to 210 lbs each

www.colsoncaster.com

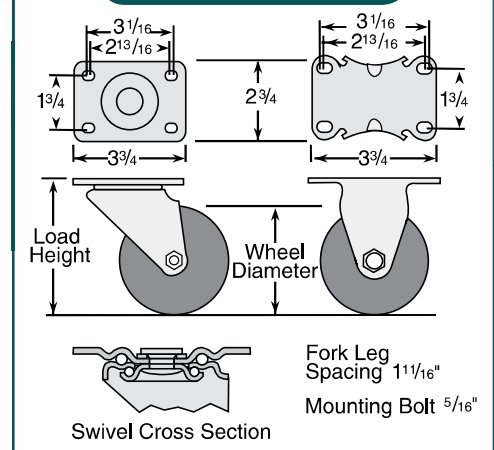
2 Series

## Standard Features

- Zinc plated finish is attractive and durable
- Heat treated full double ball hardened raceways
- Low profile design offers low load height and quick swivel response
- Ideal for business machines, stock picking carts, warehouse dollies and housekeeping carts
- Thread guards standard on all models, but are not available with 3" brake option



## Standard Dimensions



## Colson 2 Series LoPro Top Plate Swivel & Rigid • Capacity to 210 lbs

Wheel Dia.	Tread Width	Capacity Each (Pounds)	Wheel Descriptions	Wheel Bearing	Swivel Top Plate Caster Models	Rigid Top Plate Caster Models	Load Height	Swivel Radius	Weight (Pounds)
2 1/2"	1 1/8"	120	Cushion Rubber	Nylon*	2.02689.44	2.02688.44	3 <sup>5</sup> / <sub>16</sub>	2 <sup>3</sup> / <sub>8</sub>	1
		175	Hard Rubber	Nylon*	2.02689.54	2.02688.54	3 <sup>5</sup> / <sub>16</sub>	2 <sup>3</sup> / <sub>8</sub>	1
3"	1 1/4"	125	Cushion Rubber	Nylon*	2.03689.44	2.03688.44	3 <sup>13</sup> / <sub>16</sub>	2 <sup>11</sup> / <sub>16</sub>	1 1/2
		210	Hard Rubber	Nylon*	2.03689.54	2.03688.54	3 <sup>13</sup> / <sub>16</sub>	2 <sup>11</sup> / <sub>16</sub>	1 1/2

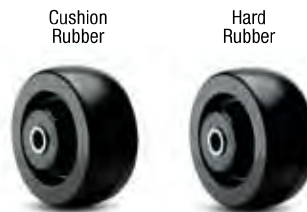
\*Nylon bearing with powdered metal bushing.

## Caster Brake



**Side Lock**  
(See page 16) Easy to engage and disengage with a touch of the pedal (3" models only). To order specify **BRK3**.

## Wheel Selection





# G Light Duty Casters Series

- Top Plate Swivel and Rigid
- Capacity to 350 lbs

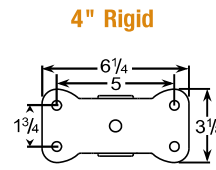
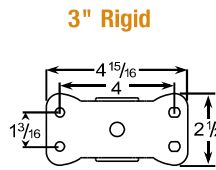
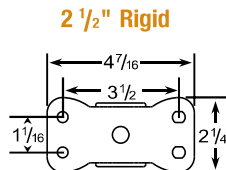
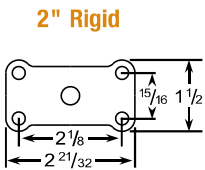
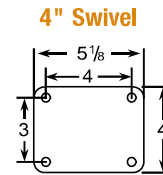
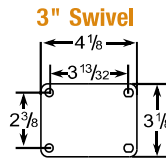
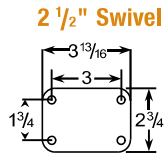
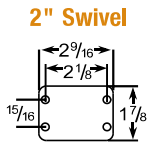
[www.colsoncaster.com](http://www.colsoncaster.com)

## Standard Features

- Zinc plated finish is attractive and durable
- Single ball hardened raceway riveted and coined for superior durability
- Nickel plated rivet helps prevent binding
- Standard models feature riveted axle, brake models feature nut and bolt
- All models NSF approved and RoHS compliant



## Standard Dimensions

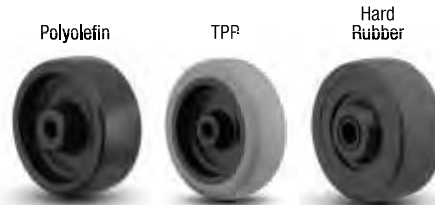


## Caster Brake



**Side Lock**  
 (See page 16) Available on all GDP swivel model casters. Brake is not field installable. To order with caster, add "001" to the end of the part number (Example: GDP0456152**001**).

## Wheel Selection



COLSON®

**G Series Light Duty Casters • Top Plate Swivel and Rigid • Capacity to 350 lbs**

Wheel Dia.	Tread Width	Capacity Each (Pounds)	Wheel Descriptions	Wheel Bearing	Swivel Top Plate Models	Rigid Top Plate Models	Load Height	Swivel Radius	Weight (Pounds)	Swivel Plate Size	Rigid Plate Size
2"	3/4"	90	TPR	Plain	GDP0256142	GDP0208142	2 1/2"	1 11/16"	1/2	1 7/8" x 2 9/16" Bolt holes: 15/16" x 2 1/8" Mtg. bolt: 1/4"	1 1/2" x 2 21/32" Bolt holes: 15/16" x 2 1/8" Mtg. bolt: 1/4"
	1"	150	Hard Rubber	Plain	GDP02561652	GDP02081652	2 1/2"	1 11/16"	1/2	1 7/8" x 2 9/16" Bolt holes: 15/16" x 2 1/8" Mtg. bolt: 1/4"	1 1/2" x 2 21/32" Bolt holes: 15/16" x 2 1/8" Mtg. bolt: 1/4"
			Polyolefin	Plain	GDP0256152	GDP0208152	2 1/2"	1 11/16"	1/2	1 7/8" x 2 9/16" Bolt holes: 15/16" x 2 1/8" Mtg. bolt: 1/4"	1 1/2" x 2 21/32" Bolt holes: 15/16" x 2 1/8" Mtg. bolt: 1/4"
2 1/2"	1 1/8"	200	Hard Rubber	Plain	GDP25561652	GDP25081652	3 3/16"	2 1/4"	3/4	2 3/4" x 3 13/16" Bolt holes: 1 3/4" x 3" Mtg. bolt: 5/16"	2 1/4" x 4 7/16" Bolt holes: 1 1/16" x 3 1/2" Mtg. bolt: 5/16"
			Polyolefin	Plain	GDP2556152	GDP2508152	3 3/16"	2 1/4"	3/4	2 3/4" x 3 13/16" Bolt holes: 1 3/4" x 3" Mtg. bolt: 5/16"	2 1/4" x 4 7/16" Bolt holes: 1 1/16" x 3 1/2" Mtg. bolt: 5/16"
3"	1 1/4"	180	TPR	Plain	GDP3356142	GDP3308142	3 13/16"	2 3/8"	1 1/4	3 1/8" x 4 1/8" Bolt holes: 2 3/8" x 3 3/8" Mtg. bolt: 5/16"	2 1/2" x 4 5/16" Bolt holes: 1 3/16" x 4" Mtg. bolt: 5/16"
		270	Hard Rubber	Plain	GDP33561652	GDP33081652	3 13/16"	2 3/8"	1 1/4	3 1/8" x 4 1/8" Bolt holes: 2 3/8" x 3 3/8" Mtg. bolt: 5/16"	2 1/2" x 4 5/16" Bolt holes: 1 3/16" x 4" Mtg. bolt: 5/16"
			Polyolefin	Plain	GDP3356152	GDP3308152	3 13/16"	2 3/8"	1 1/4	3 1/8" x 4 1/8" Bolt holes: 2 3/8" x 3 3/8" Mtg. bolt: 5/16"	2 1/2" x 4 5/16" Bolt holes: 1 3/16" x 4" Mtg. bolt: 5/16"
4"	1 5/16"	350	Hard Rubber	Plain	GDP04561652	GDP04081652	5"	3 3/16"	3	4" x 5 1/8" Bolt holes: 3" x 4" Mtg. bolt: 3/8"	3 1/8" x 6 1/4" Bolt holes: 1 3/4" x 5" Mtg. bolt: 3/8"
			Polyolefin	Plain	GDP0456152	GDP0408152	5"	3 3/16"	3	4" x 5 1/8" Bolt holes: 3" x 4" Mtg. bolt: 3/8"	3 1/8" x 6 1/4" Bolt holes: 1 3/4" x 5" Mtg. bolt: 3/8"

**G Series**

